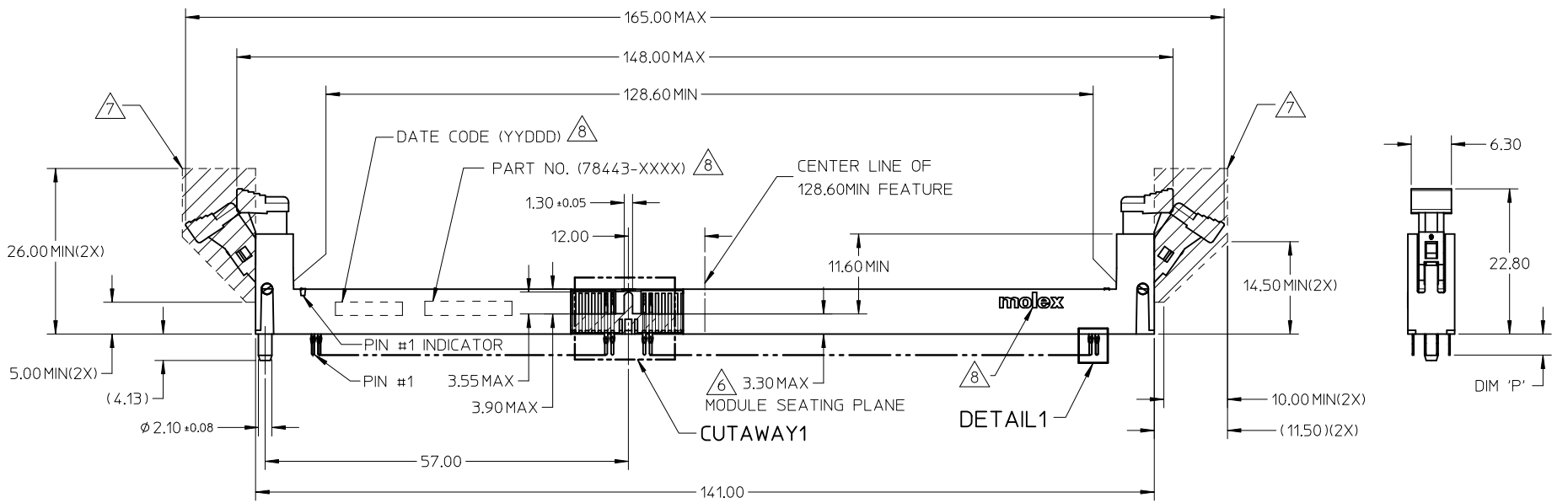
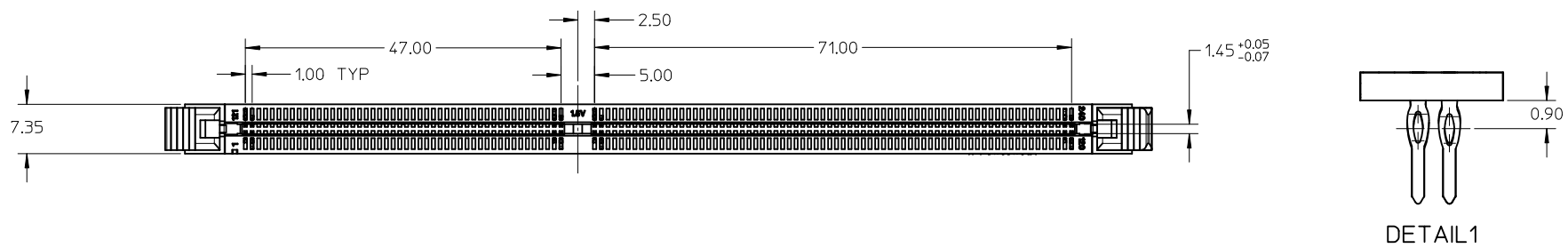


10 9 8 7 6 5 4 3 2 1

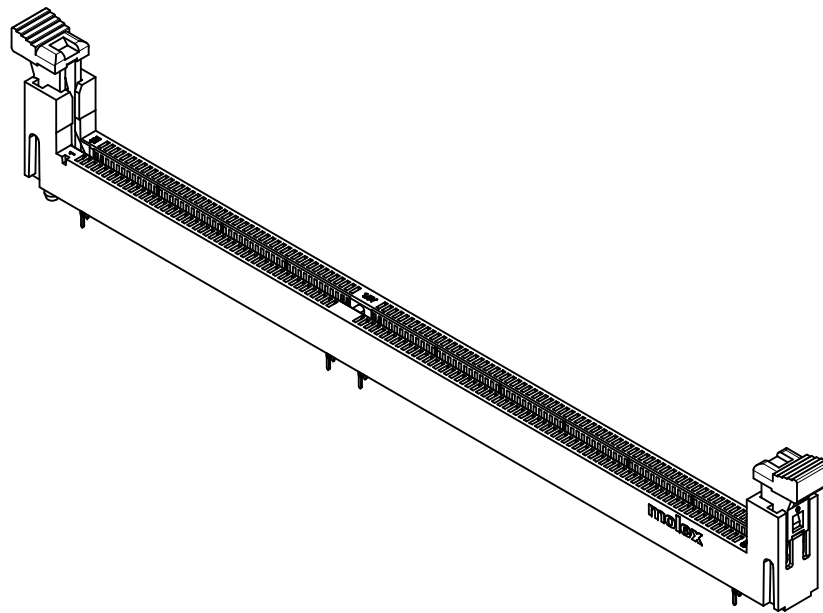
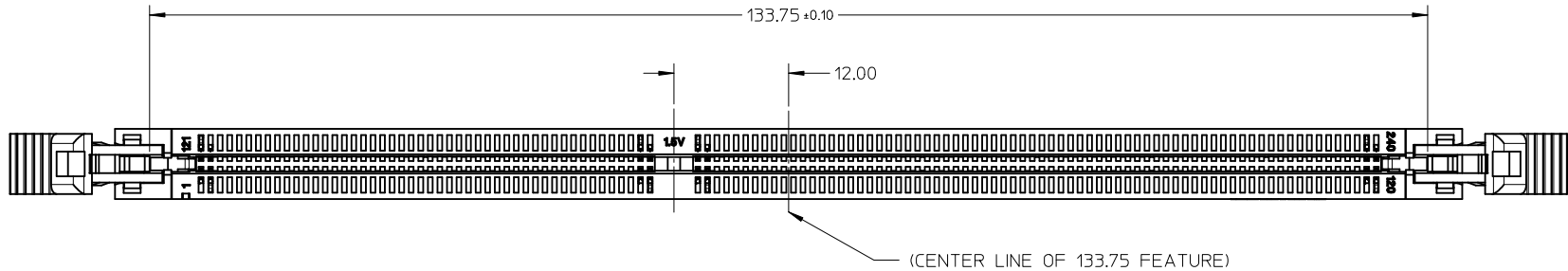


- NOTES:
- MATERIALS
HOUSING - HIGH TEMP NYLON GLASS FILLED, UL 94V-0, COLOUR - BLACK
LATCH - HIGH TEMP NYLON, COLOUR - BLACK
- POLYSULFONE, UL 94HB - CLEAR
TERMINAL - PHOSPHOR BRONZE
 - PLATING - SEE TABLE IN SHEET 4.
 - REFER TO PRODUCT SPEC. PS-78443-001 FOR PERFORMANCE SPECIFICATIONS.
 - PRODUCT SHALL BE PACKED IN TRAY.
 - CARD SLOT ACCEPTS 1.27±0.10MM MODULE THICKNESS. (MEASURED FROM P.C.PADS).
- 6 MODULE SEATING PLANE FROM TOP OF PCB.
 7 KEEP OUT ZONE RESERVED FOR LATCH.
 8 MOLEX LOGO, DATE & PART NO. INDICATED ON HOUSING.

FINAL RELEASE EC NO: S2010-0504 DRWN:CGTAN 2009/12/31 CHKD:CCTEH 2009/12/31 APPR:SHLENI 2009/12/31	DESCRIPTION A	QUALITY SYMBOLS	GENERAL TOLERANCES (UNLESS SPECIFIED)		DIMENSION STYLE	SCALE	DESIGN UNITS	THIRD ANGLE PROJECTION
		$F_A=0$ $F_G=0$ $F_P=0$	mm	INCH	MM ONLY	NTS	METRIC	<input checked="" type="checkbox"/> THIRD ANGLE <input type="checkbox"/> PROJECTION
		4 PLACES ± --- ± --- 3 PLACES ± --- ± --- 2 PLACES ± 0.2 ± --- 1 PLACE ± --- ± --- ANGULAR ± 1 °	DRAWN BY DATE		TITLE			
		DRAFT WHERE APPLICABLE MUST REMAIN WITHIN DIMENSIONS	CMTEO 2008/06/19	DDR3 DIMM, 100MM PITCH 240 CKTS, VERT PRESS-FIT LOW-LLCR				
			CHECKED BY DATE		MATERIAL NO.		DOCUMENT NO.	
			CGTAN 2008/07/25		SEE TABLE		SD-78443-001	
			APPROVED BY DATE		SIZE		SHEET NO.	
			CGTAN 2008/07/25		A3		1 OF 6	
THIS DRAWING CONTAINS INFORMATION THAT IS PROPRIETARY TO MOLEX INCORPORATED AND SHOULD NOT BE USED WITHOUT WRITTEN PERMISSION								

9 8 7 6 5 4 3 2 1

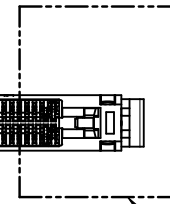
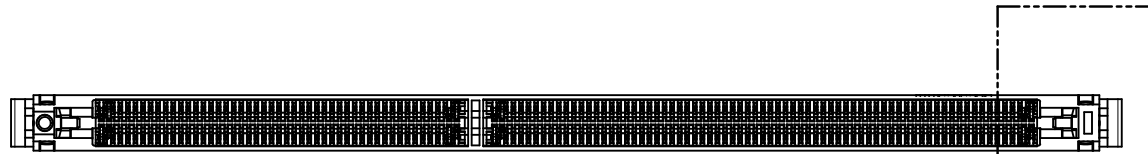
10 9 8 7 6 5 4 3 2 1



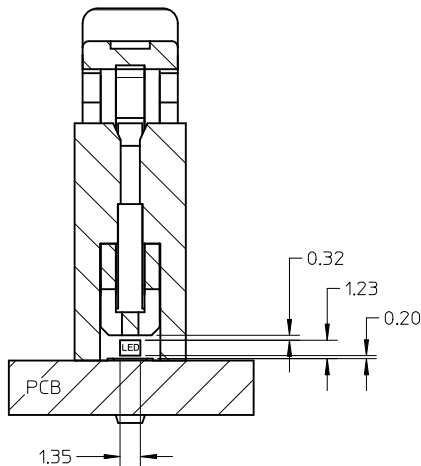
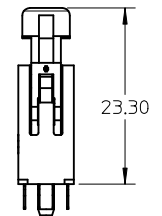
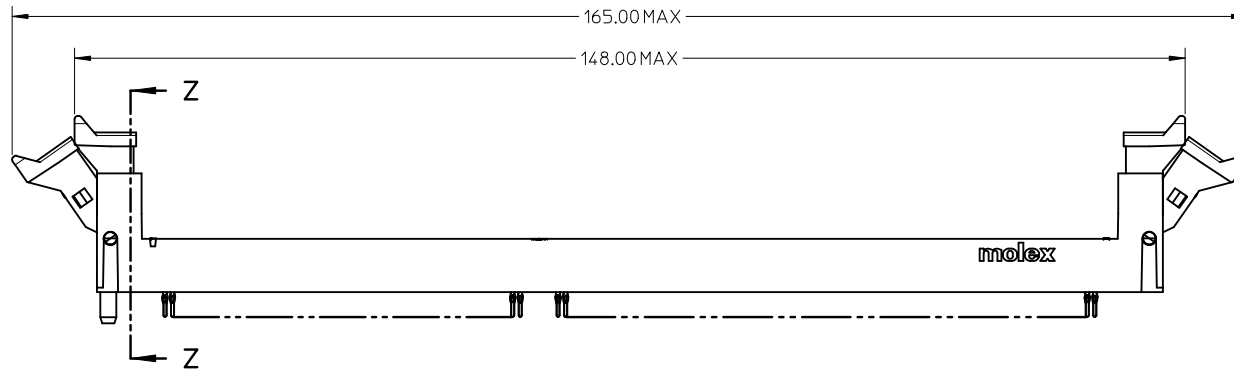
FINAL RELEASE EC NO: S2010-0504 DRWN:CGTAN 2009/12/31 CHKD:CCTEH 2009/12/31 APPR:SHLENI 2009/12/31	QUALITY SYMBOLS $\nabla_A = 0$ $\nabla_C = 0$ $\nabla_P = 0$	GENERAL TOLERANCES (UNLESS SPECIFIED) <table border="1"> <thead> <tr> <th></th> <th>mm</th> <th>INCH</th> </tr> </thead> <tbody> <tr> <td>4 PLACES</td> <td>± ---</td> <td>± ---</td> </tr> <tr> <td>3 PLACES</td> <td>± ---</td> <td>± ---</td> </tr> <tr> <td>2 PLACES</td> <td>± 0.2</td> <td>± ---</td> </tr> <tr> <td>1 PLACE</td> <td>± ---</td> <td>± ---</td> </tr> </tbody> </table>		mm	INCH	4 PLACES	± ---	± ---	3 PLACES	± ---	± ---	2 PLACES	± 0.2	± ---	1 PLACE	± ---	± ---	DIMENSION STYLE MM ONLY	SCALE NTS	DESIGN UNITS METRIC	THIRD ANGLE PROJECTION
		mm	INCH																		
	4 PLACES	± ---	± ---																		
	3 PLACES	± ---	± ---																		
2 PLACES	± 0.2	± ---																			
1 PLACE	± ---	± ---																			
DESCRIPTION DRIFT WHERE APPLICABLE MUST REMAIN WITHIN DIMENSIONS	DRAWN BY CMTEO	DATE 2008/06/19	TITLE DDR3 DIMM, 1.00MM PITCH 240 CKTS, VERT PRESS-FIT LOW-LLCR	MOLEX INCORPORATED																	
REV A	ANGULAR ± 1 °	CHECKED BY CGTAN	DATE 2008/07/25	APPROVED BY CGTAN	DATE 2008/07/25	MATERIAL NO. SEE TABLE															
				DOCUMENT NO. SD-78443-001	SHEET NO. 2 OF 6	THIS DRAWING CONTAINS INFORMATION THAT IS PROPRIETARY TO MOLEX INCORPORATED AND SHOULD NOT BE USED WITHOUT WRITTEN PERMISSION															

9 8 7 6 5 4 3 2 1

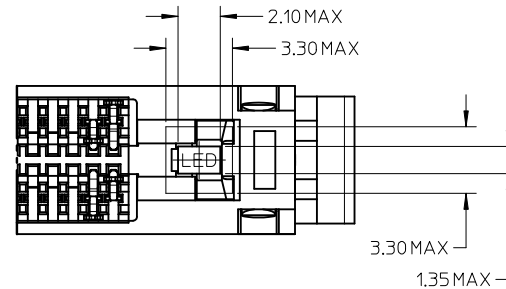
CONNECTOR WITH CLEAR LATCH



DETAIL2



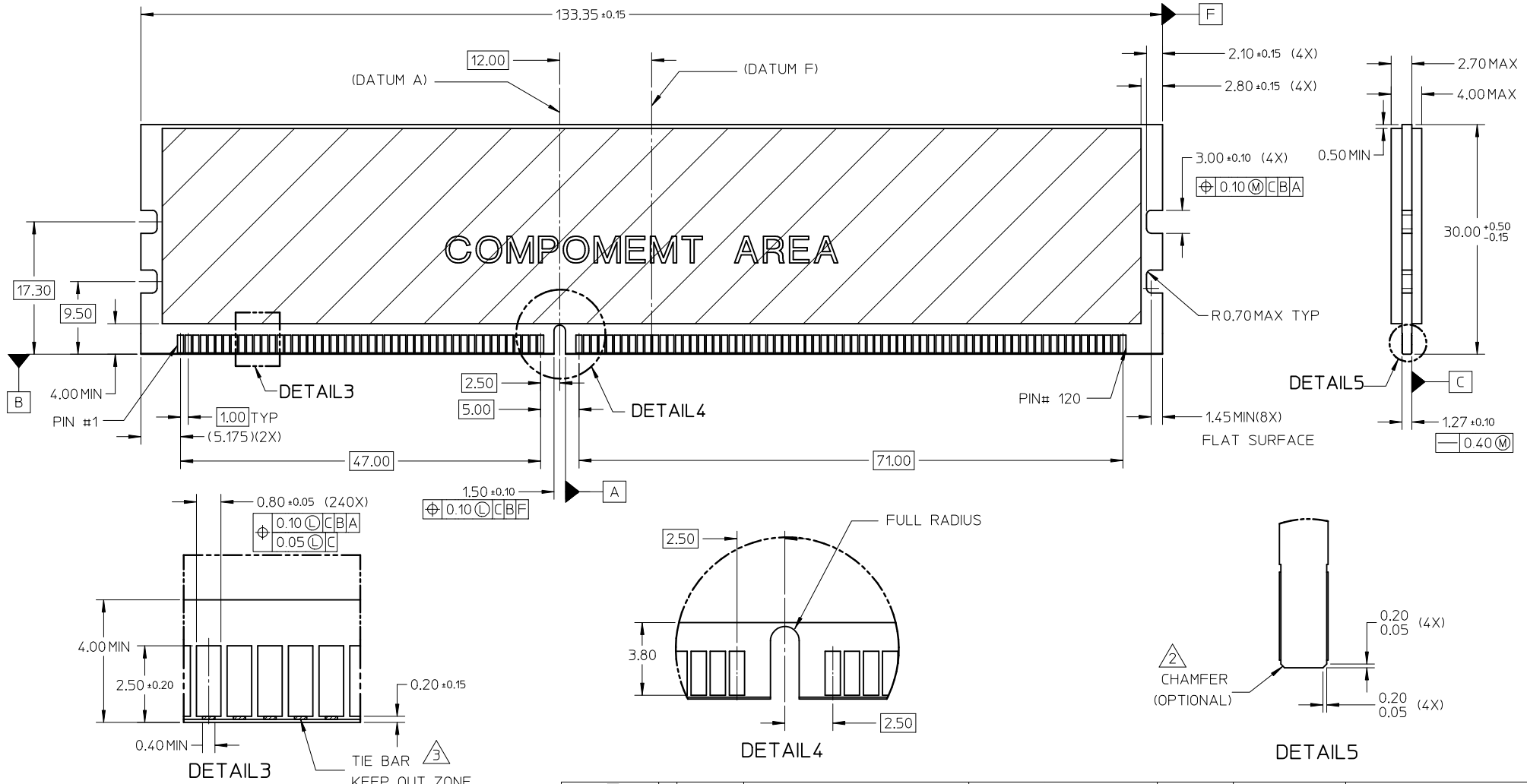
SECTION Z-Z



DETAIL2

FINAL RELEASE EC NO: S2010-0504 DRWN:CGTAN 2009/12/31 CHKD:CCTEH 2009/12/31 APPR:SHLENI 2009/12/31	QUALITY SYMBOLS $\nabla_A=0$ $\nabla_C=0$ $\nabla_P=0$	GENERAL TOLERANCES (UNLESS SPECIFIED) mm INCH 4 PLACES \pm --- \pm --- 3 PLACES \pm --- \pm --- 2 PLACES \pm 0.2 \pm --- 1 PLACE \pm --- \pm --- ANGULAR \pm 1°	DIMENSION STYLE MM ONLY DRAWN BY DATE CMTEO 2008/06/19 CHECKED BY DATE CGTAN 2008/07/25 APPROVED BY DATE CGTAN 2008/07/25	SCALE NTS DESIGN UNITS METRIC THIRD ANGLE PROJECTION	TITLE DDR3 DIMM, 100MM PITCH 240 CKTS, VERT PRESS-FIT LOW-LLCR
	DRAFT WHERE APPLICABLE MUST REMAIN WITHIN DIMENSIONS	MATERIAL NO. SEE TABLE	DOCUMENT NO. SD-78443-001	SHEET NO. 3 OF 6	
	SIZE A3	THIS DRAWING CONTAINS INFORMATION THAT IS PROPRIETARY TO MOLEX INCORPORATED AND SHOULD NOT BE USED WITHOUT WRITTEN PERMISSION			
	REV A				

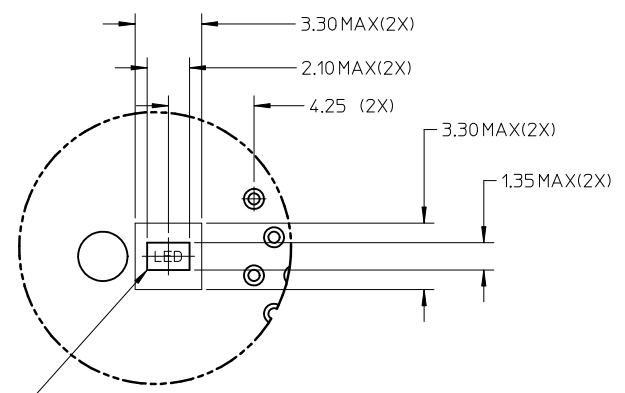
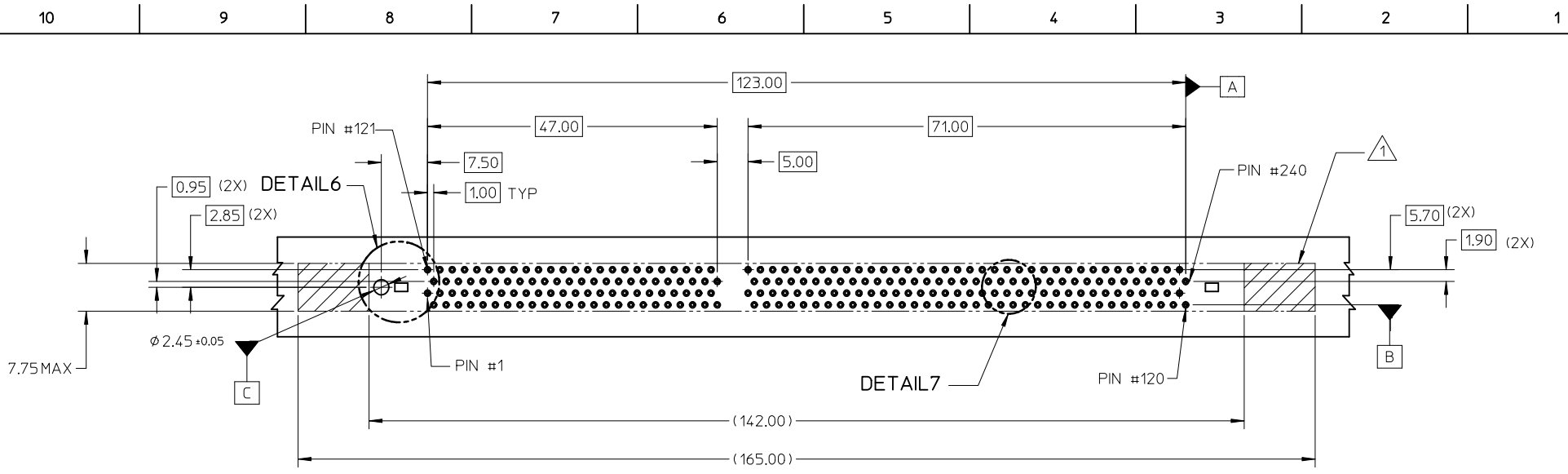
MODULE CARD
 DDR3 DUAL IN-LINE MEMORY MODULE FAMILY 1.00MM CONTACT CENTERS
 (JEDEC MO-269, ISSUE A, 12/05)



NOTES:

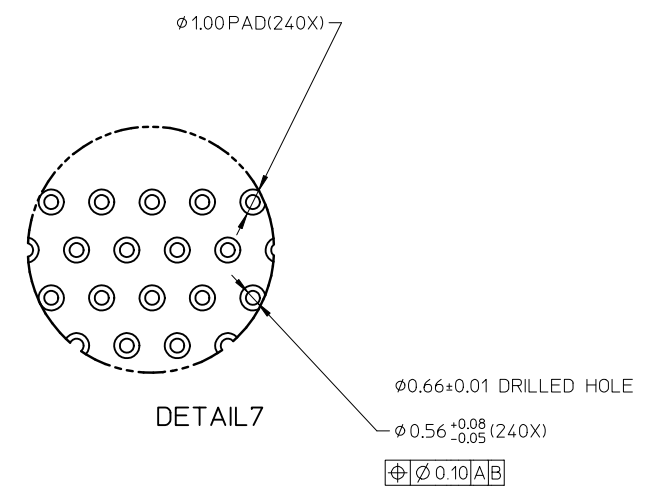
- RECOMMENDED PLATING FOR CONTACT PADS:
 PREFERRED: 0.76 MICROMETERS GOLD PLATING MIN
 OVER 2.00 MICROMETERS NICKEL
 ALTERNATIVE: 0.05-0.75 MICROMETERS GOLD PLATING
 OVER 2.00 MICROMETERS NICKEL MUST USE AN ELECTRONIC
 CONTACT GRADE CORROSIVE BARRIER LUBRICANT
- CHAMFER IS OPTIONAL AND IS NOT TO HIT THE GOLD PADS
- LEADING EDGE OF GOLD PADS SPECIFIED BY KEEPOUT ZONE
 SHALL BE FREE OF BURRS AND EXTERNAL TIE BARS.

FINAL RELEASE EC NO: S2010-0504 2009/12/31 DRWN:CGTAN CHKD:CCTEH APPR:SIJENI 2009/12/31	QUALITY SYMBOLS $\nabla_A=0$ $\nabla_B=0$ $\nabla_C=0$	GENERAL TOLERANCES (UNLESS SPECIFIED)		DIMENSION STYLE	SCALE	DESIGN UNITS	THIRD ANGLE PROJECTION	
		mm	INCH	MM ONLY	NTS	METRIC		
		4 PLACES	± ---	± ---	DRAWN BY	DATE	TITLE	
		3 PLACES	± ---	± ---	CMTEO	2008/06/19	DDR3 DIMM, 100MM PITCH 240 CKTS, VERT PRESS-FIT LOW-LLCR	
			2 PLACES	± 0.2	± ---	APPROVED BY	DATE	
			1 PLACE	± ---	± ---	CGTAN	2008/07/25	
			ANGULAR ± 1 °		MATERIAL NO.		DOCUMENT NO.	
			DRAFT WHERE APPLICABLE MUST REMAIN WITHIN DIMENSIONS		SEE TABLE		SHEET NO.	
			SIZE	THIS DRAWING CONTAINS INFORMATION THAT IS PROPRIETARY TO MOLEX INCORPORATED AND SHOULD NOT BE USED WITHOUT WRITTEN PERMISSION			4 OF 6	
			A3	MOLEX INCORPORATED			SD-78443-001	



'LED' IS FOR CLEAR LATCH VERION ONLY

DETAIL6



DETAIL7

NOTE:
 1 KEEP OUT AREA IS THE AREA WHERE THE CONNECTOR (INCLUDING LATCH) IS MOUNTED ON THE PCB.

FINAL RELEASE EC NO: S2010-0504 DRWN:CGTAN 2009/12/31 CHKD:CCTEH 2009/12/31 APPR:SHLENI 2009/12/31	DESCRIPTION A	QUALITY SYMBOLS	GENERAL TOLERANCES (UNLESS SPECIFIED)		DIMENSION STYLE MM ONLY		SCALE NTS	DESIGN UNITS METRIC	THIRD ANGLE PROJECTION																		
		$F_A=0$ $F_G=0$ $F_P=0$	<table border="1"> <thead> <tr> <th></th> <th>mm</th> <th>INCH</th> </tr> </thead> <tbody> <tr> <td>4 PLACES</td> <td>± ---</td> <td>± ---</td> </tr> <tr> <td>3 PLACES</td> <td>± ---</td> <td>± ---</td> </tr> <tr> <td>2 PLACES</td> <td>± 0.2</td> <td>± ---</td> </tr> <tr> <td>1 PLACE</td> <td>± ---</td> <td>± ---</td> </tr> </tbody> </table>		mm	INCH	4 PLACES	± ---	± ---	3 PLACES	± ---	± ---	2 PLACES	± 0.2	± ---	1 PLACE	± ---	± ---	ANGULAR ± 1 °		DRAWN BY CMTEO	DATE 2008/06/19	TITLE DDR3 DIMM, 100MM PITCH 240 CKTS, VERT PRESS-FIT LOW-LLCR				
			mm	INCH																							
		4 PLACES	± ---	± ---																							
3 PLACES	± ---	± ---																									
2 PLACES	± 0.2	± ---																									
1 PLACE	± ---	± ---																									
DRAFT WHERE APPLICABLE MUST REMAIN WITHIN DIMENSIONS			SEE TABLE		APPROVED BY CGTAN	DATE 2008/07/25	MOLEX INCORPORATED																				
					MATERIAL NO.	DOCUMENT NO. SD-78443-001																					
					SIZE A3	THIS DRAWING CONTAINS INFORMATION THAT IS PROPRIETARY TO MOLEX INCORPORATED AND SHOULD NOT BE USED WITHOUT WRITTEN PERMISSION																					
							SHEET NO. 5 OF 6																				

TIN OPTION

PART NO.	VOLTAGE KEY POS.	VOLTAGE	DIM 'P'	RECOMMENDED PCB THICKNESS	CONTACT AREA PLATING OPTION	SOLDERTAIL PLATING OPTION	LATCH COLOUR
78443-0001	CENTER	1.5V	3.30±0.25	2.36	0.76 MICROMETER/ 30 MICROINCH MIN. GOLD OVER 1.27 MICROMETER/ 50 MICROINCH MIN NICKEL UNDERPLATE	0.38-1.52 MICROMETER/15-60 MICROINCH TIN OVER 1.27MICROMETER/ 50 MICROINCH MIN NICKEL UNDERPLATE	BLACK
78443-0005			3.30±0.25	2.36			CLEAR
78443-0051			2.55±0.15	2.36			BLACK
78443-0006			2.55±0.15	2.36			CLEAR

TIN/LEAD OPTION

PART NO.	VOLTAGE KEY POS.	VOLTAGE	DIM 'P'	RECOMMENDED PCB THICKNESS	CONTACT AREA PLATING OPTION	SOLDERTAIL PLATING OPTION	LATCH COLOUR
78443-0011	CENTER	1.5V	3.30±0.25	2.36	0.76 MICROMETER/ 30 MICROINCH MIN. GOLD OVER 1.27 MICROMETER/ 50 MICROINCH MIN NICKEL UNDERPLATE	0.38-1.52 MICROMETER/15-60 MICROINCH TIN/LEAD OVER 1.27MICROMETER/ 50 MICROINCH MIN NICKEL UNDERPLATE	BLACK
78443-0015			3.30±0.25	2.36			CLEAR
78443-0151			2.55±0.15	2.36			BLACK
78443-0016			2.55±0.15	2.36			CLEAR

FINAL RELEASE EC NO: S2010-0504 DRW:CGTAN 2009/12/31 CHKD:CCTEH 2009/12/31 APPR:SHLENI 2009/12/31	QUALITY SYMBOLS	GENERAL TOLERANCES (UNLESS SPECIFIED)	DIMENSION STYLE	SCALE	DESIGN UNITS	THIRD ANGLE PROJECTION
	$\nabla_A=0$ $\nabla_C=0$ $\nabla_P=0$	mm INCH 4 PLACES ± --- ± --- 3 PLACES ± --- ± --- 2 PLACES ± 0.2 ± --- 1 PLACE ± --- ± --- ANGULAR ± 1 °	MM ONLY	NTS	METRIC	
	DESCRIPTION	DRAFT WHERE APPLICABLE MUST REMAIN WITHIN DIMENSIONS	DRAWN BY: CMTEO DATE: 2008/06/19 CHECKED BY: CGTAN DATE: 2008/07/25 APPROVED BY: CGTAN DATE: 2008/07/25	TITLE: DDR3 DIMM, 100MM PITCH 240 CKTS, VERT PRESS-FIT LOW-LLCR		
	REV	SIZE: A3	MATERIAL NO. DOCUMENT NO. SHEET NO.	MOLEX INCORPORATED SD-78443-001 6 OF 6		