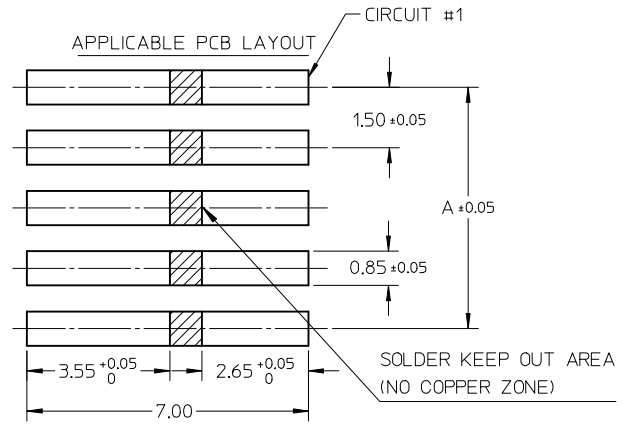
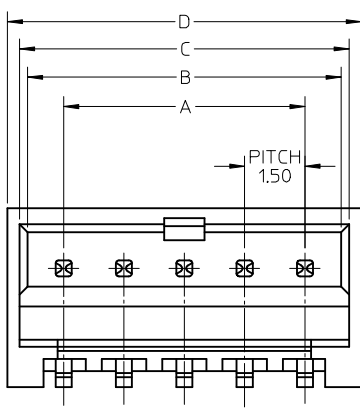
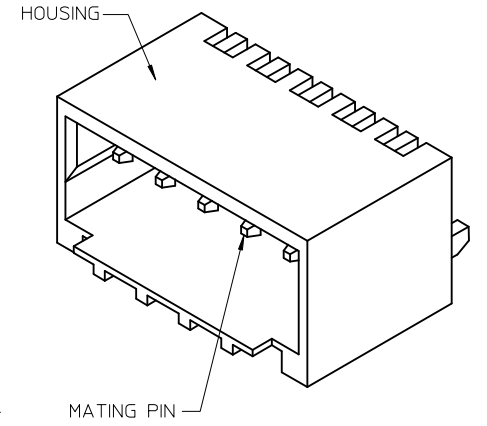
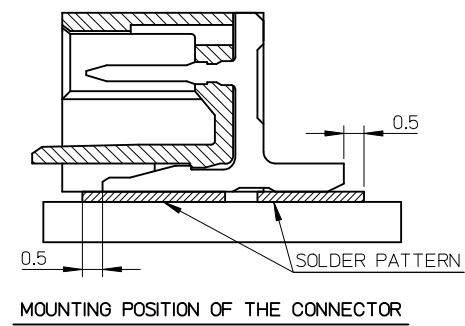
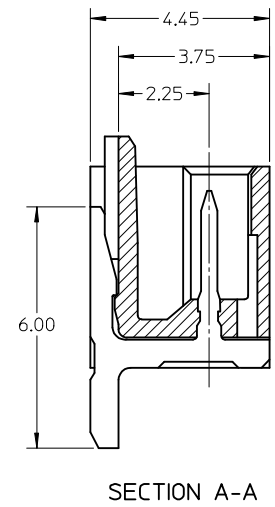
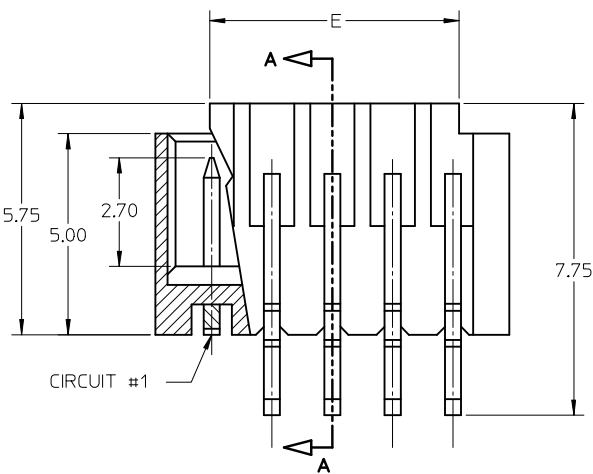


10 9 8 7 6 5 4 3 2 1



CIRCUIT SIZE	HEADER IN TUBE PACKING	HEADER IN TAPE & REEL	A	B	C	D	E
2	87438-0237	87438-0238	1.50	3.30	3.70	4.30	1.70
3	87438-0337	87438-0338	3.00	4.80	5.20	5.80	3.20
4	87438-0437	87438-0438	4.50	6.30	6.70	7.30	4.70
5	87438-0537	87438-0538	6.00	7.80	8.20	8.80	6.20
6	87438-0637	87438-0638	7.50	9.30	9.70	10.30	7.70
7	87438-0737	87438-0738	9.00	10.80	11.20	11.80	9.20
8	87438-0837	87438-0838	10.50	12.30	12.70	13.30	10.70
9	87438-0937	87438-0938	12.00	13.80	14.20	14.80	12.20
10	87438-1037	87438-1038	13.50	15.30	15.70	16.30	13.70
11	87438-1137	87438-1138	15.00	16.80	17.20	17.80	15.20
12	87438-1237	87438-1238	16.50	18.30	18.70	19.30	16.70
13	87438-1337	87438-1338	18.00	19.80	20.20	20.80	18.20
14	87438-1437	87438-1438	19.50	21.30	21.70	22.30	19.70
15	87438-1537	87438-1538	21.00	22.80	23.20	23.80	21.20



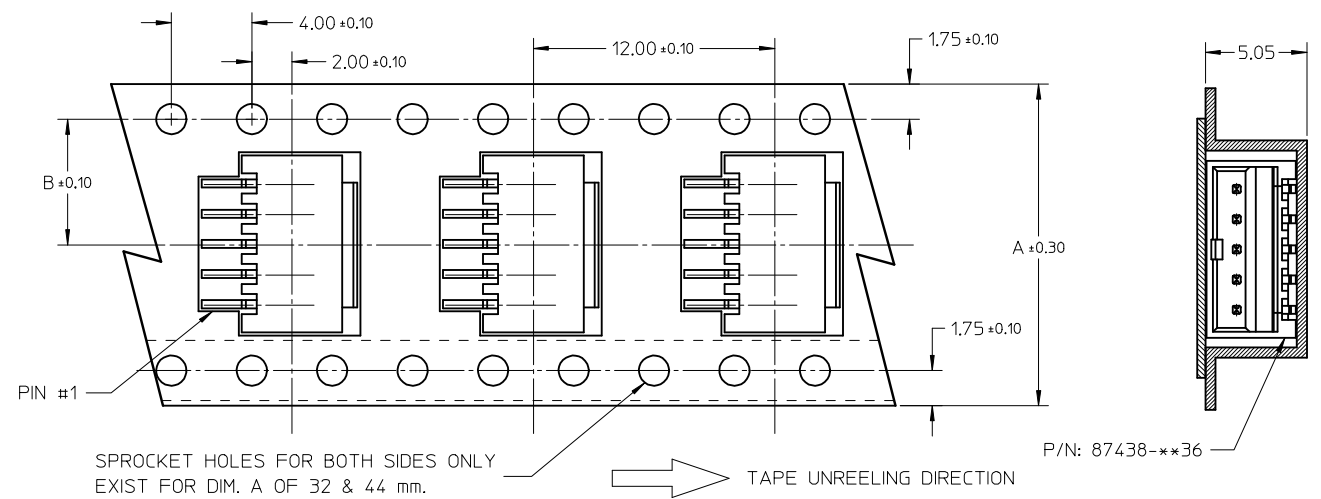
- NOTES:
- MATERIAL:  
HOUSING: GLASS-FILLED NYLON 46, UL RATED 94V-0, COLOR: BEIGE.  
PINS: BRASS ALLOY, C26000
  - PLATING: 0.38μM MIN, GOLD OVER 1.27μM MIN, NICKEL.
  - DRAWING SHOWS PLUG WITH 5 CIRCUITS.
  - HEADER TO BE USED WITH CRIMP HOUSING, P/N 87439 AND CRIMP TERMINAL, P/N 87421.
  - PARTS TO BE PACKED IN MOISTURE BARRIER BAG.
  - THIS DRAWING IS RE-DRAWING OF SD-87438-\*\*\*36.

REVISED EC NO: J2014-0698 2013/10/21 DRWNRHORI CHKDKASAKAWA 2013/10/22 APPR:NUKITA 2013/10/22	DESCRIPTION	GENERAL TOLERANCES (UNLESS SPECIFIED)		DIMENSION STYLE MM ONLY		SCALE NTS	DESIGN UNITS METRIC	THIRD ANGLE PROJECTION	
		10 UNDER	± 0.20	DRAWN BY KCLING	DATE 1994/11/18	TITLE 150MM PITCH, W-T-B HEADER, R/A, SMT			
		10 OVER 30 UNDER	± 0.20	CHECKED BY SKTOH	DATE 1994/12/09				
		30 OVER	± 0.20	APPROVED BY NUKITA	DATE 2013/10/22				
REV		ANGULAR ± 3 °	DRAFT WHERE APPLICABLE MUST REMAIN WITHIN DIMENSIONS	MATERIAL NO. SEE TABLE		DOCUMENT NO. SD-87438-002	SHEET NO. 1 OF 2		

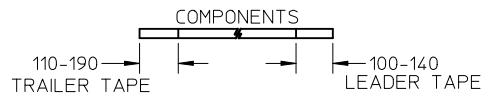
9 8 7 6 5 4 3 2 1

	10	9	8	7	6	5	4	3	2	1
	15	44	20.20	100	44.40	50.40				
	11, 12, 13, 14	32	14.20	100	32.40	38.40				
	7, 8, 9, 10	24	11.50	100	24.40	30.40				
	2, 3, 4, 5, 6	16	7.50	100	16.40	22.40				
	CIRCUIT SIZE	A	B	N	G	T MAX				

EMBOSSED CARRIER TAPE PACKING DETAILS



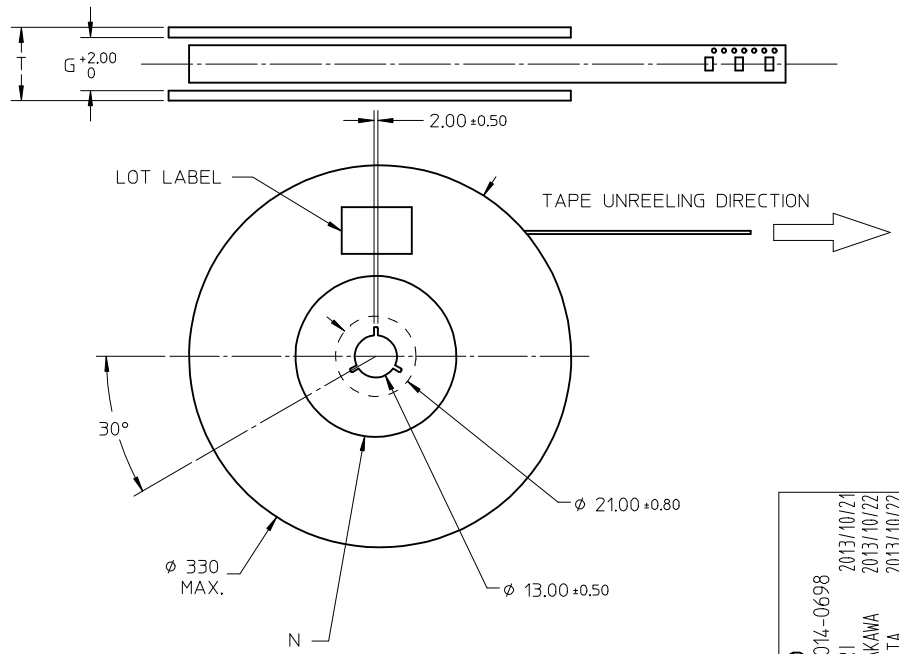
- NOTES:  
1. LEADER AND TRAILER TAPE:



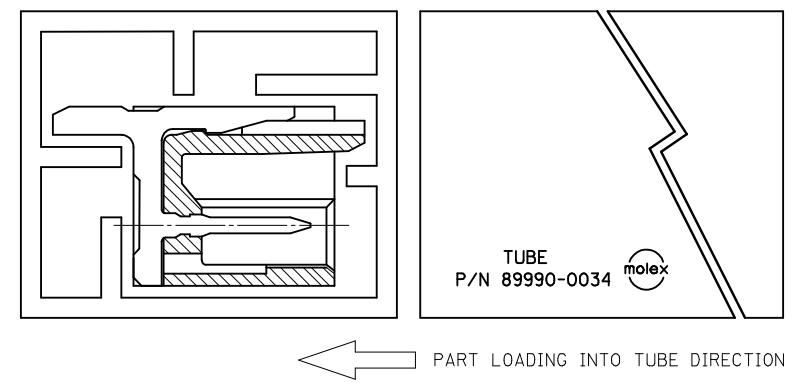
2. PACKING QUANTITY IS 1000 PIECES/REEL.  
3. THE TAPE IS TREATED FOR ANTI-ESD.  
4. PEELING OFF FORCE OF TOP TAPE IS 60 gf MAX. AND PEELING DIRECTION & ANGLE IS AS SHOWN.



REEL DETAILS



PART LOADING INTO TUBE DETAILS



REVISED EC NO: J2014-0698 DR: WNHORI CHKD: KASAKAWA APPR: NUKITA	2013/10/21 2013/10/22 2013/10/22	DESCRIPTION	GENERAL TOLERANCES (UNLESS SPECIFIED)		DIMENSION STYLE MM ONLY		SCALE NTS	DESIGN UNITS METRIC	THIRD ANGLE PROJECTION	
			10 UNDER	± 0.20	DRAWN BY KCLING	DATE 1994/11/18	TITLE 1.50MM PITCH, W-T-B HEADER, R/A, SMT			
			10 OVER 30 UNDER	± 0.20	CHECKED BY SKTOH	DATE 1994/12/09				
			30 OVER	± 0.20	APPROVED BY NUKITA	DATE 2013/10/22				
			ANGULAR	± 3 °	MATERIAL NO. SEE TABLE		DOCUMENT NO. SD-87438-002		SHEET NO. 2 OF 2	
			DRAFT WHERE APPLICABLE MUST REMAIN WITHIN DIMENSIONS		SIZE A3		THIS DRAWING CONTAINS INFORMATION THAT IS PROPRIETARY TO MOLEX INCORPORATED AND SHOULD NOT BE USED WITHOUT WRITTEN PERMISSION			