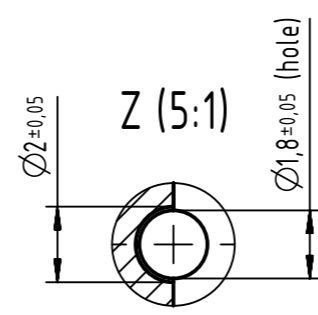
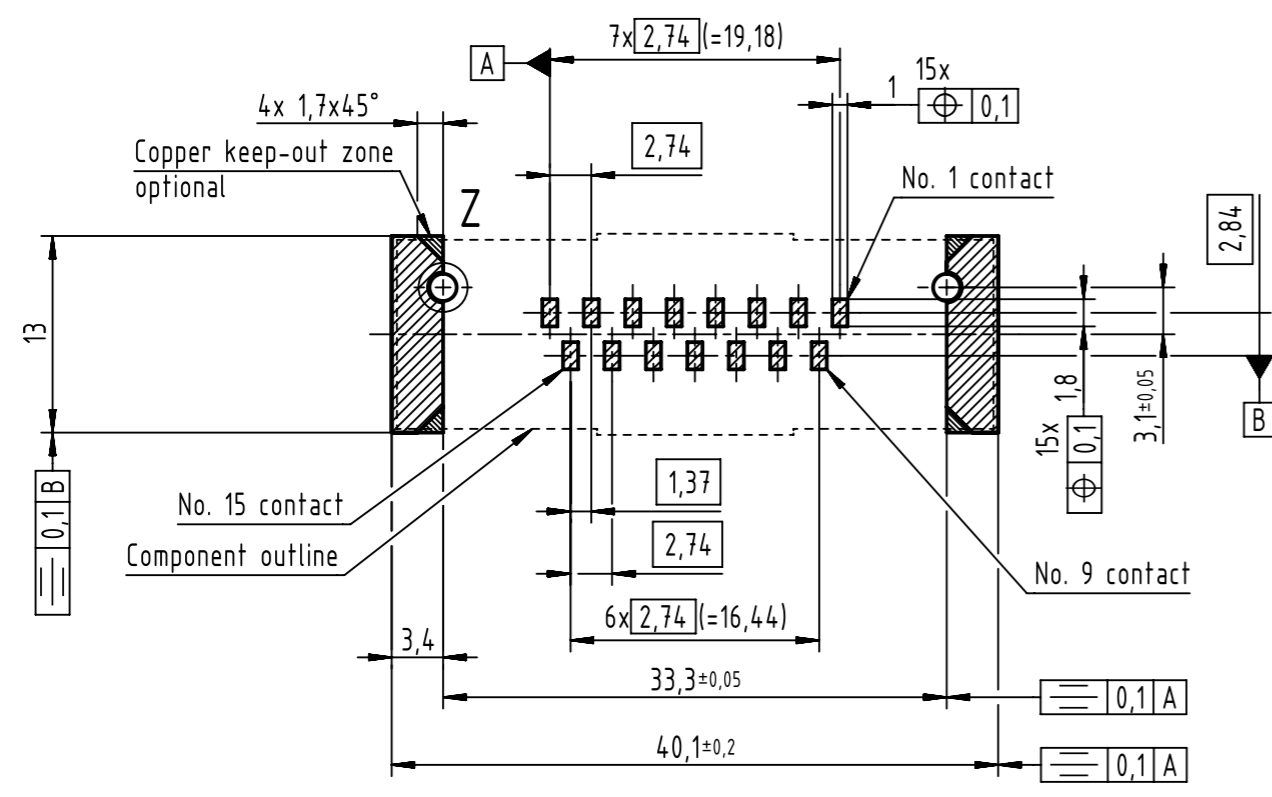


PCB layout, component side



Max. Temperature: 260°C during 10 seconds.
Find further technical information on DS 09550200302.

0955 215 6622 333	2	4-40 UNC	Black insulator	Samples
0955 215 3622 741	1			Reel packaging (140 connectors)
0955 215 6622 741	2			
0955 215 7622 741	3	M3		
0955 215 3621 741	1			
0955 215 6621 741	2			
0955 215 7621 741	3			
Part number	PL	Screw lock	Index designation	

 HARTING Electronics GmbH D-32339 Espelkamp	All rights reserved Department EL PD		Scale 2:1	Free size tol.	Ref.	
	Created by ZHUANGJ	Inspected by LUOK	Standardisation HOFFMANN	Date 2018-11-29	State Final Release	
Title D-Sub str SMT 15-pole fem ass with screw lock & pad				Doc-Key / ECM-Nr. 100236635/UGD/001/C 500000139800		
Type TB	Number 0955215X62X		Rev. C	Page 1/1		