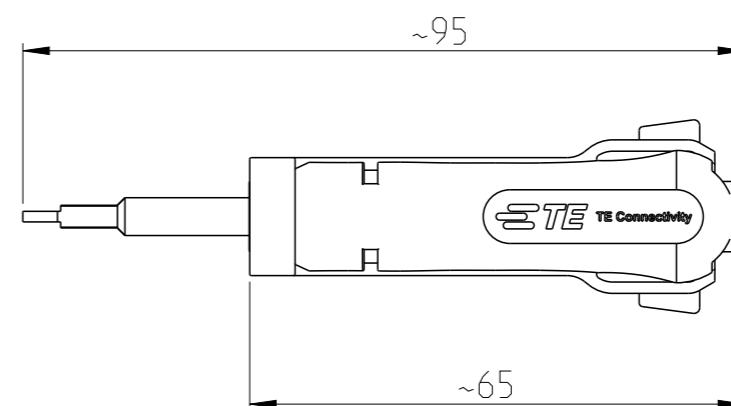
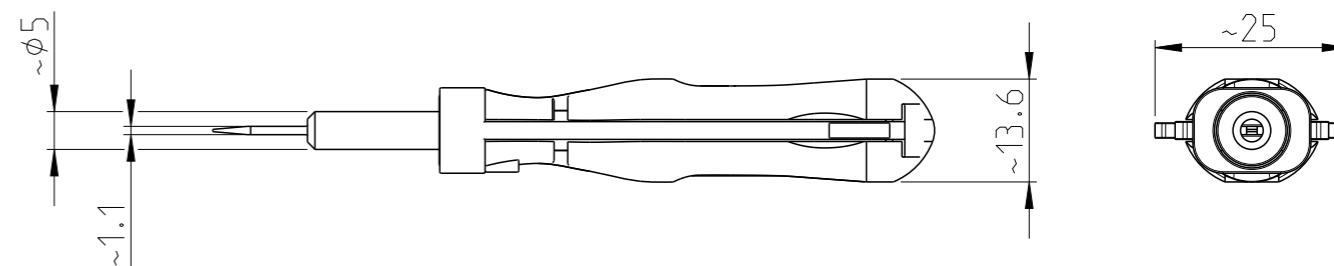
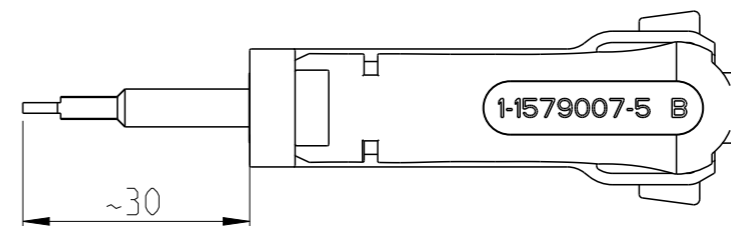
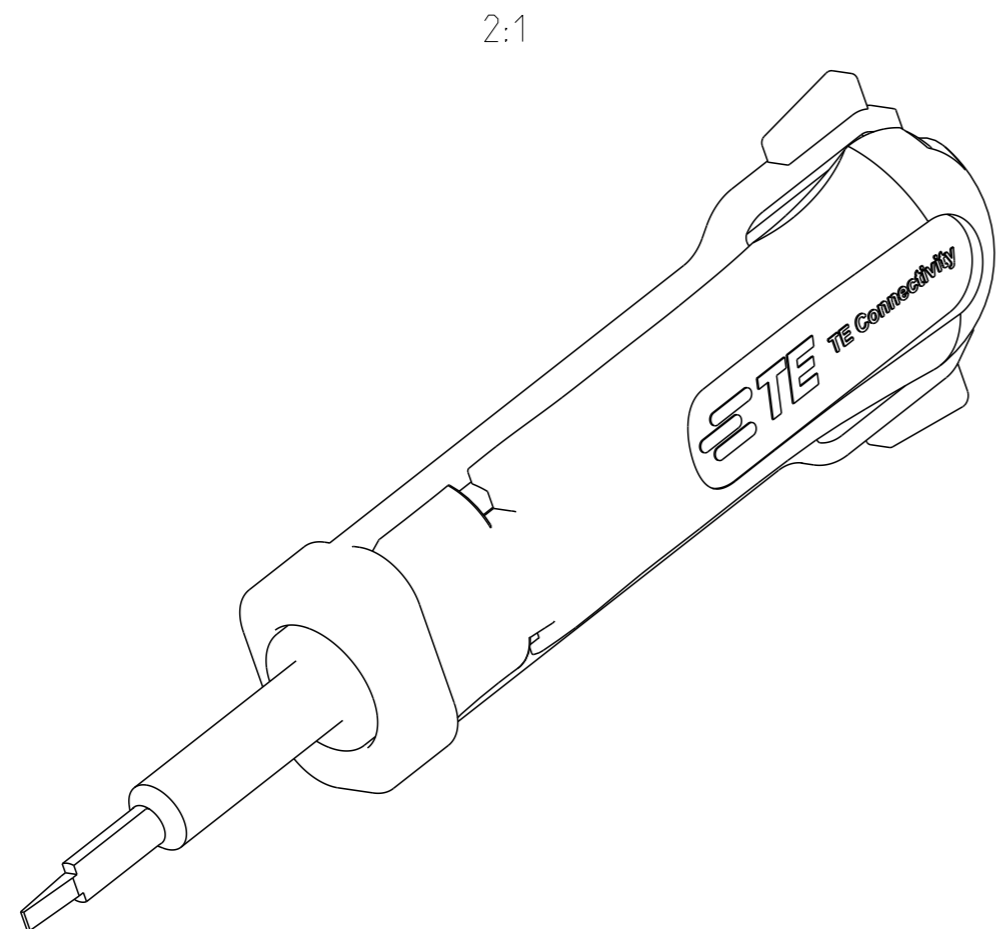


REVISIONS

P	LTR	DESCRIPTION	DATE	DWN	APVD
B1	ECR-19-017115		07NOV2019	PNT	GS
B2	ECR-20-008954		23JUN2020	PNT	GS



THIS DRAWING IS A CONTROLLED DOCUMENT.		DWN J. Zajicek 24MAR2005														
DIMENSIONS: mm		CHK J. Zajicek 09AUG2010														
TOLERANCES UNLESS OTHERWISE SPECIFIED:		APVD J. Zajicek 09AUG2010	NAME EXTRACTION TOOL Entriegelungswerkzeug													
<table border="1"> <tr> <td>0 PLC</td> <td>±</td> </tr> <tr> <td>1 PLC</td> <td>±</td> </tr> <tr> <td>2 PLC</td> <td>±</td> </tr> <tr> <td>3 PLC</td> <td>±</td> </tr> <tr> <td>4 PLC</td> <td>±</td> </tr> <tr> <td>ANGLES</td> <td>±</td> </tr> </table>		0 PLC	±	1 PLC	±	2 PLC	±	3 PLC	±	4 PLC	±	ANGLES	±	PRODUCT SPEC -	RESTRICTED TO	
0 PLC	±															
1 PLC	±															
2 PLC	±															
3 PLC	±															
4 PLC	±															
ANGLES	±															
MATERIAL -		FINISH -	APPLICATION SPEC -	SIZE A3												
		WEIGHT 0.014	CAGE CODE 00779	DRAWING NO C-1-1579007-5												
		CUSTOMER DRAWING	SCALE 1:1	SHEET 1 OF 1												
				REV B2												