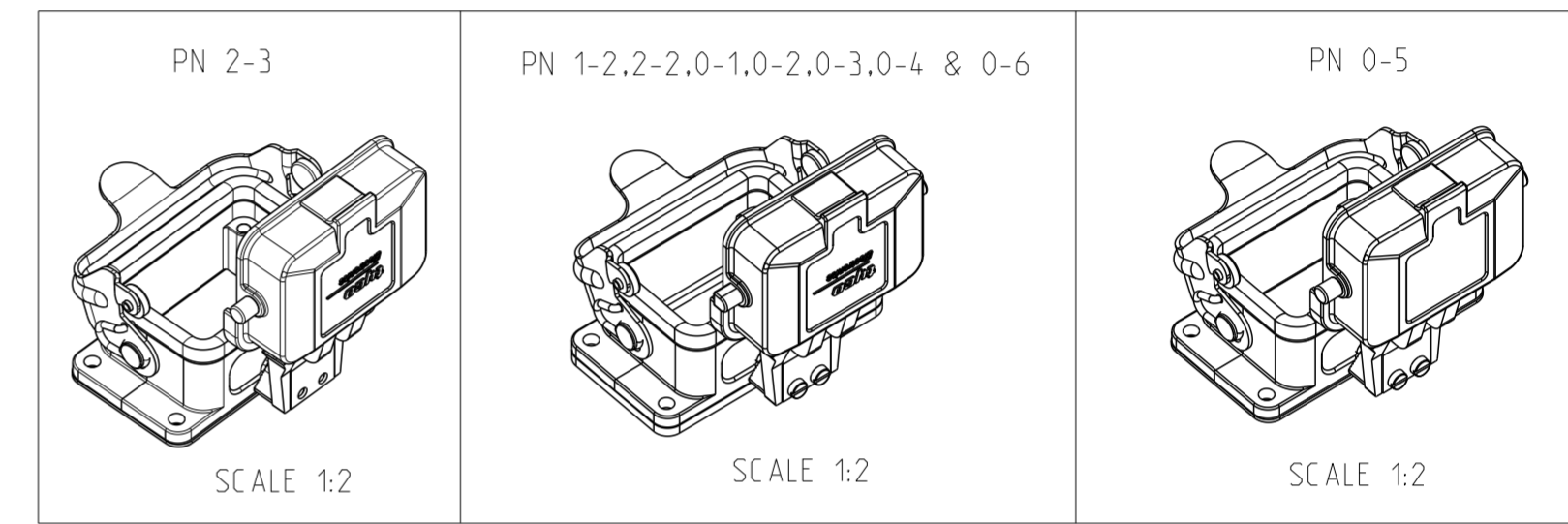
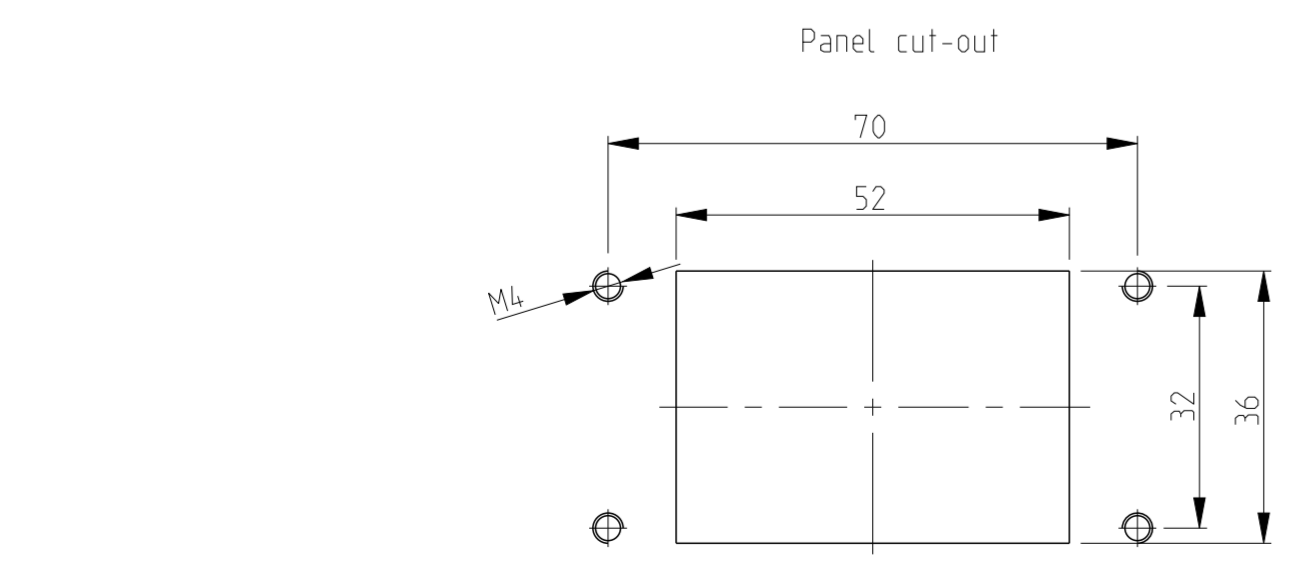
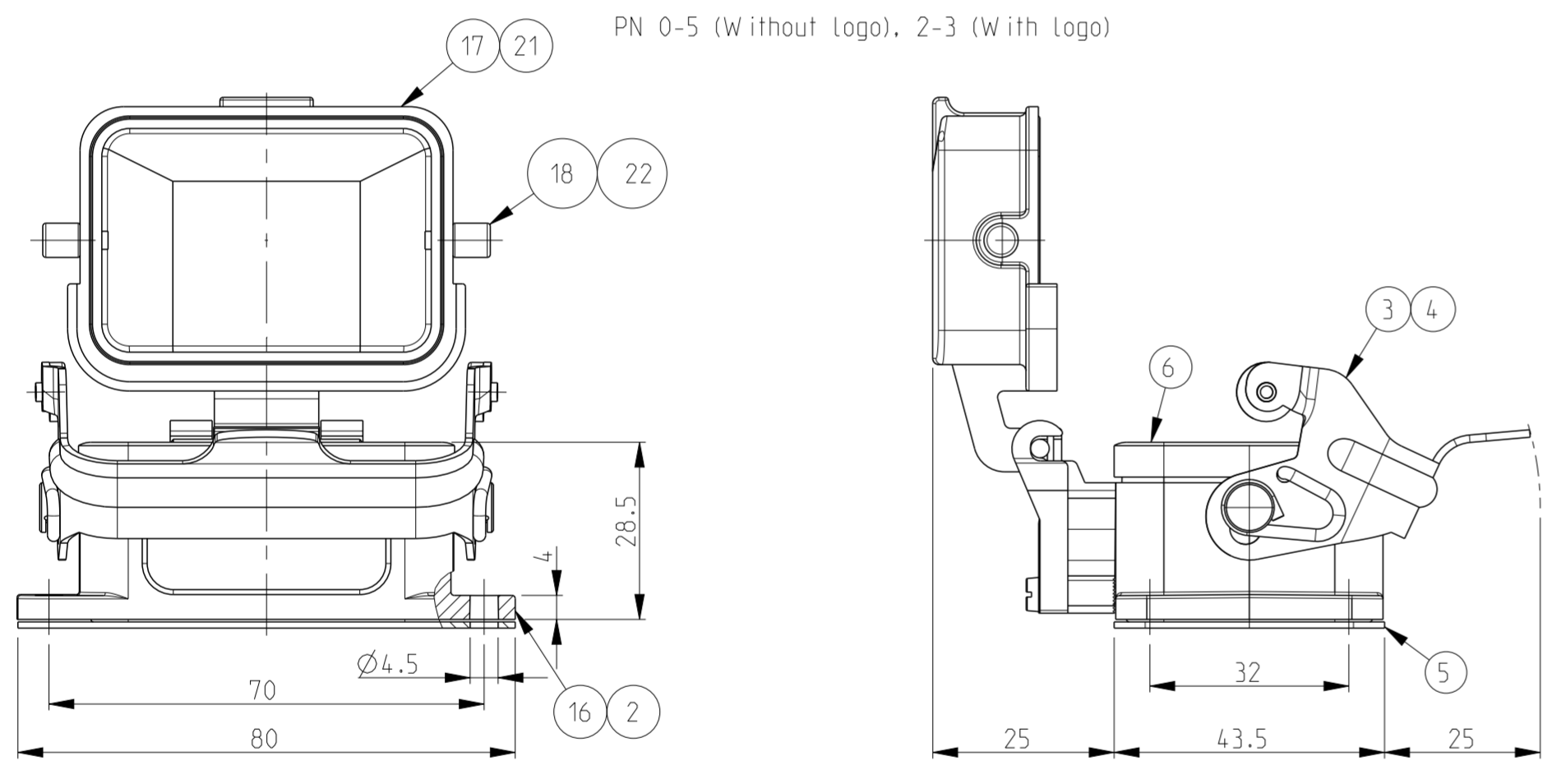
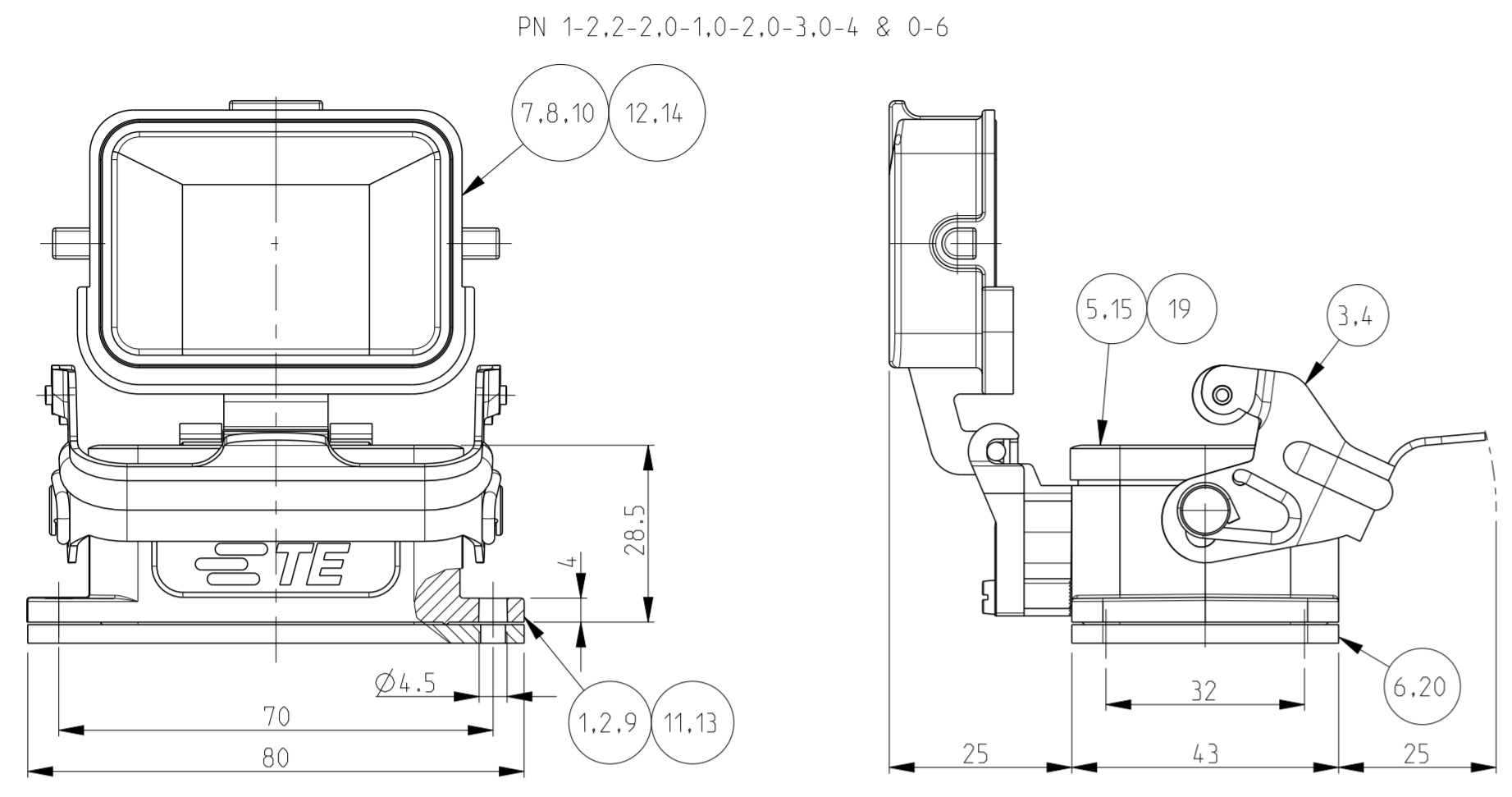


THIS DRAWING IS UNPUBLISHED. RELEASED FOR PUBLICATION .1997
 © COPYRIGHT 1997 BY - ALL RIGHTS RESERVED.

REVISIONS					
P	LTR	DESCRIPTION	DATE	DWN	APVD
B3		ECR-17-013084	29MAR2018	SG	MKO
B4		ECR-21-123293	21FEB2022	RK	JB

- NOTES.
- Material:Housing:Aluminium Diecasting Alloy
Seals :Neoprene: Viton
 - Surface: Varnish-Grey/fire-red /alu-colored
-Aluminium Oxide +
Varnish Black
Chromital TCP-Passivation
 - Varnish on the inside not necessary
 - Packaging
Quantity 5 Pieces in a box
 - Without TE product sign
 - Special Packaging
Quantity 50 Pieces in a Kanban box



QTY	DESCRIPTION	MATERIAL	SURFACE	COLOR	ITEM NO	NOTES
2	LB Clip bolt	Stainless steel			22	
1	Cover HB-K	Aluminium	Aluminium oxide	Black	21	
1	Flange seal	Viton		Black	20	
1	Profile seal	Viton		Grey	19	
1	LB Clip bolt	Steel	Zinc plated	Blue	18	
1	Cover HB	Aluminium		Grey	17	Without TE logo
1	Surface mounted housing bottom entry HB	Aluminium		Grey	16	Without TE logo
1	Profile seal	Neoprene		Black	15	Conductive
1	Cover HB-EMV	Aluminium	SEE NOTE	Black	14	
1	Surface mounted housing bottom entry HB-EMV	Aluminium	SEE NOTE	Black	13	
1	Cover HB	Aluminium		Borning ried	12	
1	Surface mounted housing bottom entry HB	Aluminium		Borning ried	11	
1	Cover HB	Aluminium	Aluminium oxide	Alu-colored	10	
1	Surface mounted housing bottom entry HB	Aluminium	Aluminium oxide	Alu-colored	9	
1	Cover HB	Aluminium	Aluminium oxide	Black	8	
1	Cover HB	Aluminium		Grey	7	
1	Flange seal	Neoprene		Black	6	
1	Profile seal	Neoprene		Black	5	
1	LB-Side clip HB	Stainless steel	Blank		4	
1	LB-Side clip HB	Steel	Zinc plated	Blue	3	
1	Surface mounted housing bottom entry HB-K	Aluminium	Aluminium oxide	Black	2	
1	Surface mounted housing bottom entry HB	Aluminium		Grey	1	

QTY	DESCRIPTION	MATERIAL	SURFACE	COLOR	ITEM NO	NOTES
1	HB.6.AGD-LB					
1	HB-K.6.AGD-LB					
1	HB-K.6.AGD-LB					
1	HB.6.AGD-LB.KM					
1	HB.6.AGD-LB.KM					
1	HB-EMV.6.AGD-LB					
1	HB.6.AGD-LB					
1	HB.6.AGD-LB.V					
1	HB-K.6.AGD-LB					

THIS DRAWING IS A CONTROLLED DOCUMENT.

DWN: Schneider 23.09.1999
 CHK: Schweiger 23.09.1999
 APVD: -

NAME: Surface mounted housing bottom entry HB.6.AGD-LB

PRODUCT SPEC: 108-74001/74003
 APPLICATION SPEC: 114-74004/74005

SIZE: A2 CAGE CODE: 00779 DRAWING NO: C-1102246 RESTRICTED TO: B4

WEIGHT: - SCALE: 1:1 SHEET: 1 OF 1

CUSTOMER DRAWING