



# A01 - ADAPTOR FOR DIN MICRO

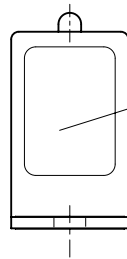
**A 0 1 X X X**

INTERNAL CIRCUIT

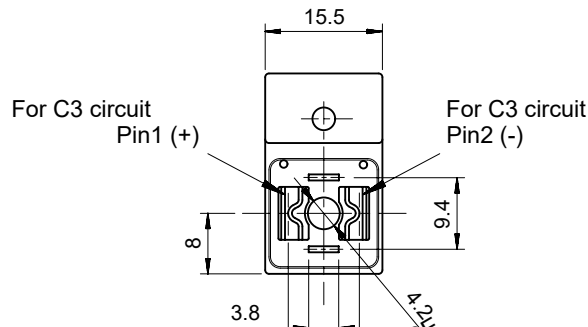
VOLTAGE AND LED COLOUR:

|         |         |         |
|---------|---------|---------|
| 1= 12V  | A= 12V  | G= 12V  |
| 2= 24V  | B= 24V  | H= 24V  |
| 3= 48V  | C= 48V  | K= 48V  |
| 4= 115V | D= 115V | L= 115V |
| 5= 230V | E= 230V | M= 230V |

RED LED      GREEN LED      YELLOW LED



CIRCUIT TAMOPRINT (WHITE)

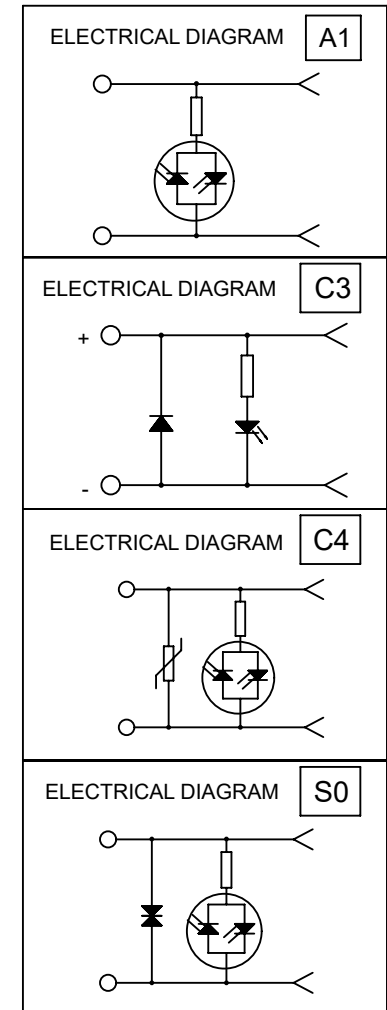


PRE-RELEASE  
REFERENCE  
USE ONLY

Chart 1

| Engineering number | SAP Part Number | Circuit type | LED Color |
|--------------------|-----------------|--------------|-----------|
| A01C3H             | 1210010014      | C3 24V       | Yellow    |
| A01C3L             | 1210010431      | C3 115V      | Yellow    |
| A01C4B             | 1210010020      | C4 24V       | Green     |
| A01C4H             | 1210010024      | C4 24V       | Yellow    |
| A01C4L             | 1210010025      | C4 115V      | Yellow    |
| A01C4M             | 1210010406      | C4 230V      | Yellow    |

Wiring configuration



THIS DRAWING CONTAINS INFORMATION THAT IS PROPRIETARY TO MOLEX ELECTRONIC TECHNOLOGIES, LLC AND SHOULD NOT BE USED WITHOUT WRITTEN PERMISSION

| DIMENSION UNITS                                      |     | SCALE                  |  | CURRENT REV DESC: REMOVED OBSOLETE PART NUMBER AS PER PCN#511691.                         |  |  |  |
|--|-----|------------------------|--|---|--|--|--|
| mm   | NTS |                        |  |   |  |  |  |
| GENERAL TOLERANCES (UNLESS SPECIFIED)                |     |                        |  | EC NO: 737858<br>DRWN: SANTHN 2023/02/10<br>CHK'D: GGA 2023/02/24<br>APPR: GGA 2023/02/24 | LIGHT ADAPTORS<br>SERIES A01XXX  |  |  |
|  | MM  | INCH                   |  |   |  |  |  |
| 4 PLACES   | ±   | ±                      |  |   | PRODUCT CUSTOMER DRAWING   |  |  |
| 3 PLACES   | ±   | ±                      |  |   |  |  |  |
| 2 PLACES   | ±   | ±                      |  |   | DOCUMENT NUMBER: SD-121001-001<br>DOC TYPE: PSD<br>DOC PART: 001<br>REVISION: A1 |  |  |
| 1 PLACE  | ±   | ±                      |  |   |  |  |  |
| 0 PLACES   | ±   | ±                      |  | MATERIAL NUMBER: SEE CHART 1<br>CUSTOMER: GENERAL MARKET<br>SHEET NUMBER: 1 OF 1          |  |  |  |
| ANGULAR TOL  | ±   | °                      |  |   |  |  |  |
| DRAFT WHERE APPLICABLE MUST REMAIN WITHIN DIMENSIONS |     | THIRD ANGLE PROJECTION |  | DRAWING: A4-SIZE  | SERIES: 121001   |  |  |

|                 |    |              |            |          |
|-----------------|----|--------------|------------|----------|
| DOCUMENT STATUS | P1 | RELEASE DATE | 2023/02/24 | 09:13:06 |
|-----------------|----|--------------|------------|----------|