

PART NO.	ENGINEERING NO.	FINISHED LENGTH	REF. CABLE	CABLE COLOR	CABLE DIA.
1300680103	TC40301A56M010G	3FT 3IN [1.0M]	A56 (STANDARD)	BLACK	.59 [15.0]
1300680111	TC40301K27M010G	3FT 3IN [1.0M]	K27 (HI FLEX 10 MIL)	BLACK	.40 [10.2]
1300680112	TC40301K27M040G	13FT 1.4IN [4.0M]	K27 (HI FLEX 10 MIL)	BLACK	.40 [10.2]
1300680114	TC40301K27M035G	11FT 6 IN [3.5M]	K27 (HI FLEX 10 MIL)	BLACK	.40 [10.2]

CABLE LENGTH TOLERANCES

<.3M [1FT]: +19mm-0 [+ .75in-0]

.3 - .9M [1 - 3FT]: +44.5mm-0 [+1.75in-0]

.9 - 1.8M [3 - 6FT]: +55.6mm-0 [+2.19in-0]

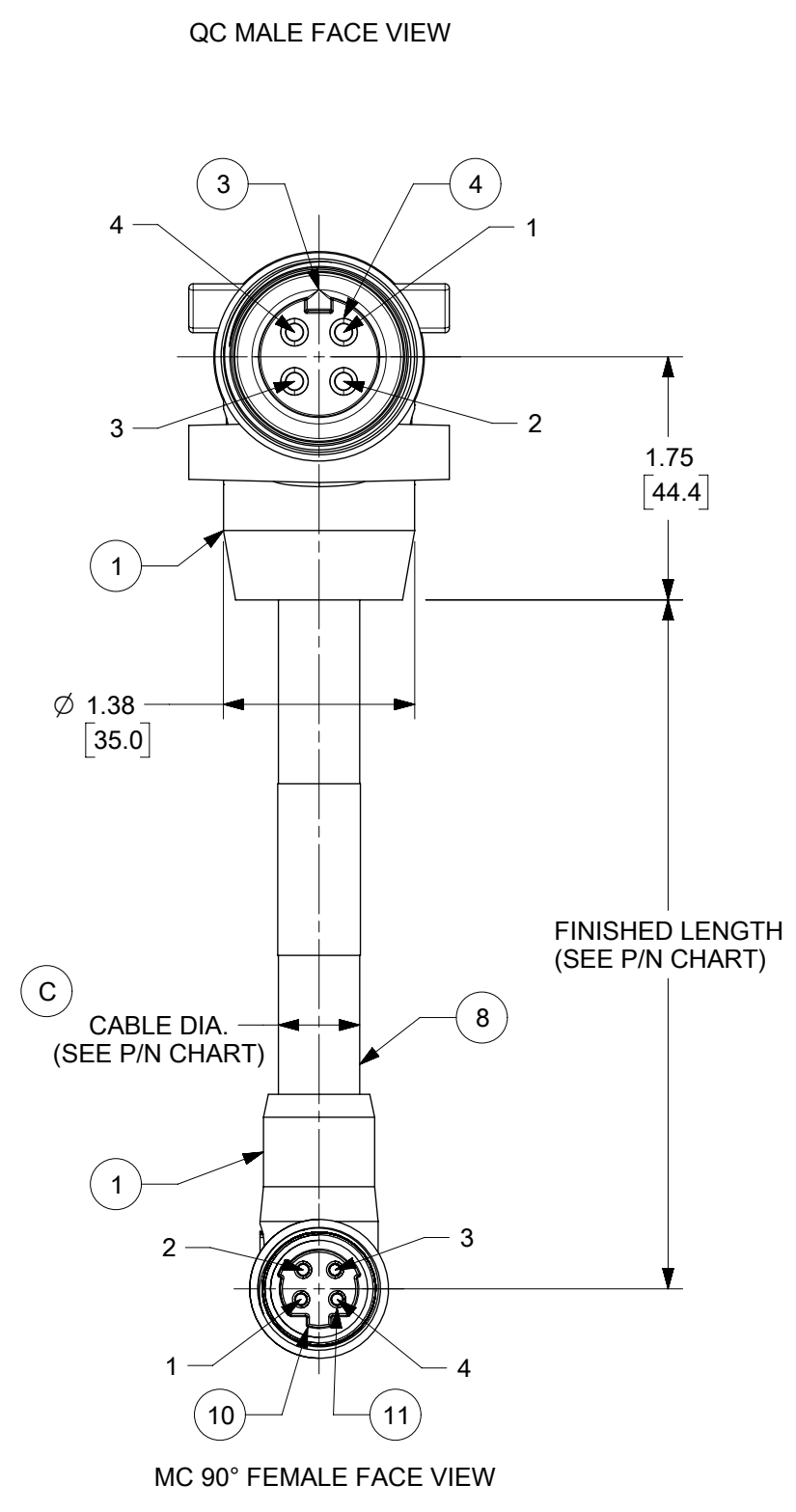
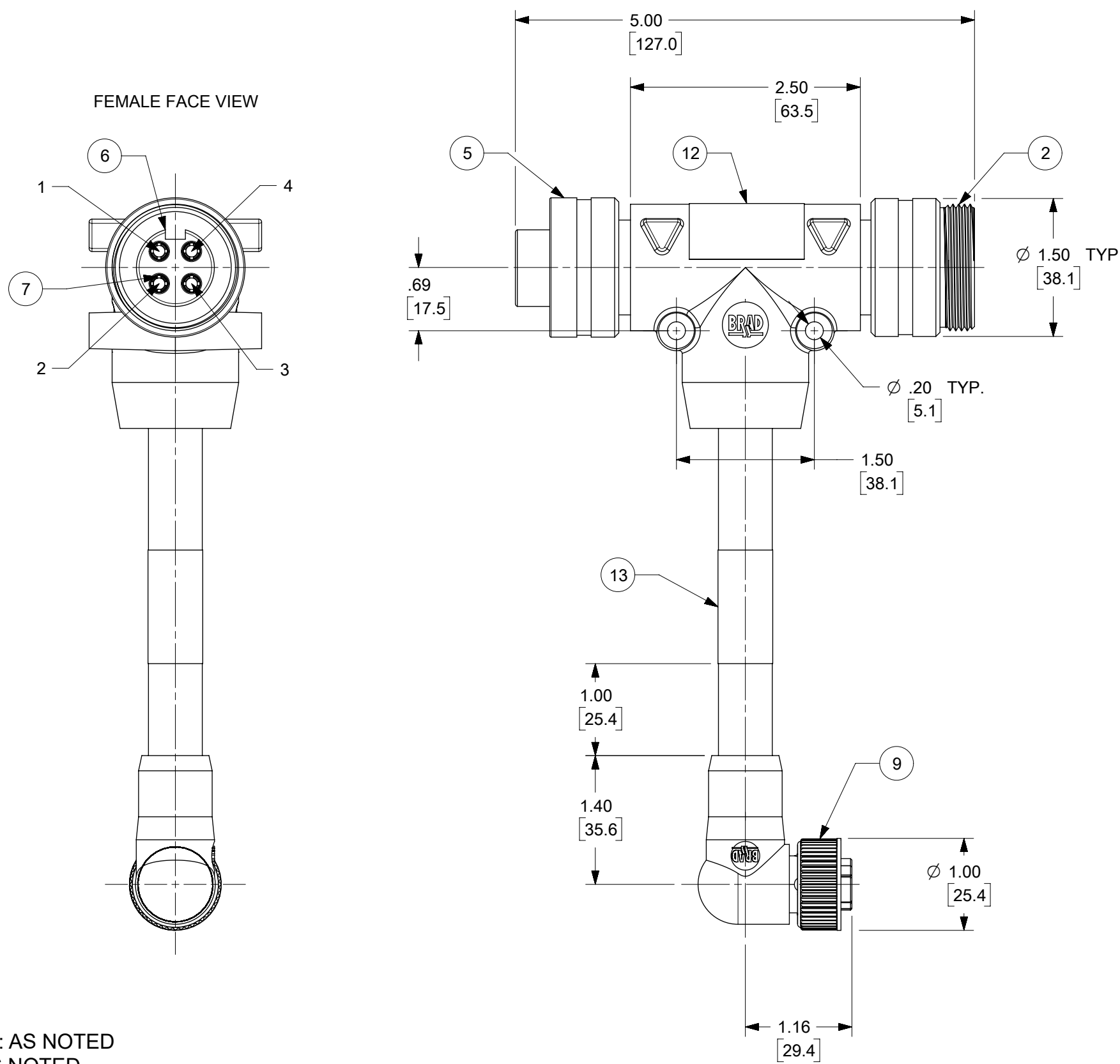
1.8 - 3.7M [6 - 12FT]: +88.9mm-0 [+3.50in-0]

3.7 - 7.3M [12 - 24FT]: +165.1mm-0 [+6.50in-0]

7.3-14.6M [24 - 48FT]: +317.5mm-0 [+12.50in-0]

14.6 - 30.5M [48-100FT]: +622.3mm-0 [+24.50in-0]

OVER 30M [100FT] +2% OF FINISHED LENGTH



PART NUMBER LEGEND

TC40301A56M010G

LENGTH

M001 = .1 METERS

M010 = 1.0 METERS

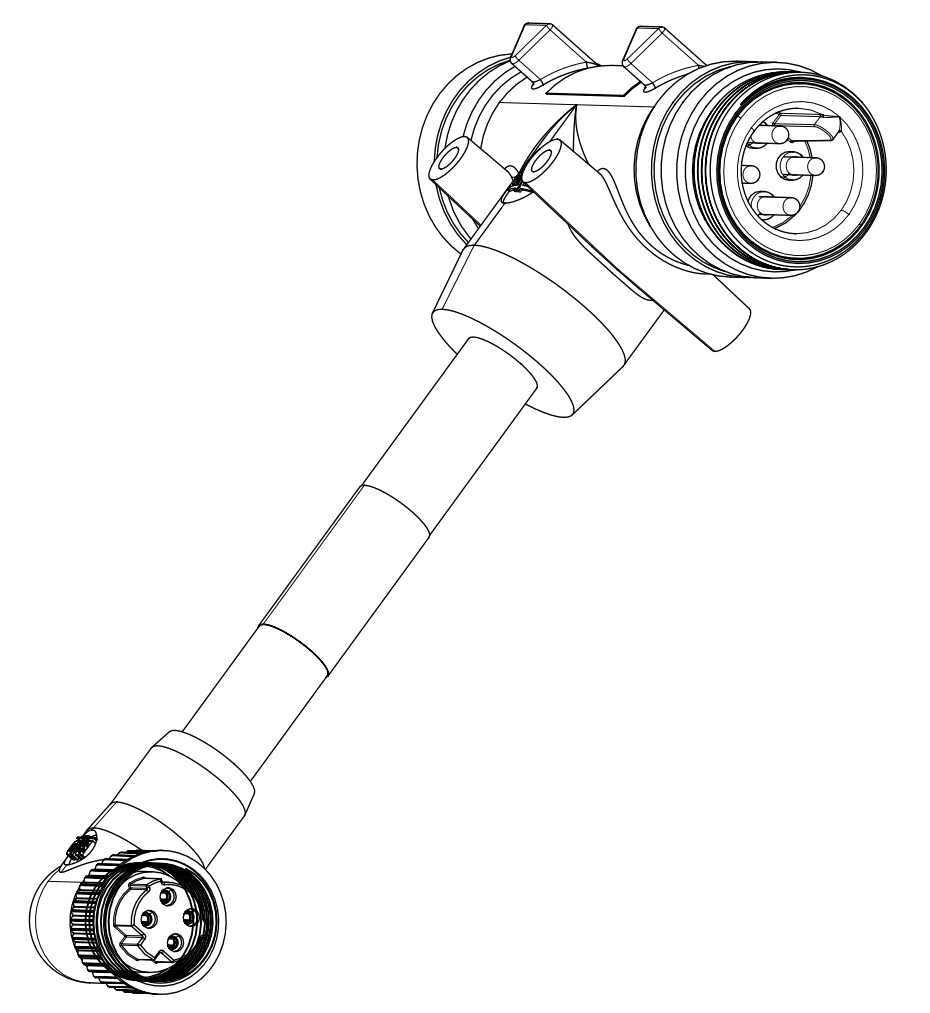
M100 = 10 METERS

CABLE TYPE:

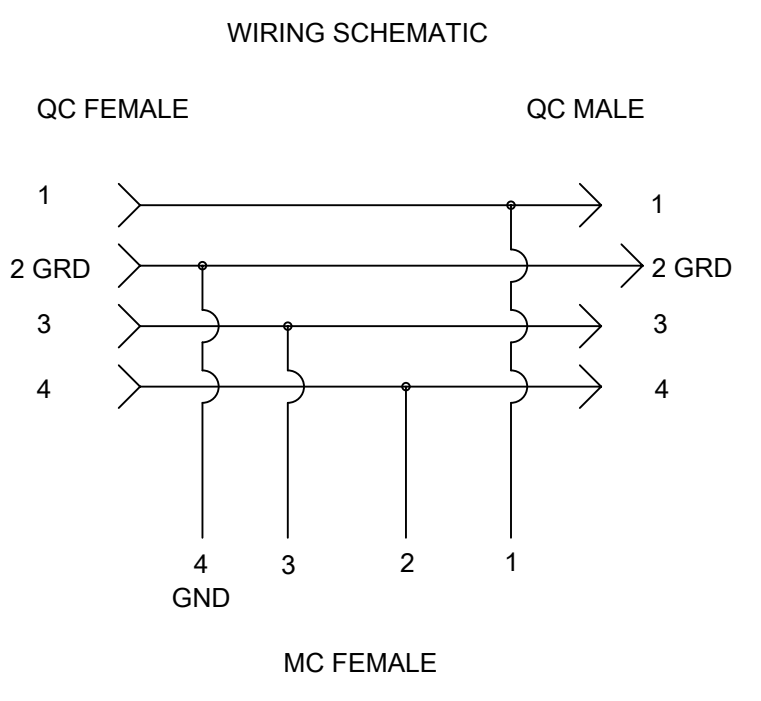
A56 - 14AWG TC-ER BLACK TPE

A79 - 14AWG TC-ER GRAY TPE-FLEX RATED

K27 - 14AWG TC-ER BLACK TPE-HI FLEX



- NOTES:**
- MATERIAL: AS NOTED
 - FINISH: AS NOTED
 - ELECTRICAL:
VOLTAGE: 500V PER IEC60664
600V PER UL2237
MAX THRU CURRENT: 32A
MAX DROP CURRENT: 15A
 - TEMP RATING: -20°C TO +90°C
 - PROTECTION: IP67 (WHEN MATED)
 - COUPLING THREAD:
QC (M35): 1 3/8-16UN
MC: 7/8-16 UN
 - UL LISTED FILE: E258922
 - ALL DIMS ARE FOR REFERENCE UNLESS TOLERANCED OR NOTED OTHERWISE



#	DESCRIPTION	MATERIAL	FINISH
13	MC WARNING LABEL	VINYL	BLACK/YELLOW
12	QC WARNING LABEL	POLYESTER	BLACK/ORANGE
11	MC SOCKET CONTACT	CU ALLOY	GOLD PLATED
10	MC FEMALE INSERT	TPE	BLACK
9	MC COUPLING NUT	ZINC ALLOY	BLACK E-COAT
8	CABLE, 14 AWG-4 TYPE TC-ER, STOOV	PVC	SEE CHART
7	QC SOCKET CONTACT	CU ALLOY	GOLD PLATED
6	QC FEMALE INSERT	TPE	BLACK
5	QC FEMALE COUPLING NUT	ALUMINUM	CLEAR ANODIZE
4	QC PIN CONTACT	CU ALLOY	GOLD PLATED
3	QC MALE INSERT	TPE	BLACK
2	QC MALE COUPLING NUT	ALUMINUM	CLEAR ANODIZE
1	OVERMOLDS	TPE	BLACK
#	DESCRIPTION	MATERIAL	FINISH

FUNCTIONAL SYMBOLS	THIS DRAWING CONTAINS INFORMATION THAT IS PROPRIETARY TO MOLEX ELECTRONIC TECHNOLOGIES, LLC AND SHOULD NOT BE USED WITHOUT WRITTEN PERMISSION		CURRENT REV DESC: INSERT AND O-MOLD CHANGED TO TPE, REV NOTES, ADD NOTE 7, ADD CABLE DIA.		molex		
	DIMENSION UNITS	SCALE					
$\frac{F}{A} = 0$	IN/mm	1:1.333333	EC NO: 690918		BRAD POWER M35 4 POLE TEE WITH MC 90 DEG. FEMALE TRI-KEY 14AWG DROP		
$\frac{F}{C} = 0$	GENERAL TOLERANCES (UNLESS SPECIFIED)		DRWN: RSTONE		2022/01/06		
$\frac{F}{P} = 0$	4 PLACES ±		CHK'D: MZIELINSKI		2022/01/27		
DIVISIONAL SYMBOLS	3 PLACES ±		APPR: BWOODMAN		2022/02/02		
	2 PLACES ±		INITIAL REVISION:		PRODUCT CUSTOMER DRAWING		
1 PLACE ±		DRWN: RSTONE		2013/05/16		DOCUMENT NUMBER	
0 PLACES ±		APPR: BWOODMAN		2013/06/21		SD-130068-019	
ANGULAR TOL ± °		THIRD ANGLE PROJECTION		DRAWING		SERIES	
DRAFT WHERE APPLICABLE MUST REMAIN WITHIN DIMENSIONS		C-SIZE		130068		MATERIAL NUMBER	
				SEE P/N CHART		CUSTOMER	
				GENERAL MARKET		SHEET NUMBER	
				1 OF 1			