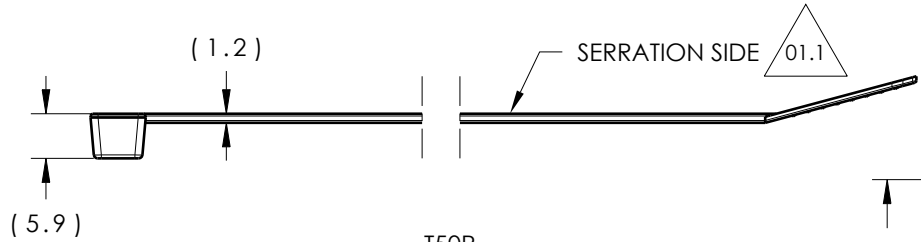
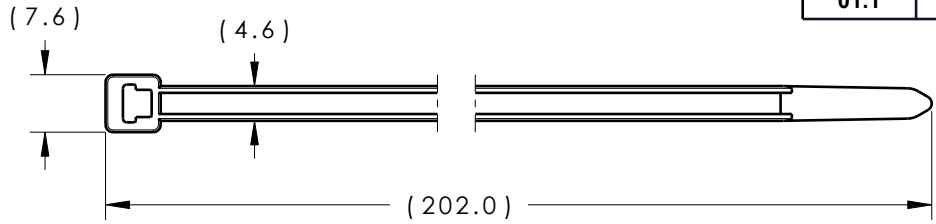
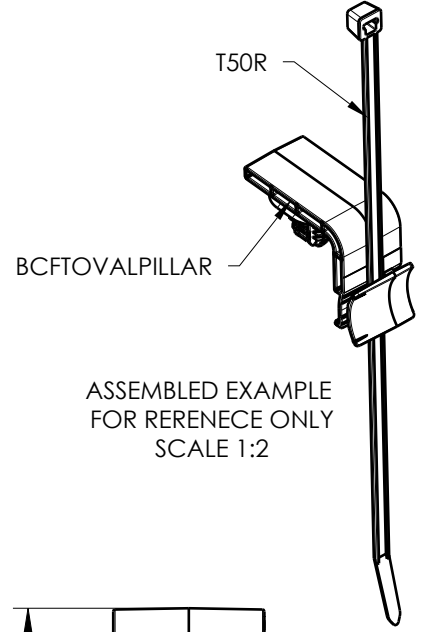
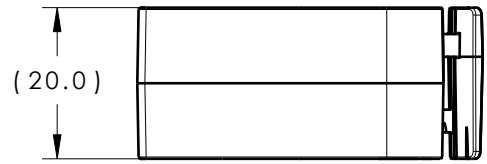


Revision Level			Revision Record	Changed	Date	Approved	Date
Drawing	State	Part					
01.1	Design Release		SEE ECN# 014267	EJH	1/19/18	CJR	1/19/18



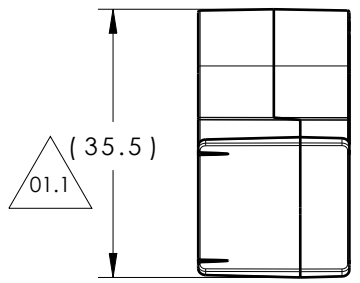
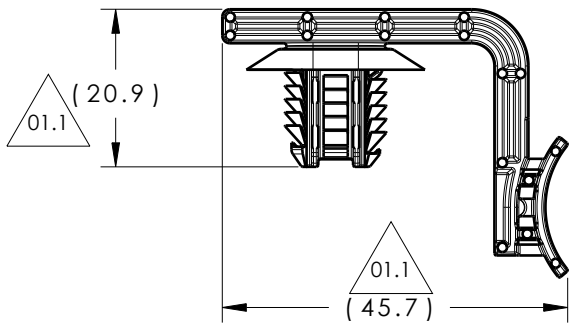
T50R
DELIVERY CONDITION: UNASSEMBLED SET



ASSEMBLED EXAMPLE
FOR RERENECE ONLY
SCALE 1:2

REFERENCE:

- PERFORMANCE REQUIREMENTS AT DRY AS MOLDED:
1. FIR TREE PUSH IN FORCE: 45 NEWTONS (10 LBS) MAX IN EACH APPLICABLE OVAL HOLE SIZE AND A PLATE THICKNESS OF 1.8mm.
 2. FIR TREE PULL OUT FORCE: 110 NEWTONS (25 LBS) MIN IN EACH APPLICABLE OVAL HOLE SIZE AND A PLATE THICKNESS OF 1.8mm.
 3. SHEET METAL THICKNESS RANGE: 0.60mm - 6.75mm
 4. APPLICABLE OVAL HOLE SIZES:
 - A. 6.2 X 12.2mm
 - B. 6.5 X 12.5mm
 - C. 6.5 X 13.0mm
 - D. 7.0 X 12.0mm
 5. MAXIMUM PERCENT REGRIND PERMISSIBLE: 25%
 6. MAX ALLOWABLE FLASH OR MISMATCH TO BE: 0.25mm



BCFTOVALPILLAR
DELIVERY CONDITION: UNASSEMBLED SET

TYPE	BUNDLE RANGE	LOOP TENSILE STRENGTH	CABLE TIES		MOUNT	
			DRAWING	MATERIAL	DRAWING	MATERIAL
T50RBCOVALALPILLAR-SET/ 156-01665	5 TO 50	225 N (50LBS)	CT2050007CST	PA66HS	16-0378-001-CSU	PA66HIRHS

Material SEE CHART	Units	millimeters	The copyright of this drawing is reserved by HellermannTyton. It is issued on condition that it is not reproduced, copied or disclosed to a third party, either wholly or in part, without the consent of HellermannTyton.	Drawn	CJR	7/14/16	Article/Type-No	SEE CHART	Scale	1:1
	Tolerance defined on each dimension	Approved		SJA	7/14/16	Title		T50R CABLE TIE WITH A PILLAR HARNESS CLIP	Project Number	16-0378
		<p>North America Email: corp@htamericas.com Web: www.hellermann.tyton.com</p>			Drawing-No		PRODUCTION : Phase	Format	AH	
							16-0378-101-CSU		Sheet	1/1