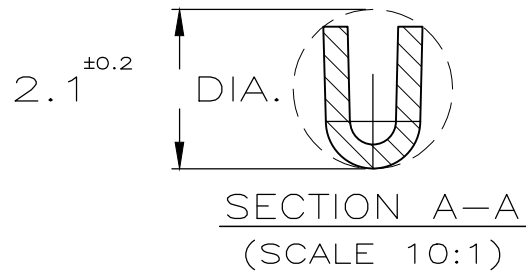
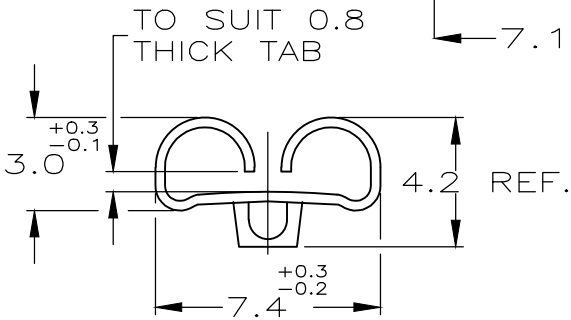
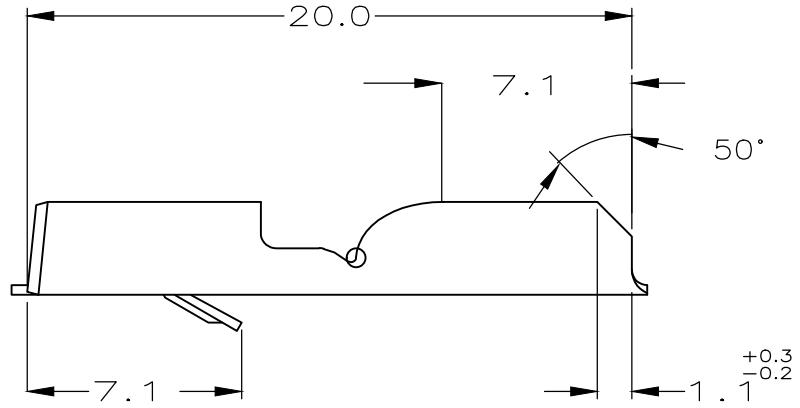
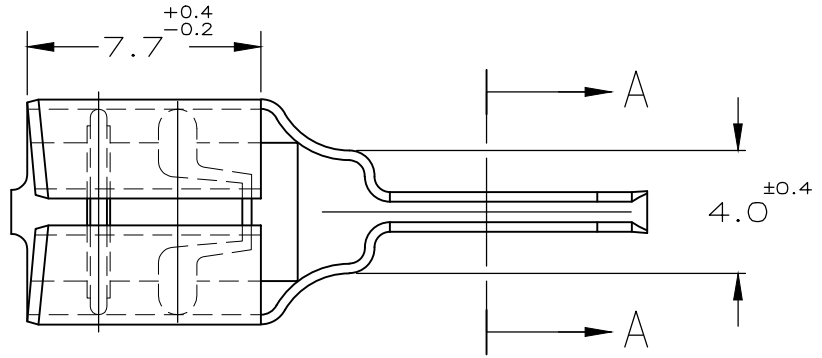


REVISIONS					
P	LTR	DESCRIPTION	DATE	DWN	APVD
	P2	REVISED PER ECR-19-008681	15OCT2019	PC	DL



RELEASED FOR PUBLICATION

ALL RIGHTS RESERVED.

THIS DRAWING IS UNPUBLISHED.

© COPYRIGHT - TE Connectivity

OBSOLETE	160950-4	ARGENTATO (SILVERPLATED)	OTTONE (BRASS)	153259-4	P
	160950-3	STAGNO SENZA PIOMBO (LEAD FREE TIN)	OTTONE (BRASS)	153259-3	P
OBSOLETE	160950-1	NUDO (UNPLATED)	OTTONE (BRASS)	153259-1	P
	VERSION A NASTRO (STRIP VERSION)	FINITURA/COLORE (FINISH/COLOUR)	MATERIALE (MATERIAL)	NUMERO (PART NUMBER)	REV.

DIMENSIONS: mm	DWN H.YAALI	16MAY2003	MATERIAL	-	FINISH	-	
	CHK C. TARTARI	-					
TOLERANCES UNLESS OTHERWISE SPECIFIED:	APVD -	PRODUCT SPEC -					NAME FASTIN-FASTON® Connector 6.3 mm sr. RECEPTACLE CONTACT FOR PCB (LOOSE PIECE)
0 PLC ± -	1 PLC ± 0.3	2 PLC ± -	3 PLC ± -	4 PLC ± -	ANGLES ± 2°	WEIGHT	
		APVD -	APPLICATION SPEC -	SIZE A4	CAGE CODE 00779	DRAWING NO C-153259	RESTRICTED TO -
CUSTOMER DRAWING			SCALE	-	SHEET	1 OF 1	REV P2