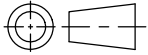
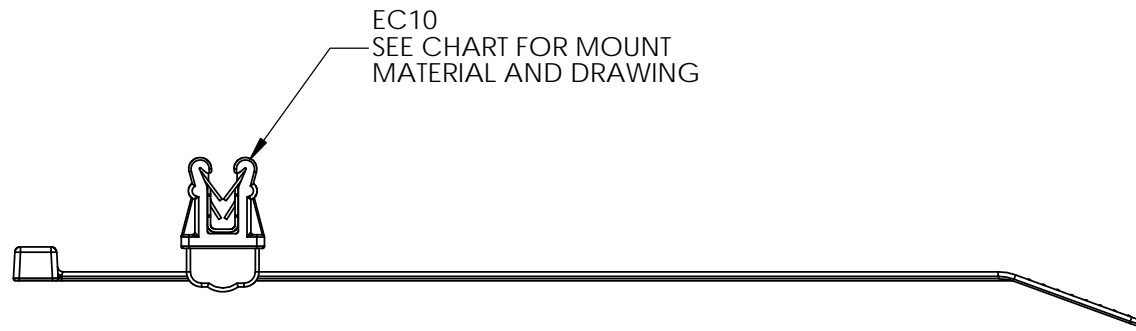
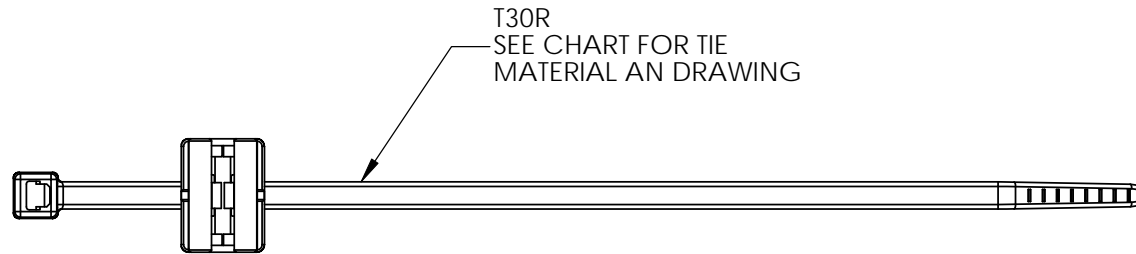


SW2010



Revision level		Revision Record	Changed	Date	Approved	Date
Drawing	Part					
00	-	SEE ECN# 011849	AAC	07/25/2011	AAC	07/25/2011



Material SEE CHART	TYPE	BUNDLE RANGE	CABLE TIE		MOUNT		
	T30REC10	1.5 TO 22	DRAWING CT2030001CST	MATERIAL PA66HS	DRAWING 02-383-002-CSG	MATERIAL PA66HIRHS	
Units inches Dimension without tolerances details to: .XXXX = ± .0005 .XXX = ± .005 .XX = ± .01 .X = ± .03 None = ± .06 ∠ = ±0.5°	Drawn	AAC	05/23/2011	Article/Type-No T30REC10		Scale 1:2	
	Approved	AAC	07/25/2011	Title T30R STANDARD CABLE TIE WITH EC10 MOUNT		Project Number PRPNT383-02	
	HellermannTyton North America Email: corp@htamericas.com Web: www.hellermann.tyton.com			Drawing-No		Production : Phase	Format AH
				02-0383-007-CSU			Sheet 1/1

The copyright of this drawing is reserved by HellermannTyton. It is issued on condition that it is not reproduced, copied, or disclosed to a third party, either wholly or in part, without the consent of HellermannTyton.

Product Number
Cross Reference Record

Uncontrolled Document

Pre-UNS Number System	(New) UNS Universal Number System	Customer Part Number
Product Number T30REC10	Product Number 156-00869	Product Number -
Reference Drawing Number: 02-0383-007-CSU		

Issued By:	(New) UNS Product Number	Issue Date:
HellermannTyton	Universal Numbering System	February 1, 2012