

**PLEASE CHECK WWW.MOLEX.COM FOR LATEST PART INFORMATION**

**Part Number:** [47481-0001](#)  
**Status:** **Active**  
**Description:** 2.54mm Pitch SIM Card Connector, Guide and Holder Style, 6 Circuits, SMT, with Linear Solder Tabs, Housing Height 2.70mm, with 2 Securing Nails, Lead-Free

**Documents:**

[3D Model](#)  
[Drawing \(PDF\)](#)

[RoHS Certificate of Compliance \(PDF\)](#)

**General**

Product Family	Memory Card Sockets
Series	<a href="#">47481</a>
Comments	2 Securing Nails
Component Type	Card Holder (Host)
Product Name	SIM
Style	Guide and Holder
Type	N/A
UPC	822350928243

**Physical**

Card Detection Switch	No
Circuits (Loaded)	6
Circuits (maximum)	6
Color - Resin	Black
Durability (mating cycles max)	5,000
Ejector Button	No
Ejector Button Side	N/A
Entry Angle	90° Angle
Keying to Mating Part	Yes
Material - Metal	Phosphor Bronze
Material - Plating Mating	Gold
Material - Plating Termination	Gold
Material - Resin	High Temperature Thermoplastic
Net Weight	601.633/mg
PCB Locator	No
PCB Mounting Side	Reverse
PCB Retention	Yes
Packaging Type	Embossed Tape on Reel
Pitch - Mating Interface	2.54mm
Pitch - Termination Interface	2.54mm
Plating min - Mating	0.762µm
Plating min - Termination	0.051µm
Ports	0
Temperature Range - Operating	-40°C to +85°C
Termination Interface: Style	Surface Mount

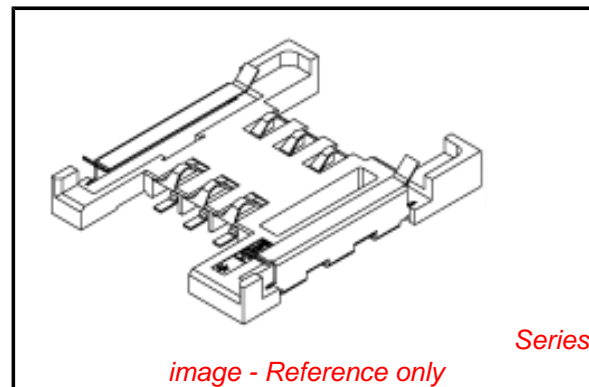
**Electrical**

Current - Maximum per Contact	0.5A
Shielded	Yes
Voltage - Maximum	5V AC (RMS)/DC

**Material Info**

**Reference - Drawing Numbers**

Sales Drawing	SD-47481-001
---------------	--------------



**EU RoHS**

**ELV and RoHS Compliant**  
**REACH SVHC Contains SVHC: No**  
**Low-Halogen Status Low-Halogen**

**China RoHS**



**Need more information on product environmental compliance?**

Email [productcompliance@molex.com](mailto:productcompliance@molex.com)  
 For a multiple part number RoHS Certificate of Compliance, [click here](#)

Please visit the [Contact Us](#) section for any non-product compliance questions.

**Search Parts in this Series**

47481Series

**Mates With**

Standard SIM Card

This document was generated on 12/19/2012

**PLEASE CHECK [WWW.MOLEX.COM](http://WWW.MOLEX.COM) FOR LATEST PART INFORMATION**