

1

2

3

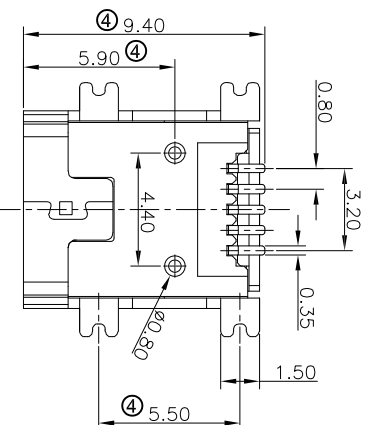
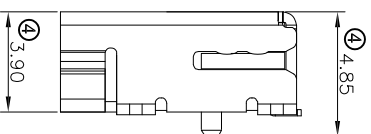
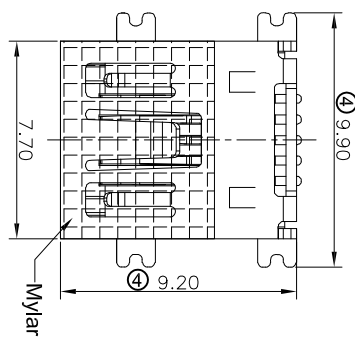
4

5

6

7

③ USB 2.0 COMPLIANT



④ NOTES:

④ 1. MATERIAL:

- 1.1 Housing: LCP+30%GF UL94V-0, Color Black
- 1.2 Contact : C5191-EH, T=0.25mm
- 1.3 Shell: C2680R-H, T=0.40mm

2. FINISH:

2.1 Contact:

Contact Area: Selective 30u"Au
Solder Area: 100u" MIN Tin Plated
Under Plate: 50u" MIN Ni Plated

2.2 Shell: Ni Plated

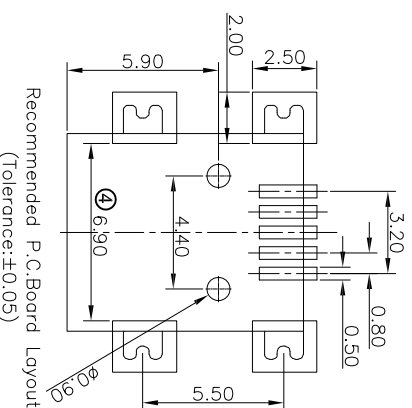
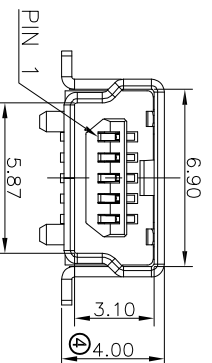
④ 3. MECHANICAL:

- 3.1 Mating Force: 3.57 kgf MAX
- 3.2 Unmating Force: 0.3 kgf MIN
- 3.3 Durability: 5000 Cycles MIN

④ 4. ELECTRICAL:

- 4.1 Current Rating: 1.0A
- 4.2 Dielectric Strength: 100V AC For 1 Minute
- 4.3 Contact Resistance: 50mΩ MAX
- 4.4 Insulation Resistance: 100MΩ MIN

- ④ 5. OPERATING TEMPERATURE: -55°C To +85°C.
- ④ PACKING: Tape&Reel+mylar



RoHS compliant

Unit: mm

Scale	Free TOLERANCE											
.X	±0.30	④	Update	23.05.2018	Segal	Drawn	25.03.2006	Alex	Customer-No.			
.XX	±0.20	④	Add "USB 2.0 COMPLIANT"	19.08.2013	Any	Approved	23.05.2018	Winnie	ASSMANN WSW-No.			
.XXX	±0.10	③	Update	07.07.2009	Dean				A-USB B-M5-SMD-C			
DIM	TOL	②	Drawn	25.03.2006	Alex				Drawing-No.	ASS 1456D CO	rev04	
X.°	±5°	①	Modification						Replace		SHEET	
X.°	±3°											
Angle	TOL	Id.										

1

2

3

4

5

6

7

ASSMANN
components

ASS 1456D CO rev04

A-USB B-M5-SMD-C

G

E

D

C

B

A

F

H

