

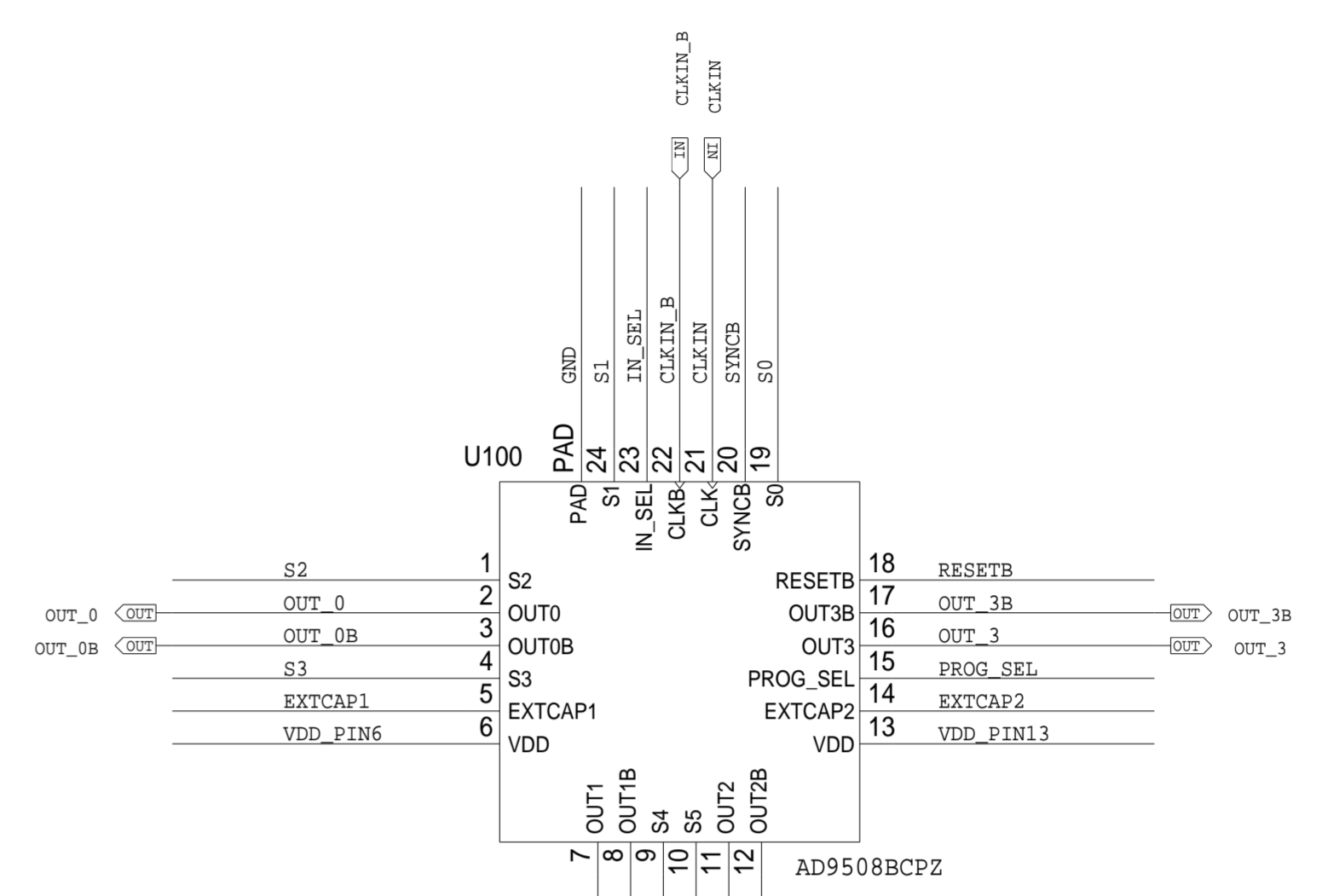
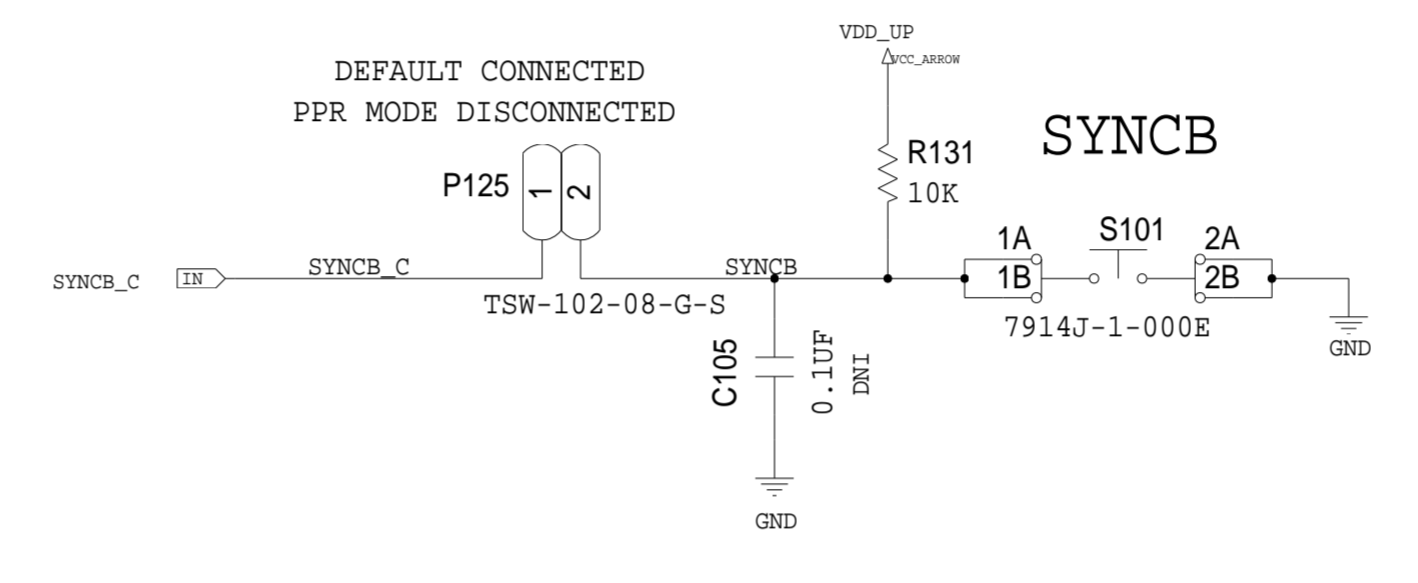
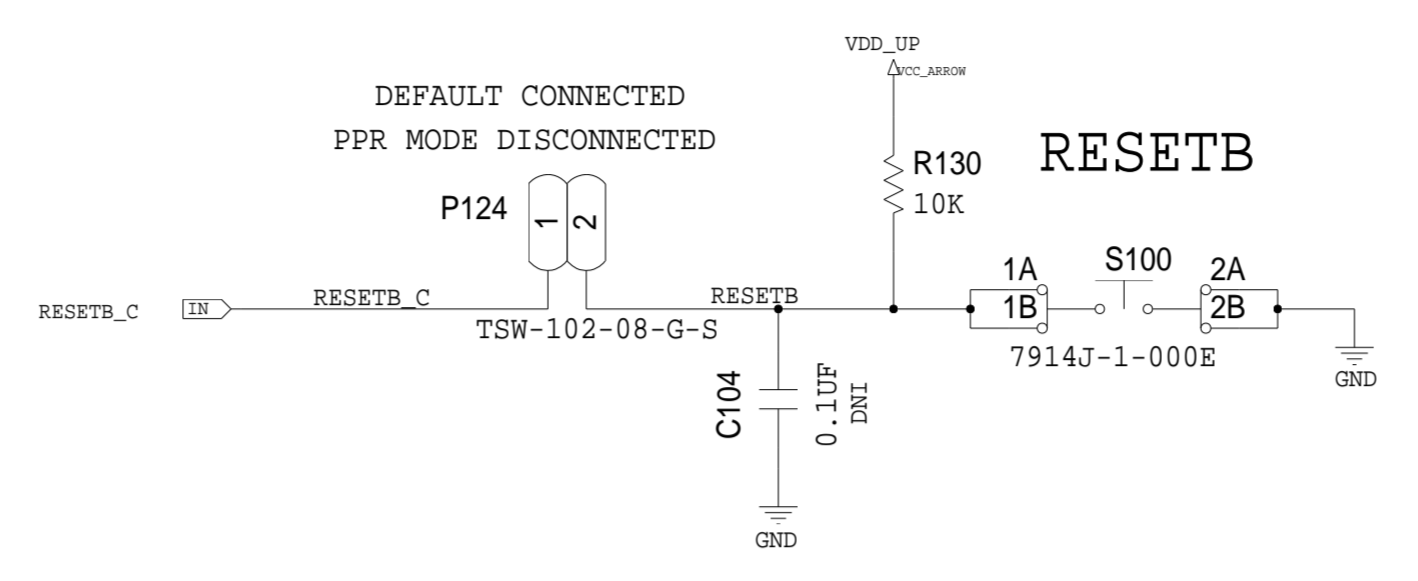
REVISIONS			
REV	DESCRIPTION	DATE	APPROVED

DIVIDER RATIO	820	1.8K	3.6K	8.2K
PULL DOWN	1	2	3	4
PULL UP	5	6	8	16

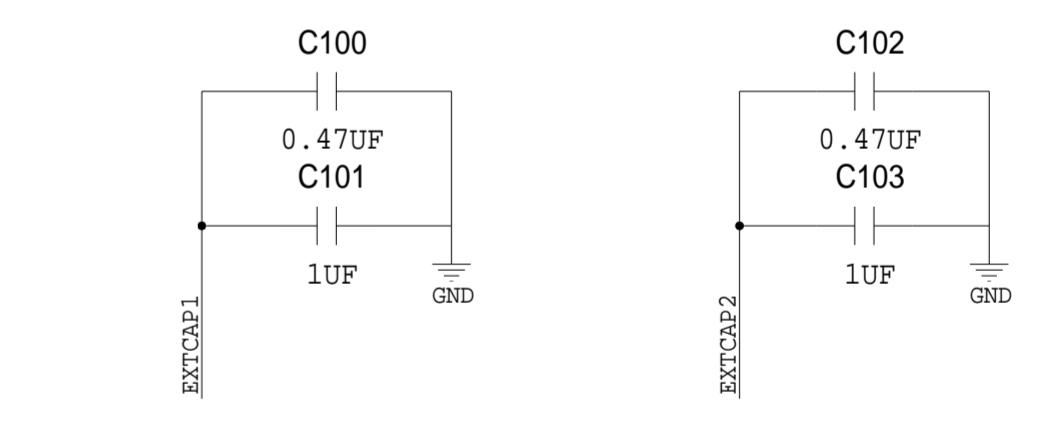
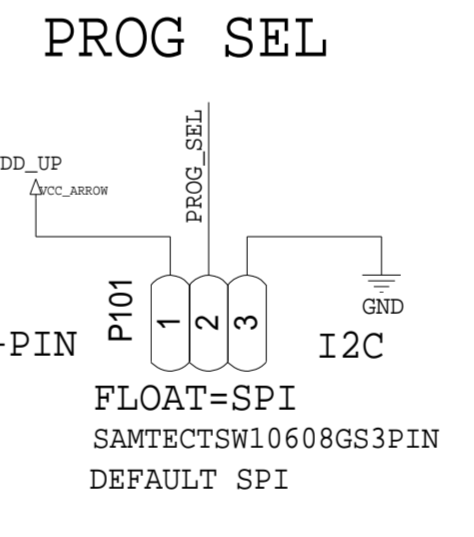
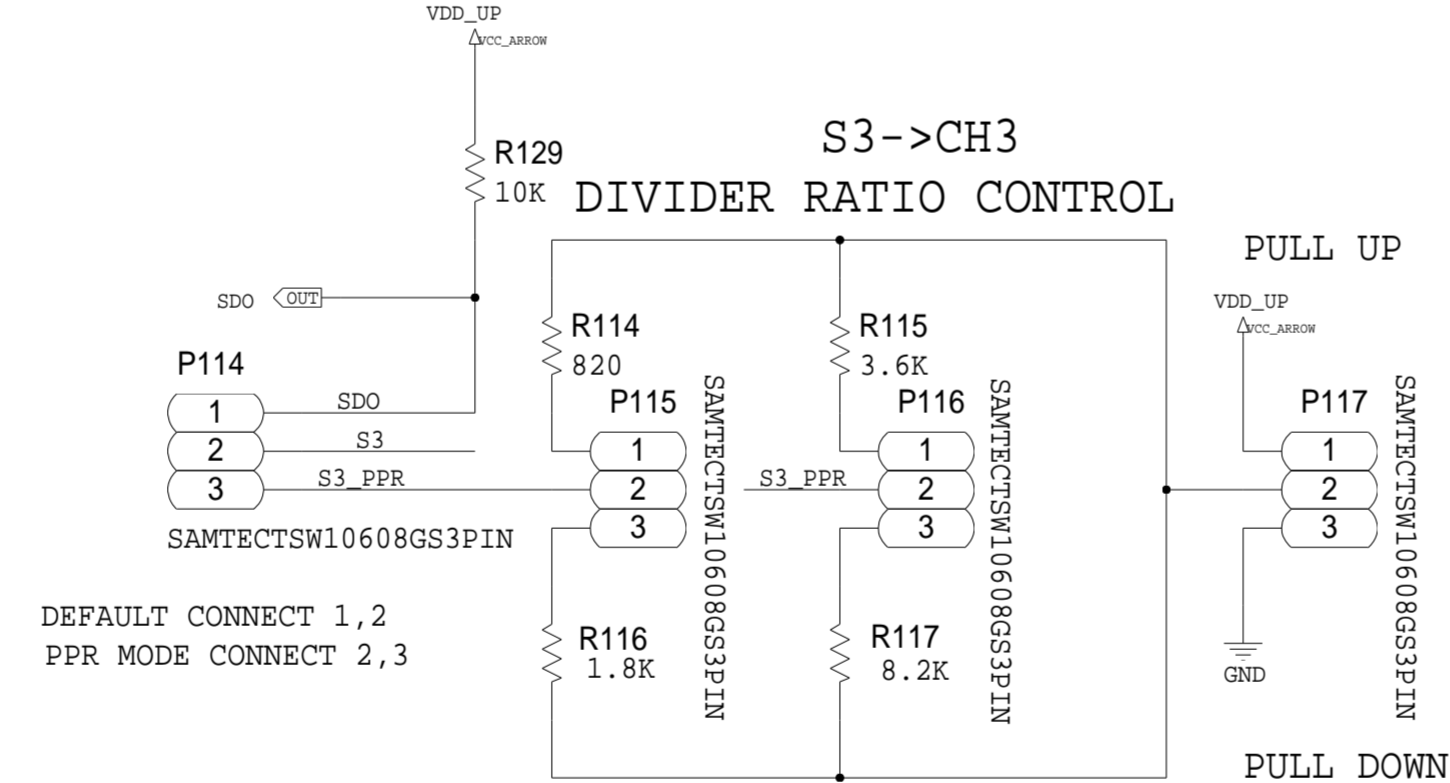
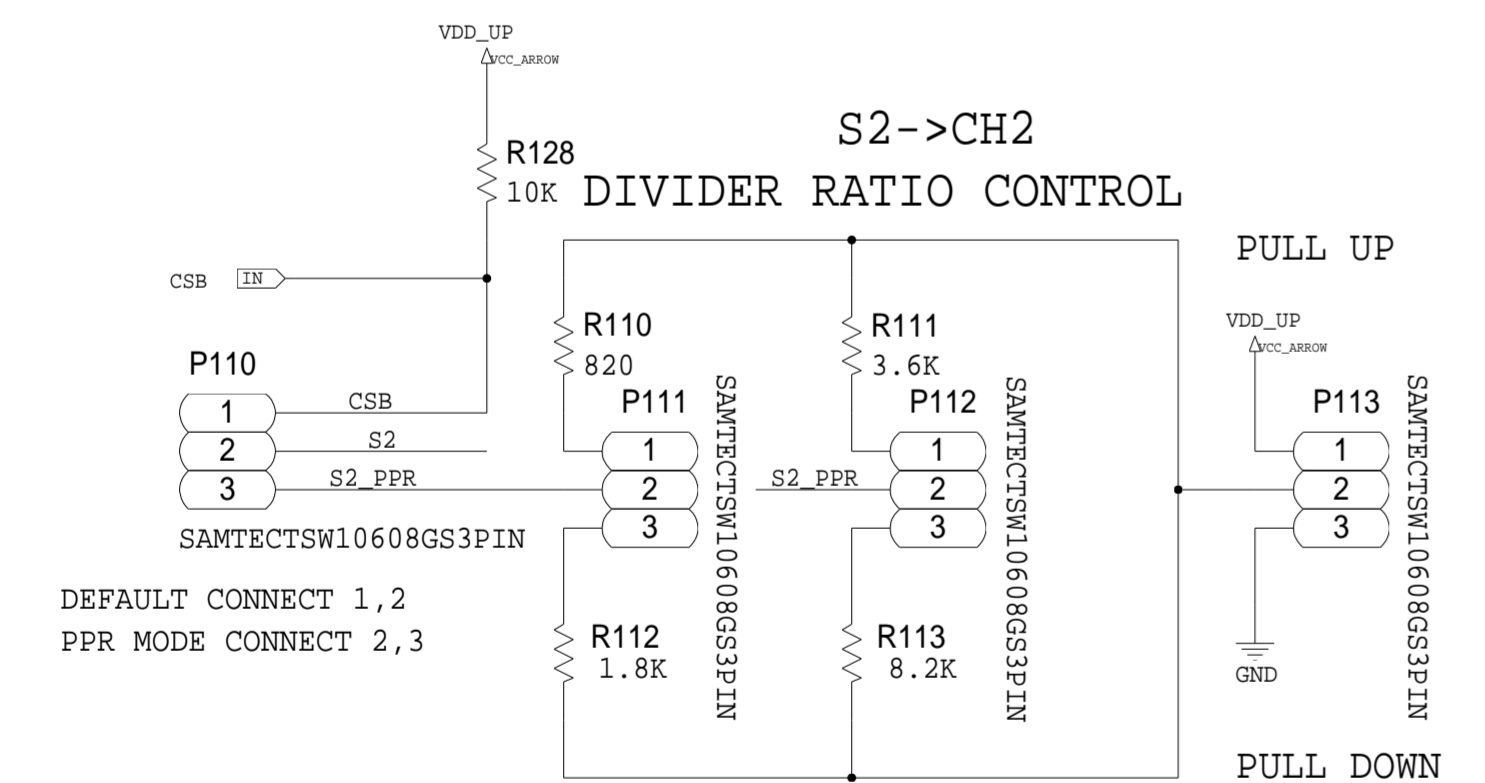
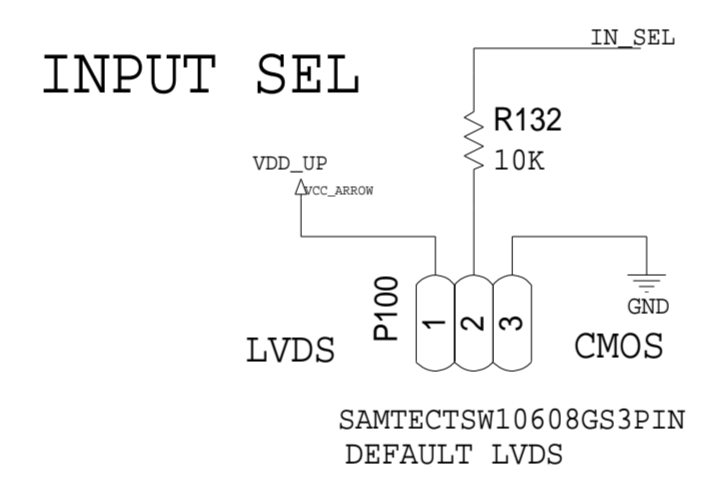
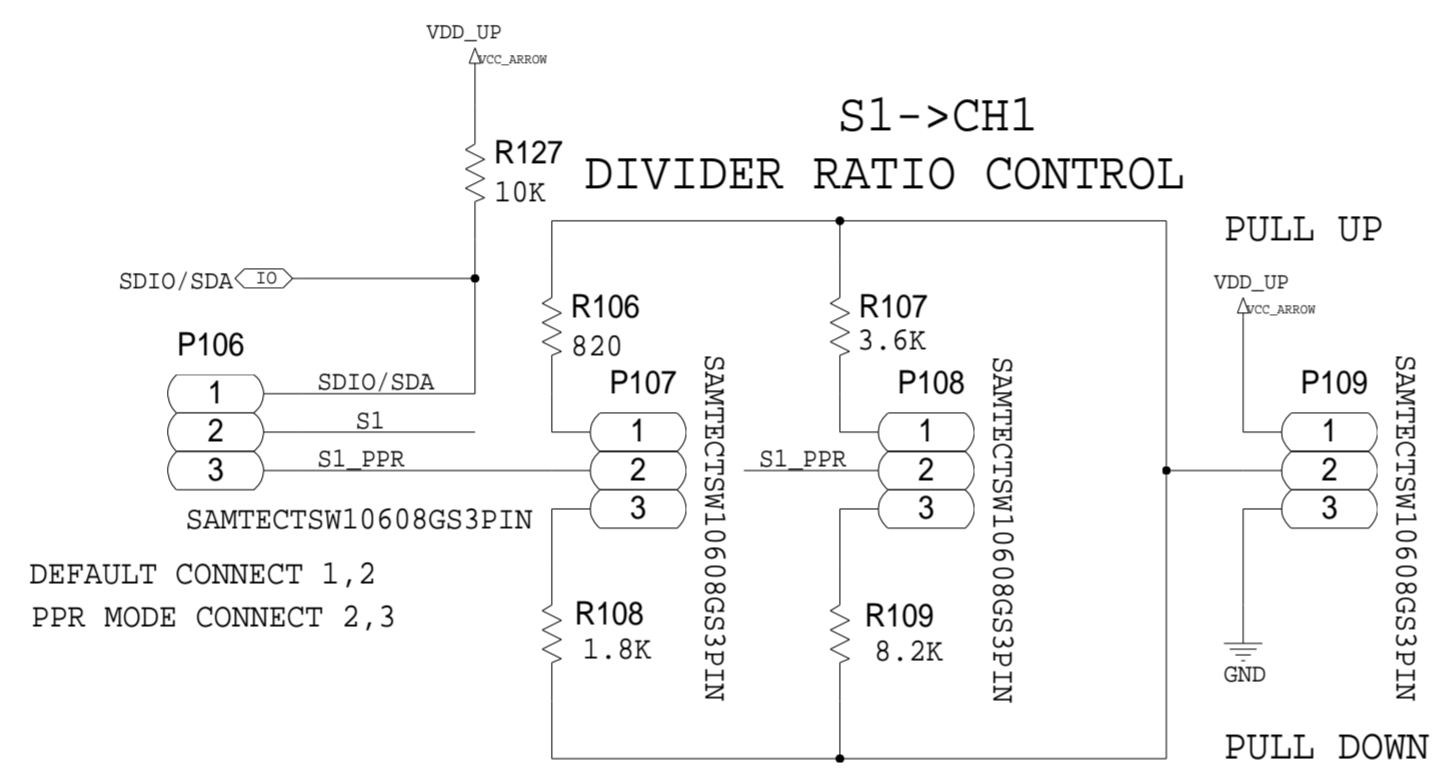
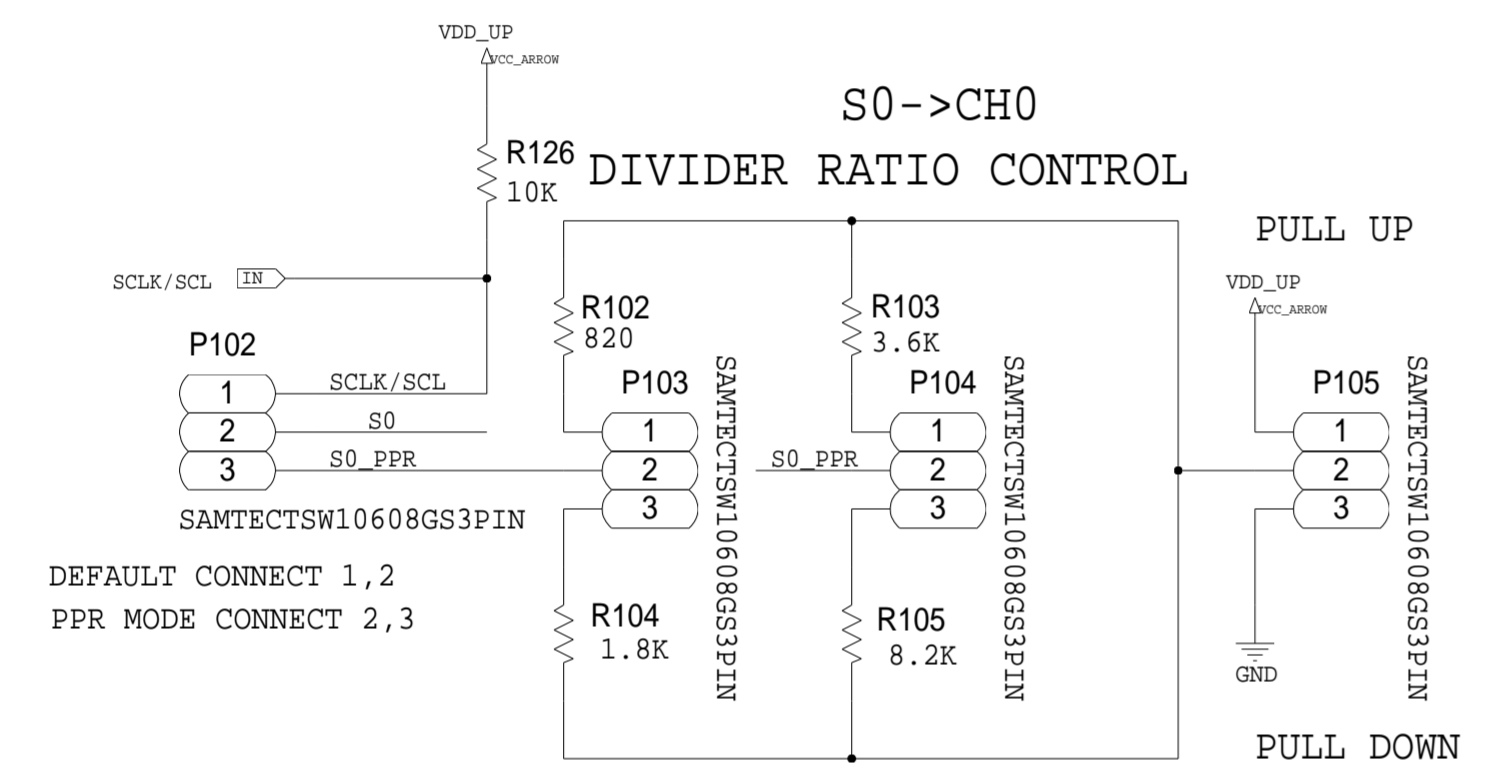
DIVIDER RATIO TABLE FOR S0/S1/S2/S3 PINS

CH1/CH0 CH3/CH2	820	1.8K	3.6K	8.2K
PULL DOWN	H/H	H/L	H/D	L/H
PULL UP	L/L	L/D	D/H	D/D

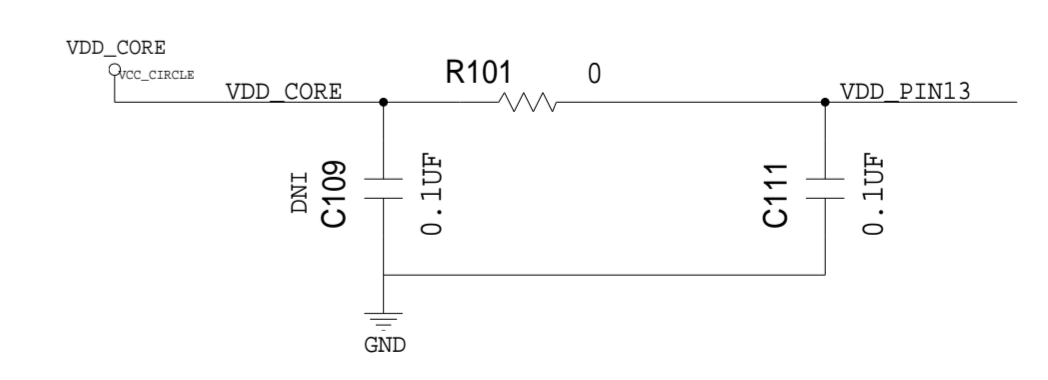
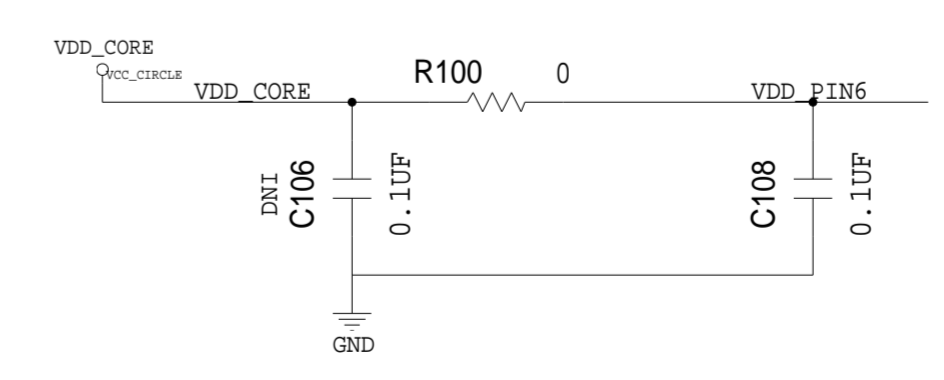
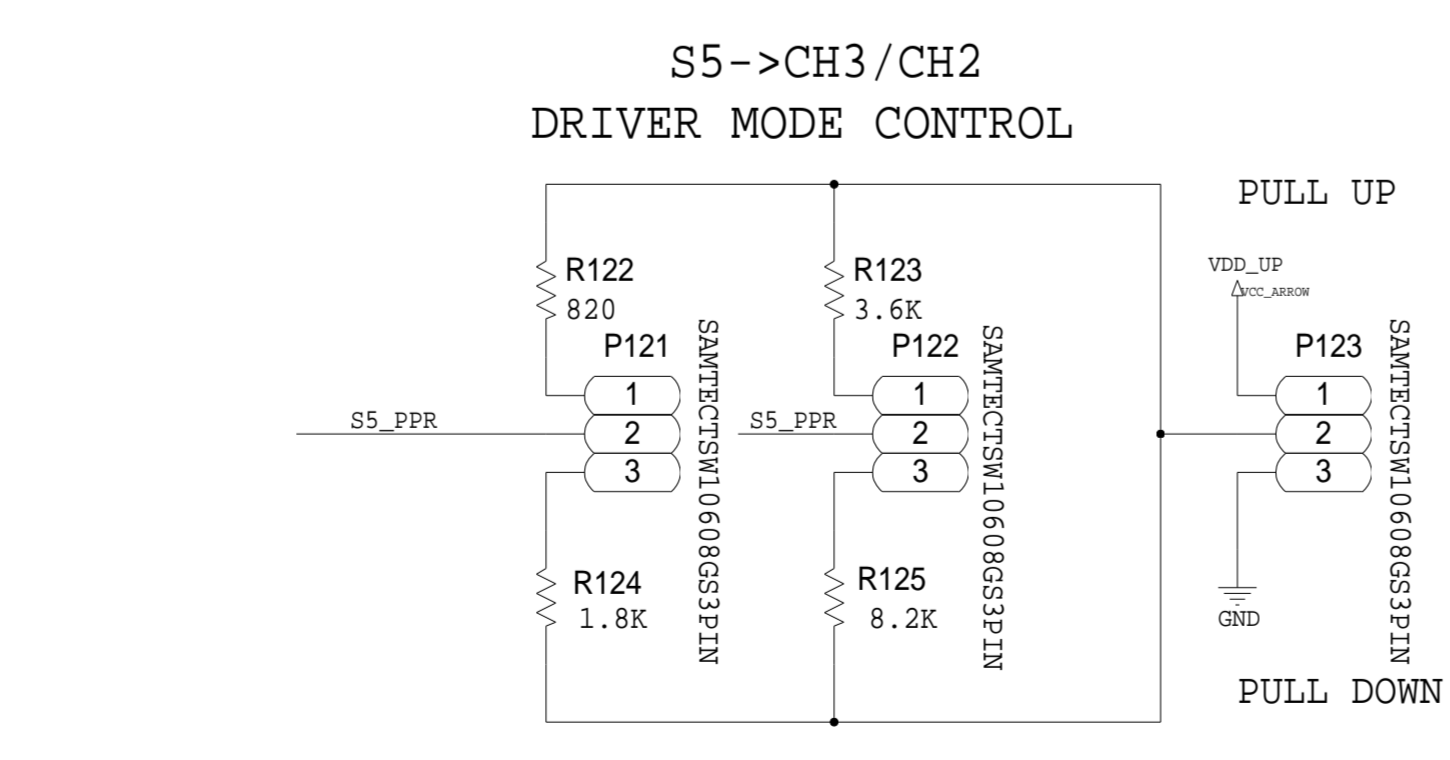
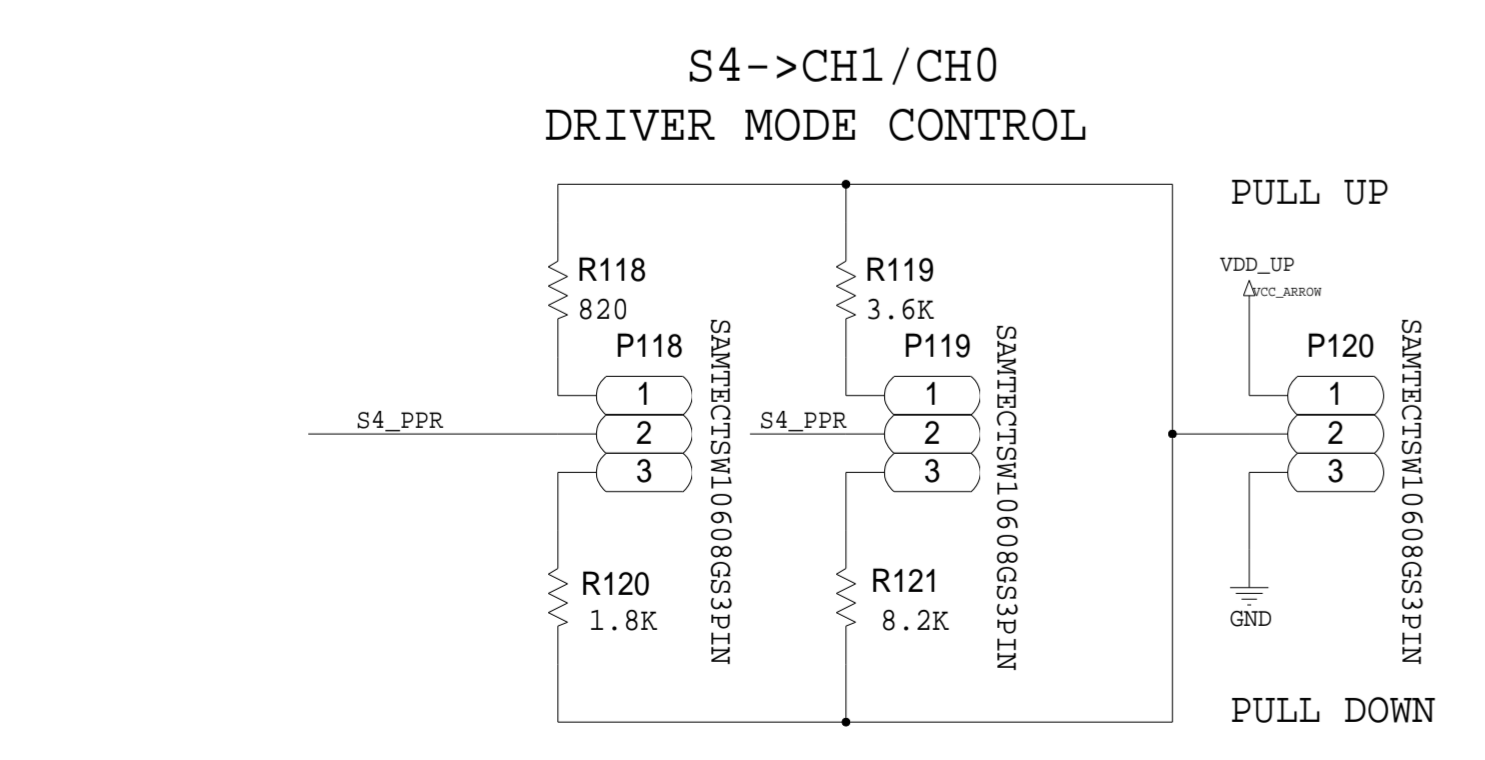
DRIVER MODE TABLE FOR S4,S5 PINS  
H=HSTL L=LVDS D=DISABLE S4=>CH1/CH0 S5=>CH3/CH2



AD9508



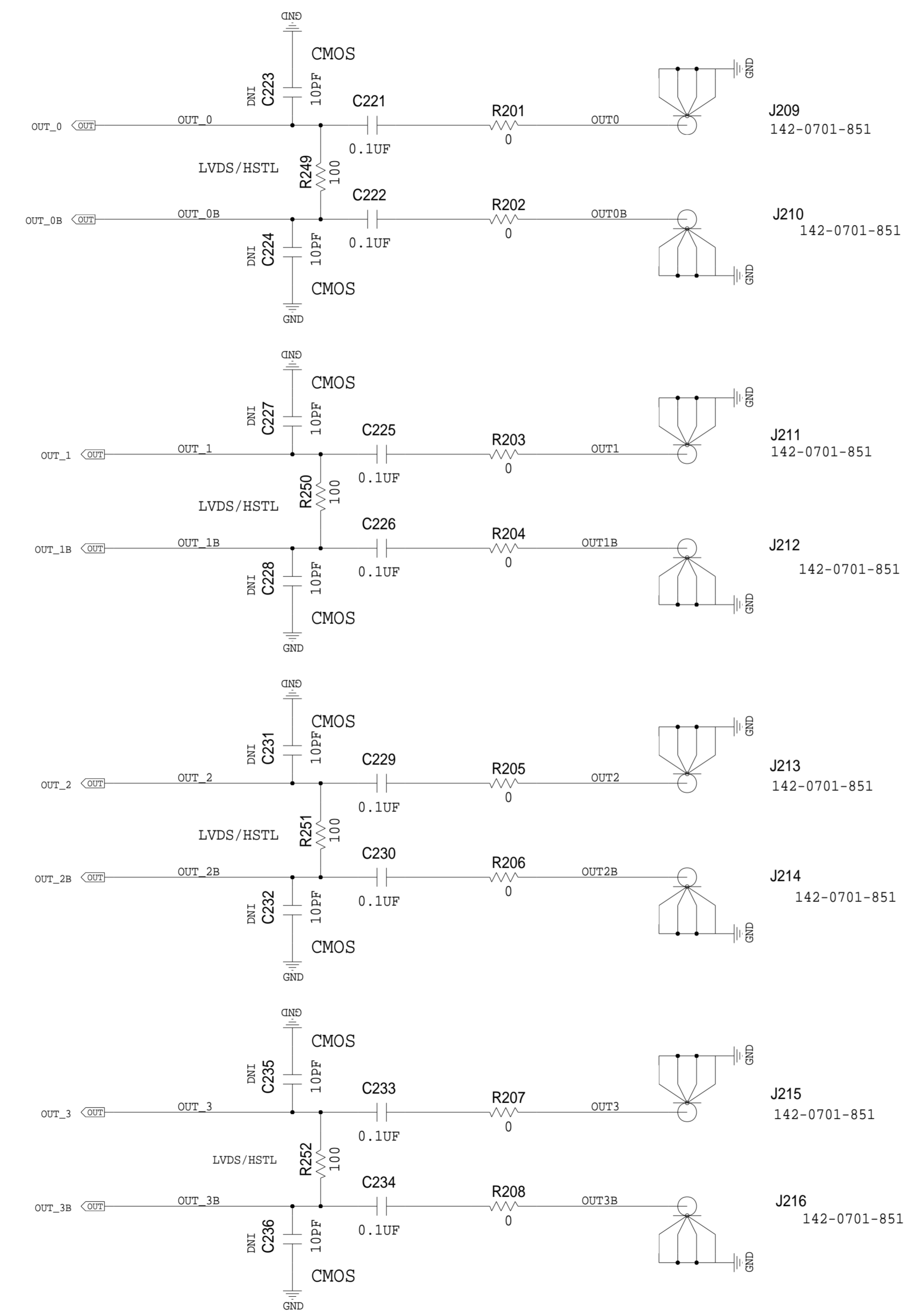
BYPASS CAPACITORS



	SCHEMATIC		
	AD9508 CUSTOMER EVALUATION BOARD		
DESIGN VIEW 30-8-2012	DRAWING NO. 9508CE01	REV B	
PTD ENGINEER L.Xu	SIZE D	SCALE NONE	SHEET 1 OF 4

REVISIONS			
REV	DESCRIPTION	DATE	APPROVED

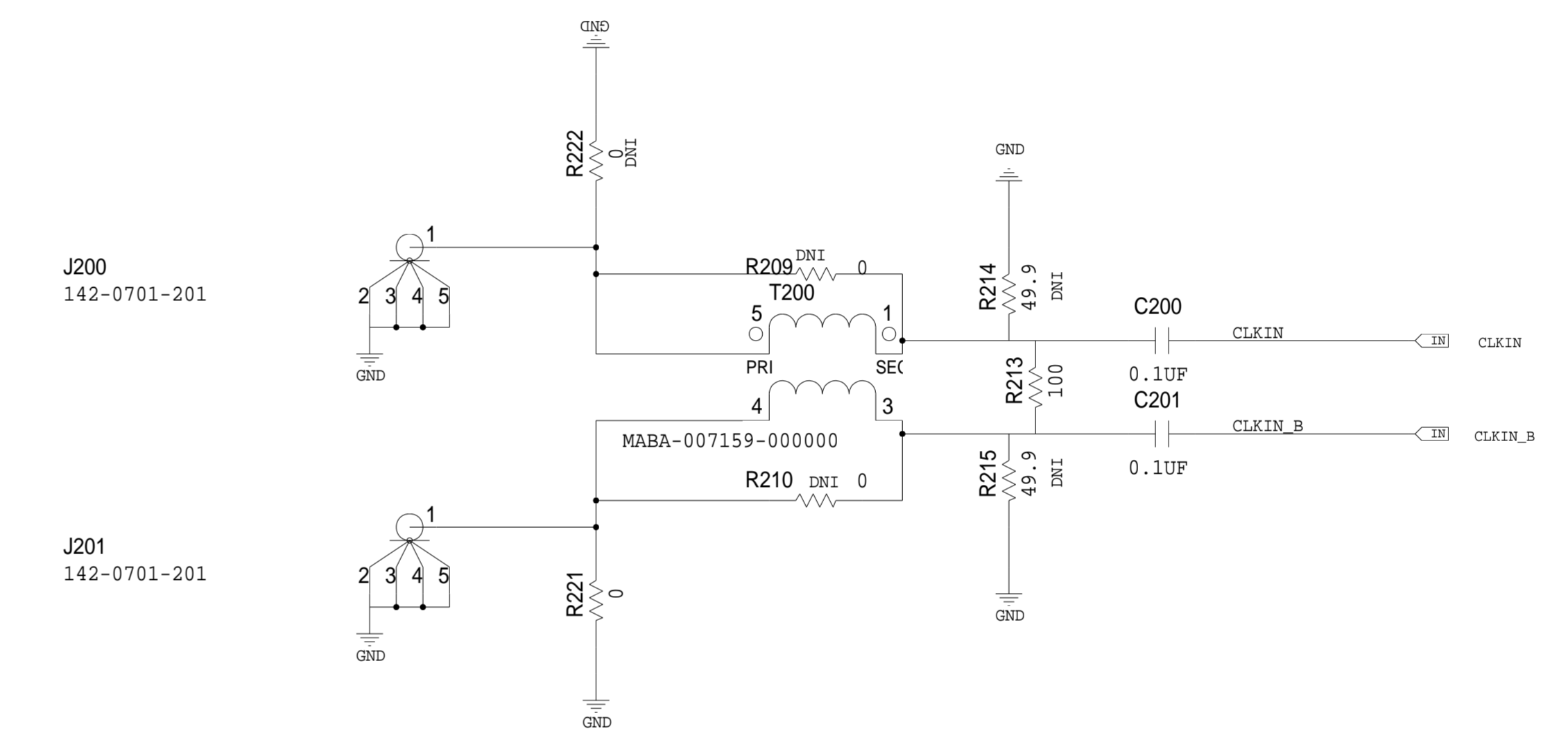
## CLOCK OUTPUTS



DEFAULT OUTPUT SETUP: LVDS AND HSTL DIFFERENTIAL MODE

IF YOU WANT TO OUTPUT CMOS MODE, REMOVE 100 OHM RESISTOR AND SOLDER DOWN 10 PF LAOD CAPACITORS

## CLOCK INPUT



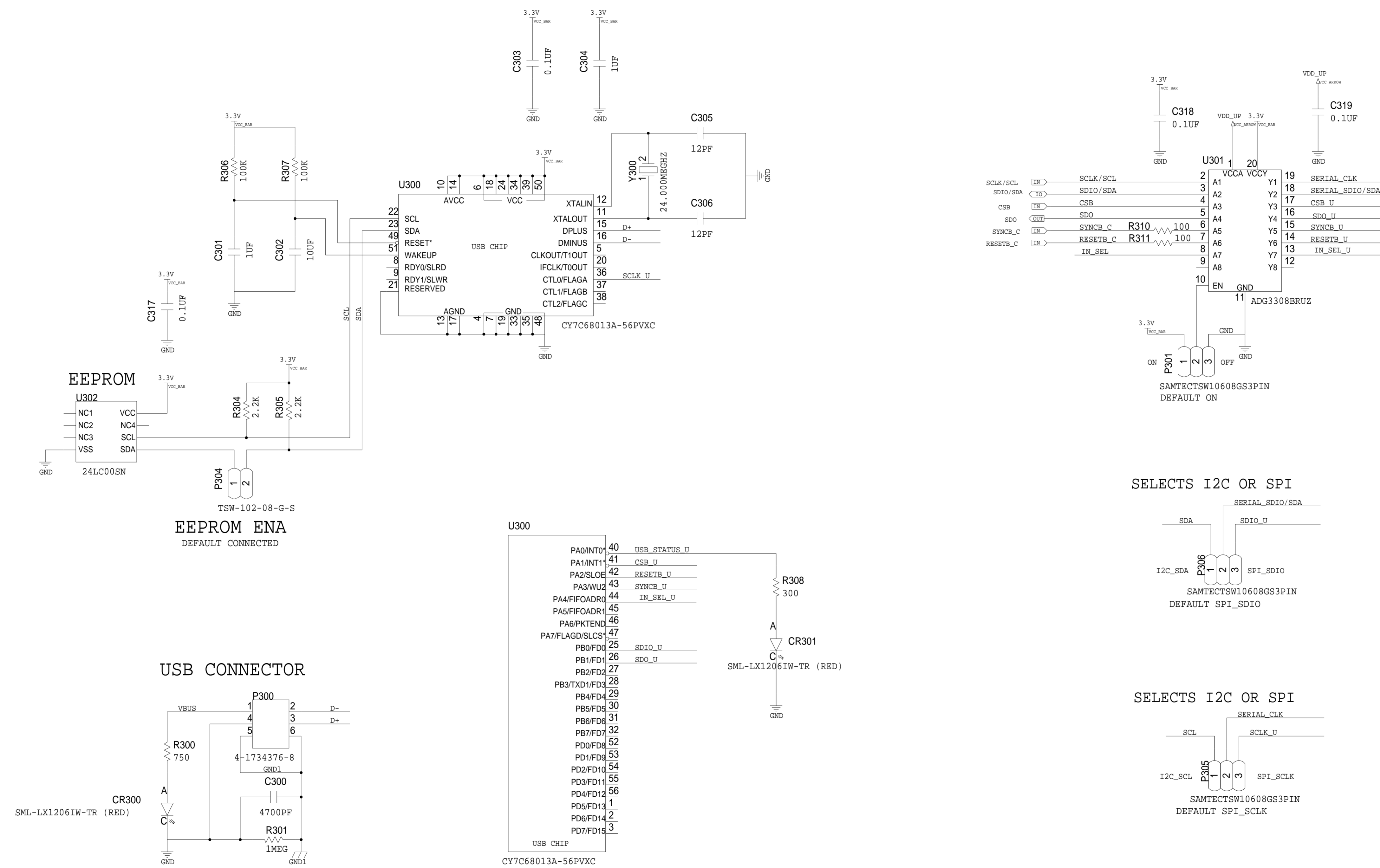
DEFAULT INPUT SETUP: SINGLE-ENDED TO DIFFERENTIAL BY BALUN FROM J200

IF YOU WANT TO INPUT DIFFERENTIAL SIGNAL, REMOVE T200 AND R221, SOLDER DOWN R209 AND R210

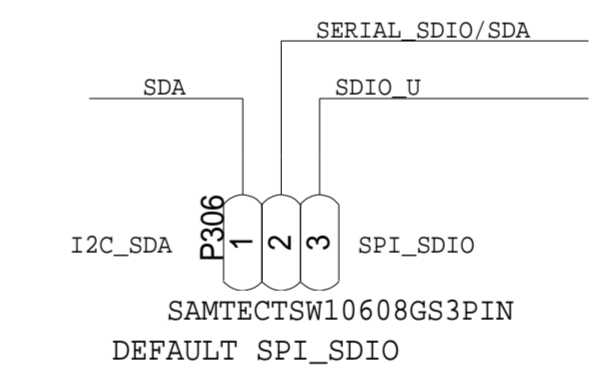
SCHEMATIC			
ANALOG DEVICES		AD9508 CUSTOMER EVALUATION BOARD	
DESIGN VIEW 30-8-2012	DRAWING NO. 9508CE01	REV B	
PTD ENGINEER L.Xu	SIZE D	SCALE NONE	SHEET 2 OF 4

REVISIONS			
REV	DESCRIPTION	DATE	APPROVED

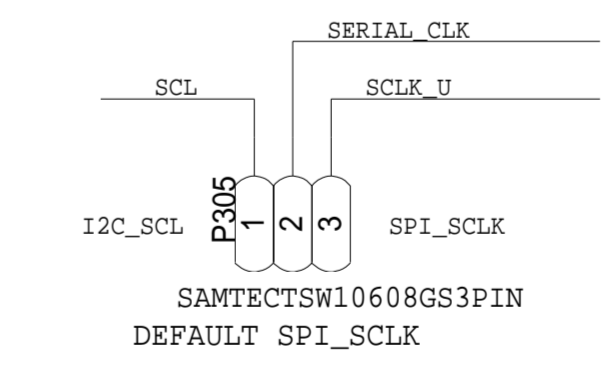
# USB SECTION



SELECTS I2C OR SPI



SELECTS I2C OR SPI



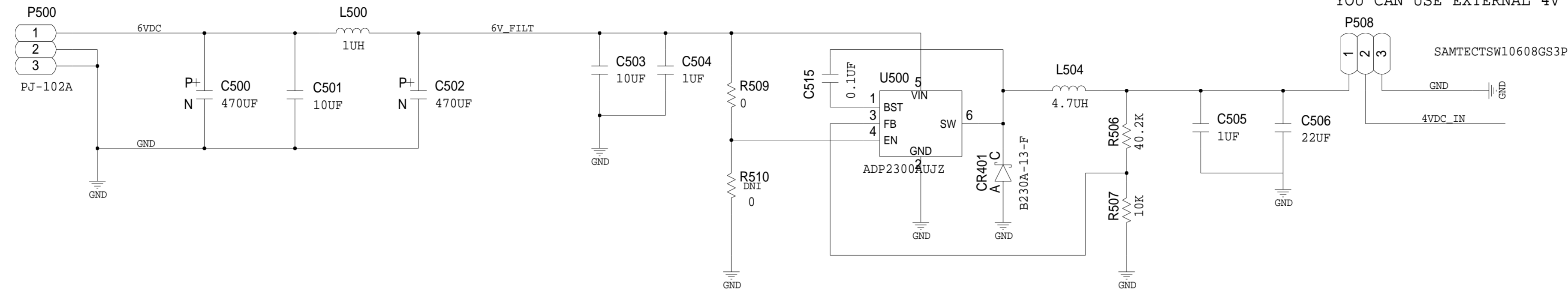
	<b>SCHMATIC</b>		
	AD9508 CUSTOMER EVALUATION BOARD		
	DESIGN VIEW 30-8-2012	DRAWING NO. 9508CE01	REV B
PTD ENGINEER L.Xu	SIZE D	SCALE NONE	SHEET 3 OF 4

REVISIONS			
REV	DESCRIPTION	DATE	APPROVED

# POWER SUPPLY SECTION

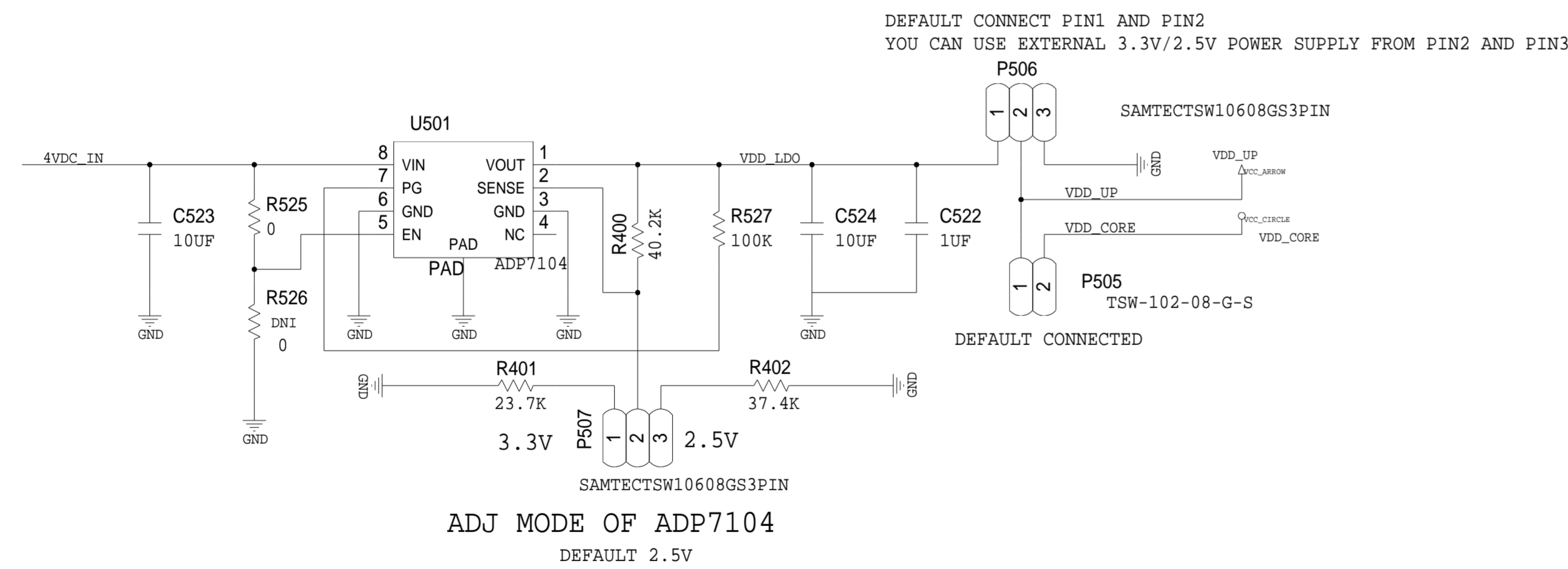
## DC TO DC STEP DOWN 6V TO 4V

### 6V WALL WART CONNECTION

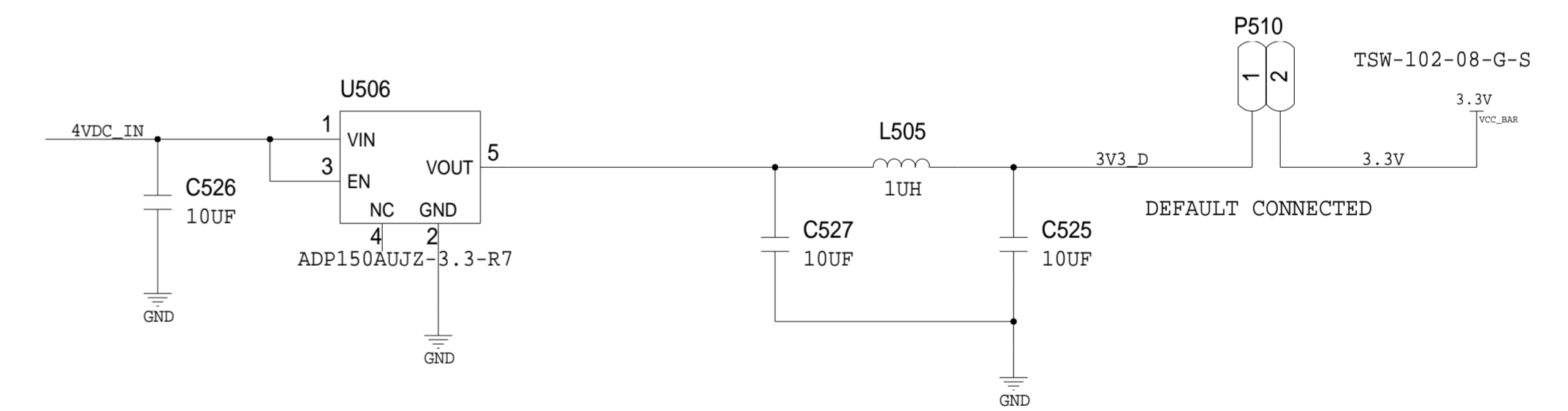


DEFAULT CONNECT PIN1 AND PIN2  
YOU CAN USE EXTERNAL 4V POWER SUPPLY FROM PIN2 AND PIN3

## 3.3V/2.5V REGULATORS FOR AD9508



## 3.3V REGULATORS FOR USB



	SCHEMATIC		
	AD9508 CUSTOMER EVALUATION BOARD		
	DESIGN VIEW 30-8-2012	DRAWING NO. 9508CE01	REV B
	PTD ENGINEER L. Xu	SIZE D	SCALE NONE
		SHEET 4 OF 4	