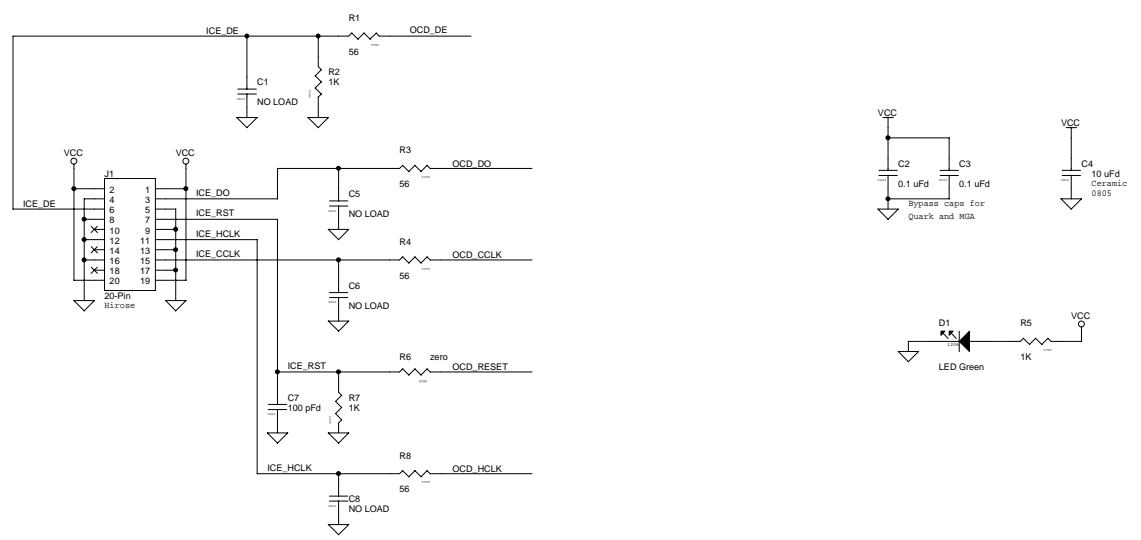
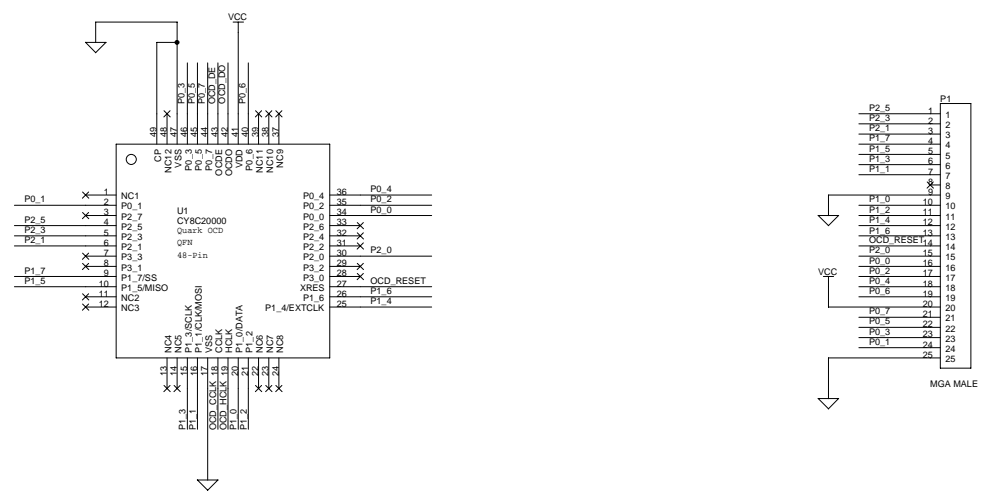


### Quark POD Schematic (24 MLF)



PCB: PDC-9316 \*\*  
PCA: 121-31600 \*\*

CYPRESS SEMICONDUCTOR © 2005		
Title	Quark 24 MLF POD	
Size	Document Number	Rev
C	REF-13465	**
Date:	Thursday, April 13, 2006	Sheet 1 of 1