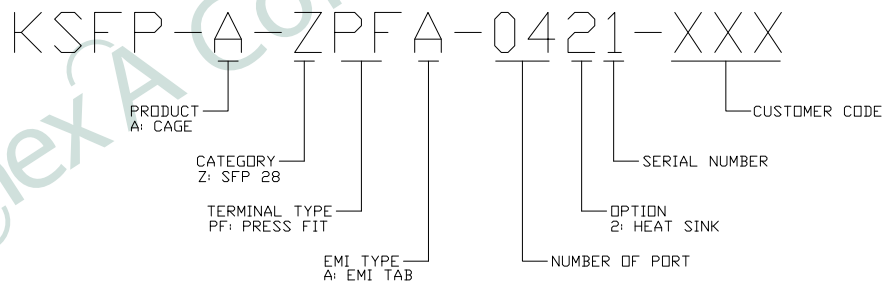
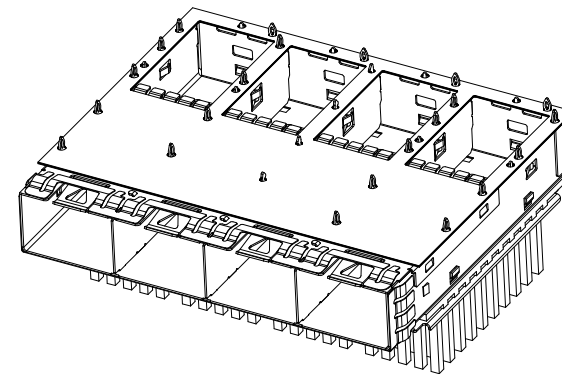
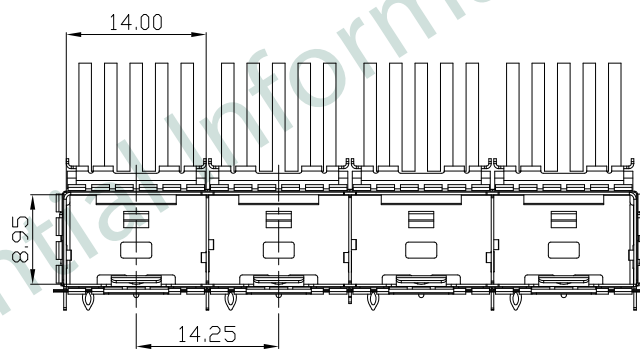
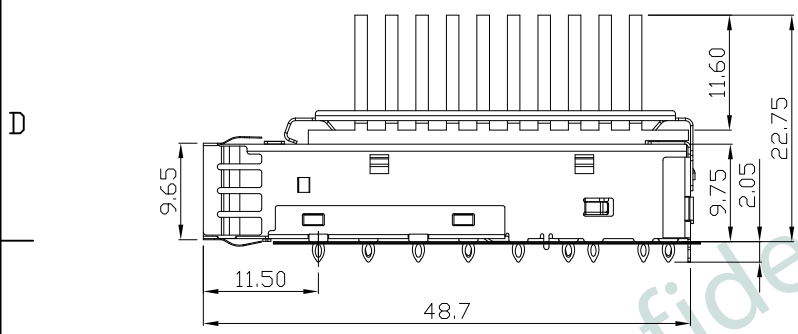
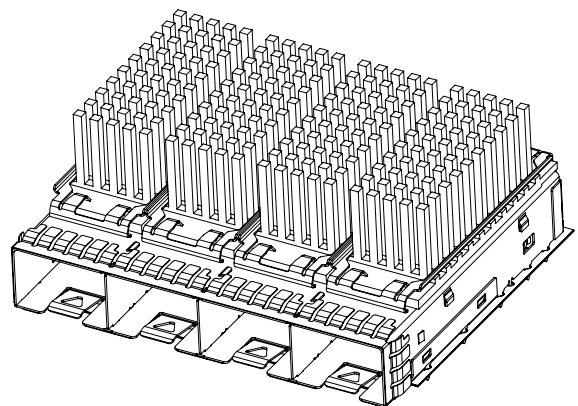
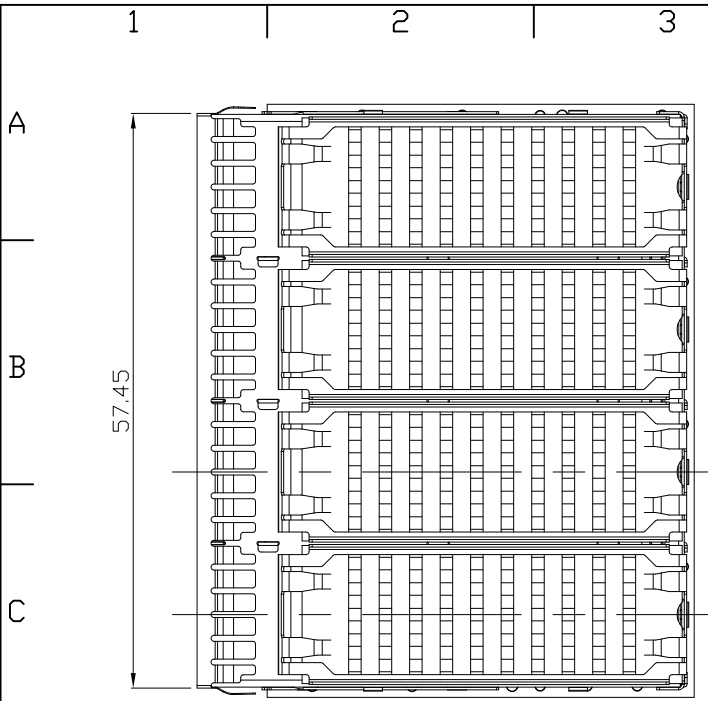


REV.	DATE	DESCRIPTION
01	Mar. 13, '19	1st RELEASE

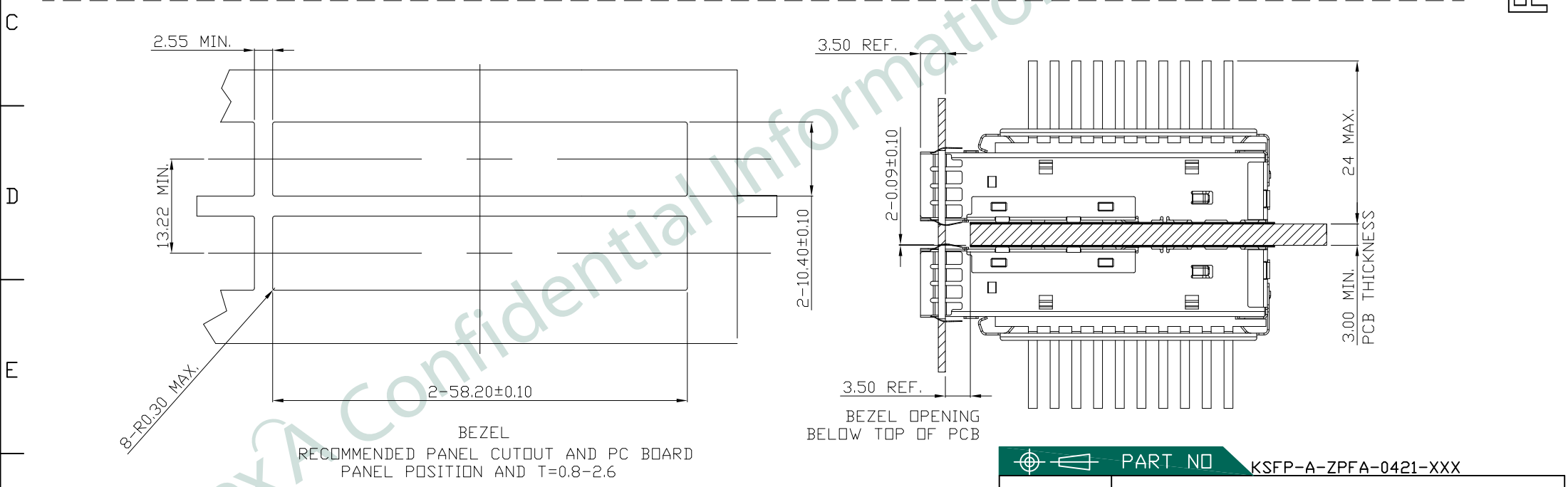
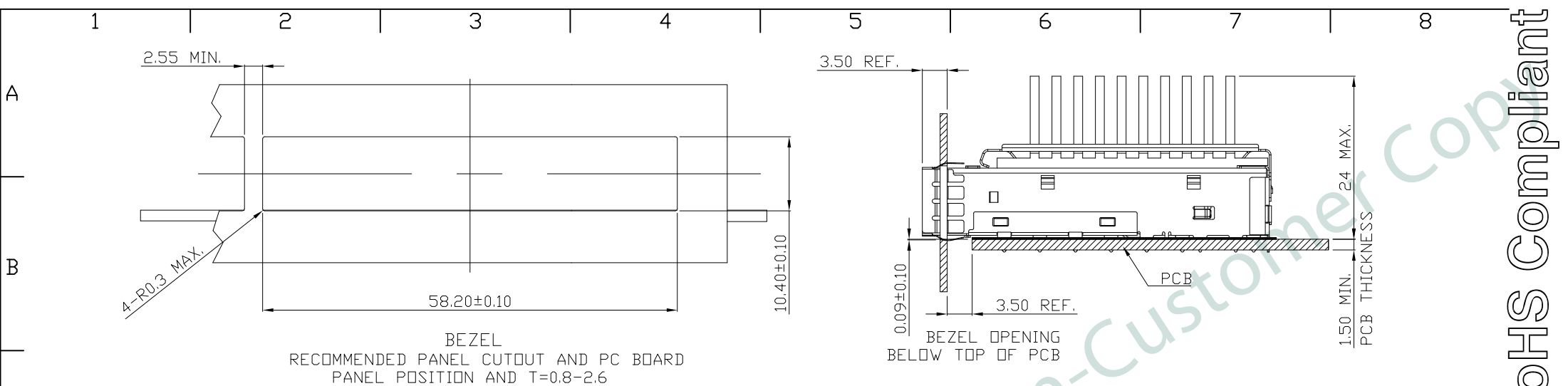
NOTES:

MATERIAL

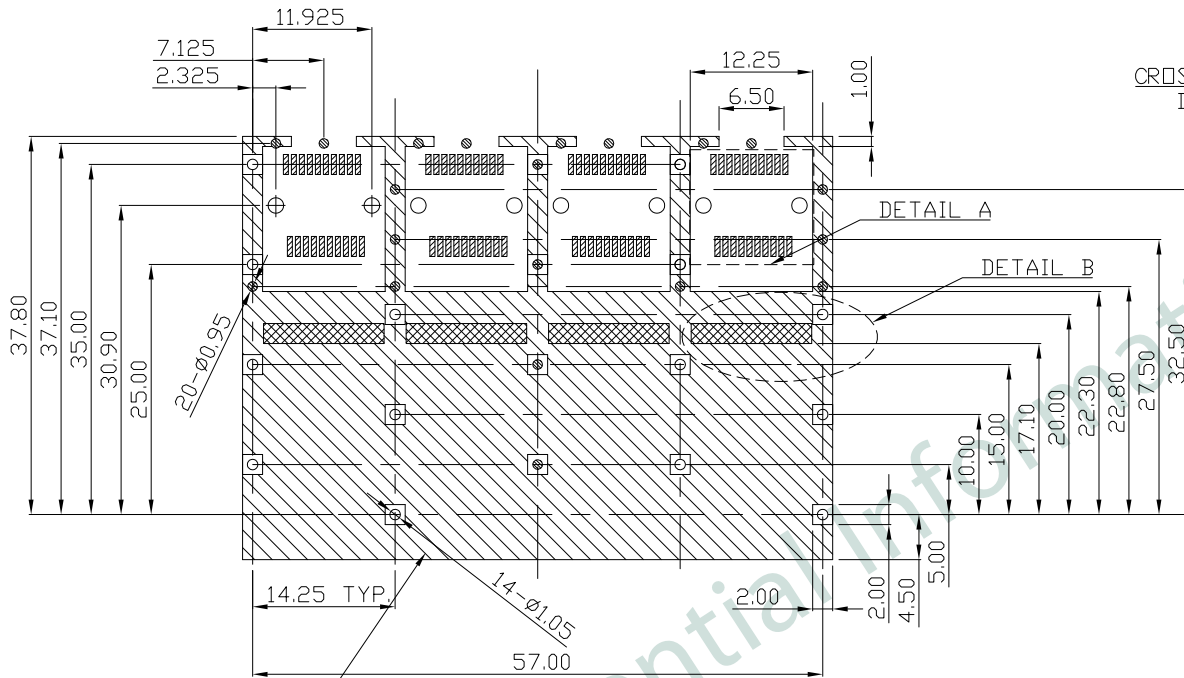
1. CAGE: COPPER ALLOY
2. FRONT EMI SPRING FINGERS: COPPER ALLOY
3. HEAT SINK: ALUMINUM_BLACK
4. CLIP: STAINLESS STEEL
5. BELLY PCB GASKETS: COATED POLYIMIDE
6. UNSPECIFIED TOLERANCE: .XXX ±0.15
 .XX ±0.25
 .X ±0.35



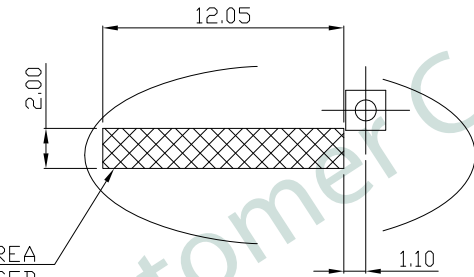
PART NO		KSFP-A-ZPFA-0421-XXX		
TITLE	SFP 28 1X4 CAGE, EMI TAB, HEAT SINK, PRESS FIT TYPE			
REV : 01				
UNIT	DRAWN	CHKD	DATE	SHEET
mm[inch]	CINDY	VINCENT	Mar. 13, '19	1 of 5



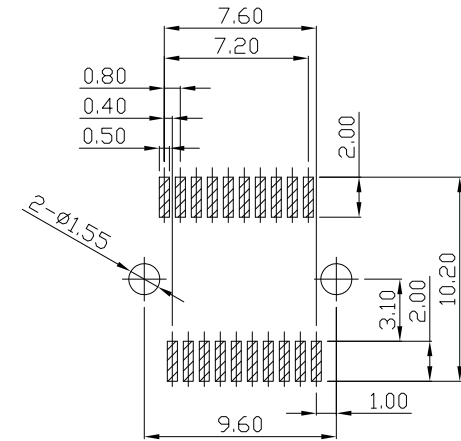
PART NO		KSFP-A-ZPFA-0421-XXX		
TITLE	SFP 28 1X4 CAGE, EMI TAB, HEAT SINK, PRESS FIT TYPE			
REV : 01				
UNIT	DRAWN	CHKD	DATE	SHEET
mm[inch]	CINDY	VINCENT	Mar. 13, '19	2 of 5



CROSS-HATCHED AREA
DENOTES EXPOSED
CHASSIS GROUND



DETAIL B
(SCALE 2:1)



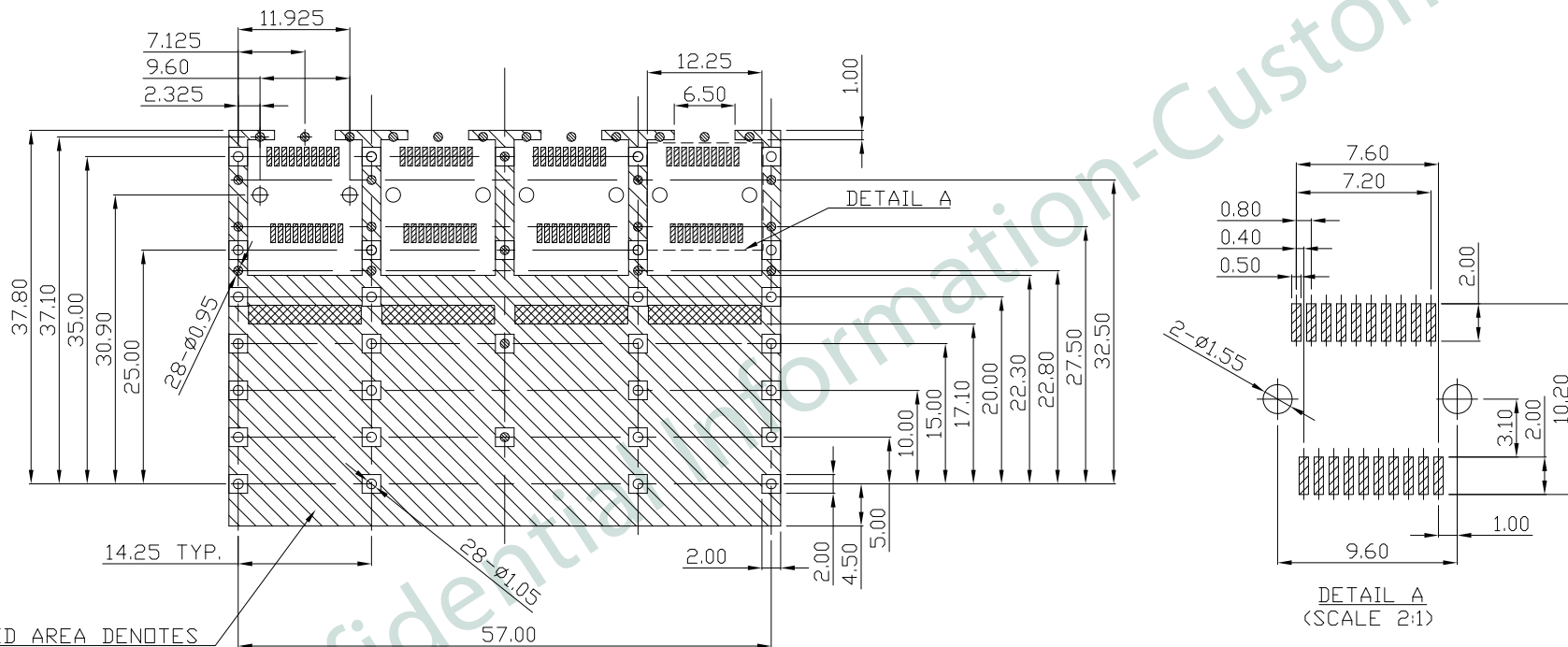
DETAIL A
(SCALE 2:1)

CROSS-HATCHED AREA DENOTES
COMPONENT AND TRACE KEEP-OUT

RECOMMENDED PCB LAYOUT (COMPONENT SIDE)
RECOMMENDED MINIMUM PCB T=1.50mm
(ALL TOLERANCES ARE ±0.05)
"□ ■ ●" THROUGH HOLE

RECOMMENDED PCB CONFIGURATION WITH KEEP-OUT
AREAS SINGLE SIDED APPLICATIONS

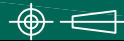
PART NO		KSFP-A-ZPFA-0421-XXX		
TITLE	SFP 28 1X4 CAGE, EMI TAB, HEAT SINK, PRESS FIT TYPE			
REV : 01				
UNIT	DRAWN	CHKD	DATE	SHEET
mm[inch]	CINDY	VINCENT	Mar. 13, '19	3 of 5

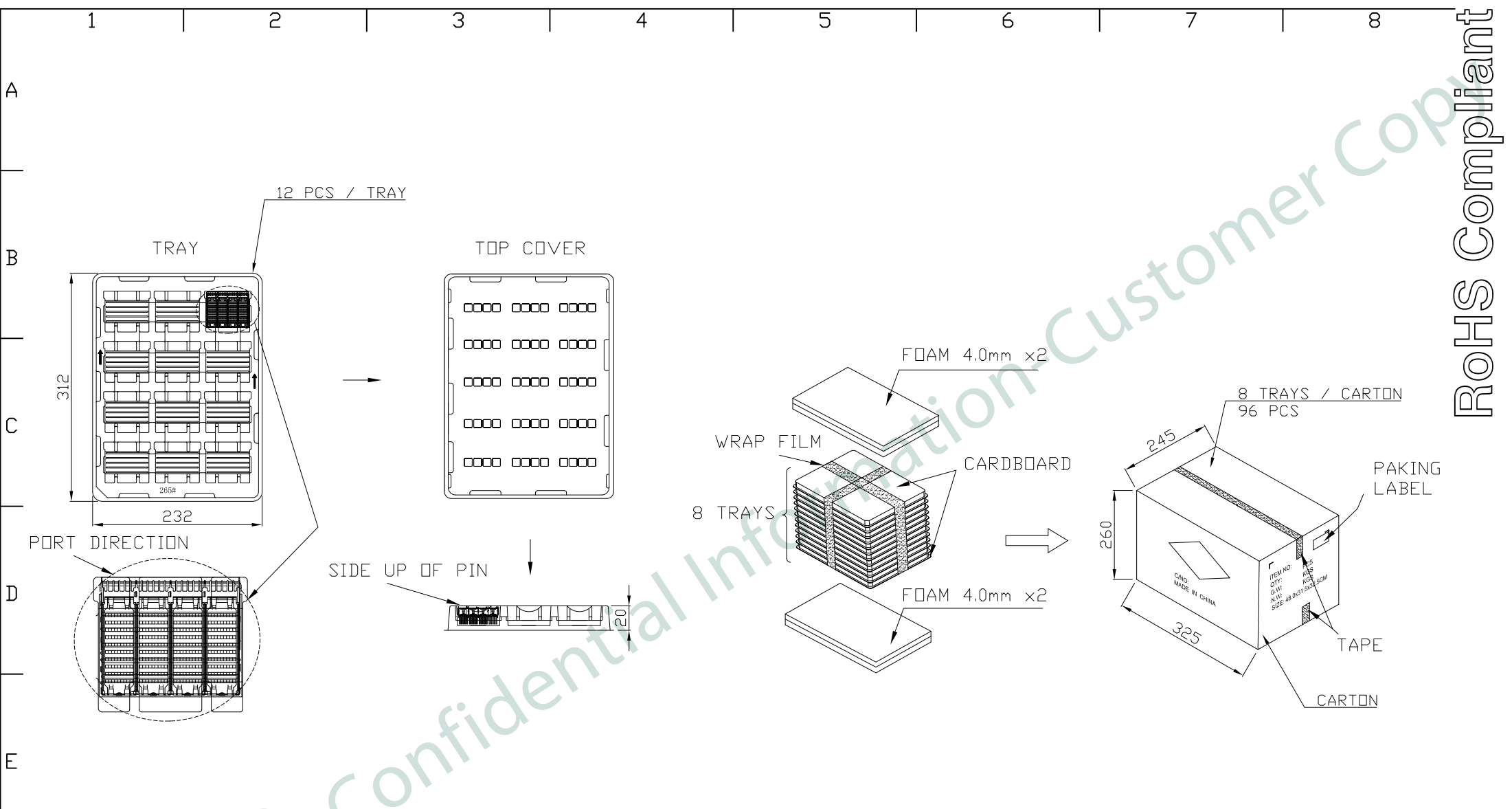


CROSS-HATCHED AREA DENOTES
COMPONENT AND TRACE KEEP-OUT

RECOMMENDED PCB LAYOUT (COMPONENT SIDE)
RECOMMENDED MINIMUM PCB T=3.0mm
(ALL TOLERANCES ARE ±0.05)
"□ □ •" THROUGH HOLE

RECOMMENDED PCB CONFIGURATION WITH KEEP-OUT
AREAS BELLY TO BELLY APPLICATIONS

 PART NO		KSFP-A-ZPFA-0421-XXX		
TITLE	SFP 28 1X4 CAGE, EMI TAB, HEAT SINK, PRESS FIT TYPE			
REV : 01				
UNIT	DRAWN	CHKD	DATE	SHEET
mm[inch]	CINDY	VINCENT	Mar. 13, '19	4 of 5



PART NO KSFP-A-ZPFA-0421-XXX				
TITLE	SFP 28 1X4 CAGE, EMI TAB, HEAT SINK, PRESS FIT TYPE			
REV : 01				
UNIT	DRAWN	CHKD	DATE	SHEET
mm[inch]	CINDY	VINCENT	Mar. 13, '19	5 of 5