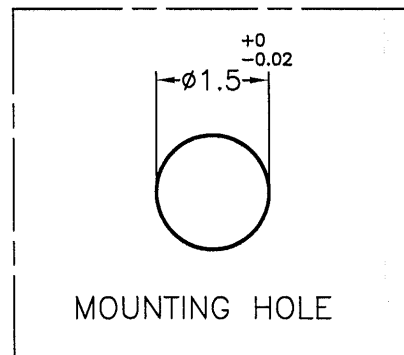


| PART NO. | MATERIAL |
|-----------|------------|
| LEM-133 | PC UL94V-2 |
| LEM-133V0 | PC UL94V-0 |

NOTE: MADE OF EQUIVALENT MATERIAL.
均可使用同等材質。



KY 康揚企業股份有限公司
KANG YANG HARDWARE ENTERPRISE CO., LTD.
康揚塑膠(東莞)有限公司
KANG YANG PLASTIC(DONG GUAN)CO.,LTD.
康哲電腦配件(吳江)有限公司
KANG CHE COMPUTER COMPONENTS(WUJIANG)CO.,LTD.

ISO 9001
ISO 14001
QC 080000
IATF 16949

| | | | | |
|---|--------------------|--|---------------------|-----------------------|
| PROPRIETARY AND CONFIDENTIAL THE INFORMATION CONTAINED IN THIS DRAWING IS THE SOLE PROPERTY OF KANG YANG HARDWARE ENTERPRISE CO. ANY REPRODUCTION IN PART OR AS A WHOLE WITHOUT THE WRITTEN PERMISSION OF KANG YANG HARDWARE ENTERPRISE CO. IS PROHIBITED. DO NOT SCALE DRAWING | DATE 2012.04.26 | TITLE LIGHT PIPE | DWG. NO. LEM-133 | PART NO. SEE ABOVE |
| | DRAWN ROBERT | MATERIAL SEE ABOVE | SIZE A4 | SPEC. DWG |
| | CHECKED 彭永承 | COLOR TRANSPARENT | FINISH | REV B |
| | APPROVED Kang | UNLESS OTHERWISE SPECIFIED TOLERANCE: SEE ABOVE | SCALE: 10:1 | UNIT mm |