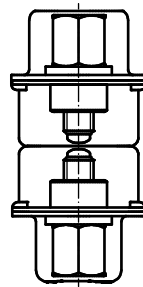
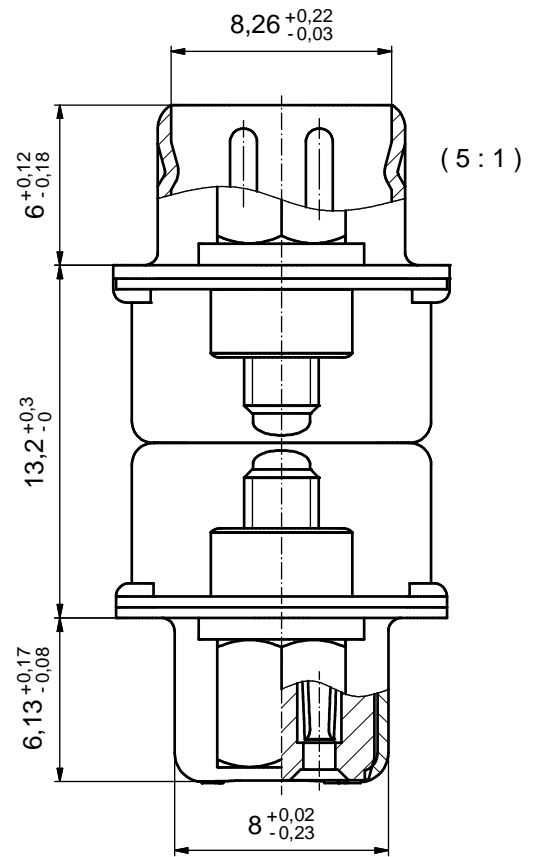


Directive 2002/95/EC RoHS compliant



NOTES:

1. METALSHELLS: STEEL; min. 315µin TIN over 40-80µin NICKEL
2. INSULATORS: HIGH TEMPERATURE PLASTIC UL 94 V-0; BLACK
3. CONTACTS: COPPER ALLOY
PLATING: GOLD FLASH over NICKEL
4. THREADED INSERTS: COPPER ALLOY; min. 200µin TIN over 80µin NICKEL
5. COLLARS: COPPER ALLOY; min. 200µin TIN over 80µin NICKEL
6. HEX BOLT: STEEL; NICKEL PLATED
7. SPRING RINGS: STEEL; NICKEL PLATED
8. CAPACITANCE: 2 x 370pF±20%
9. DIELECTRIC WITHSTANDING VOLTAGE: 300 VDC
10. MAXIMUM TORQUE VALUE FOR THREAD: 6 in.LB
11. CONNECTOR IS PART MARKED: MAP2XAAAH02R741X CONEC ABC

| | | | | | | | |
|--|-------------|------------|----------|--------------|---|------------------|-------|
| THIS DRAWING MAY NOT BE COPIED OR REPRODUCED IN ANY WAY, AND MAY NOT BE PASSED ON TO A THIRD PARTY WITHOUT WRITTEN PERMISSION. OWNERSHIP AND COPYRIGHT OF CONEC GmbH | | tolerance | | | scale: | 2:1 (5:1) | |
| | | dim. in mm | | | material: | SEE NOTES | |
| DO NOT ALTER CAD DRAWING BY HAND | | drawn | 24.07.13 | Lehmenkühler | title: D-SUB PI FILTER ADAPTER PLUG / SOCKET, 15pos. with threaded insert, hex bolt and spring ring | | |
| | | appd. | 24.07.13 | Koch | | | |
| | | norm | | | | | |
| | | d-old | | | | | |
| a | Original | | | dwg no: | Inventor 10 | DIN-A3 | |
| rev. | description | | | date | name | 24K1A1459 | sh: 1 |
| | | | | | part no: | MAP2XAAAH02R741X | |