

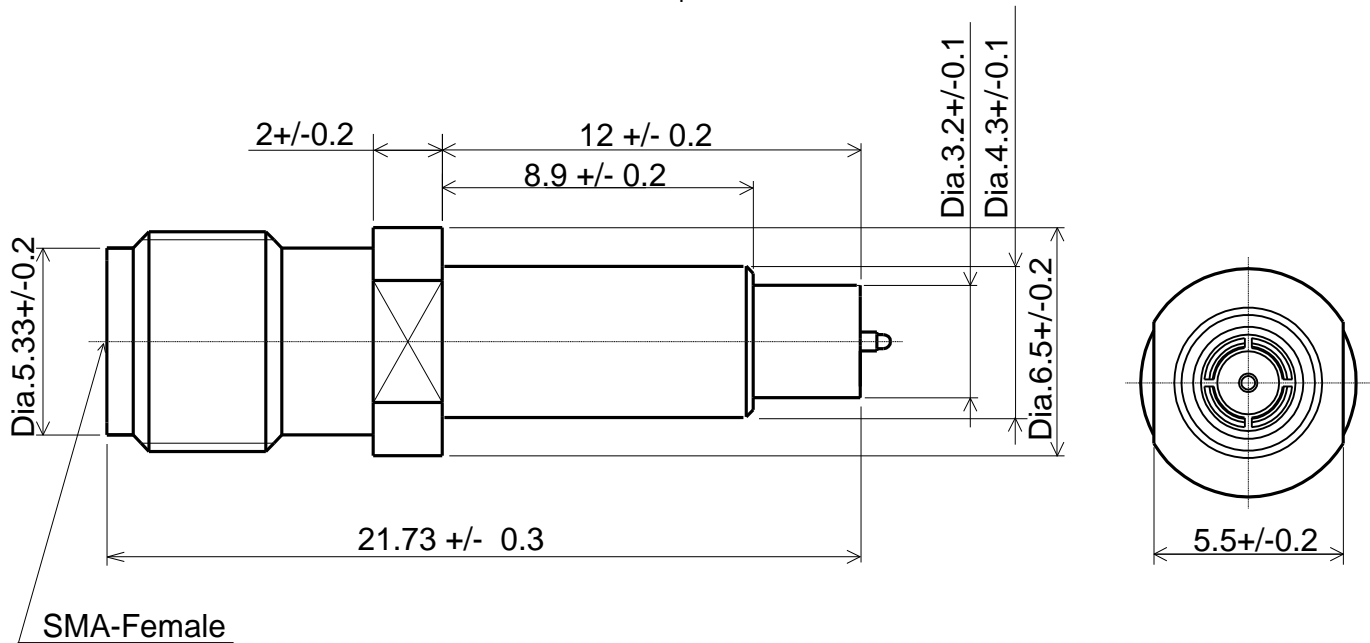
**SPECIFICATION**

**1. MECHANICAL**

B>

Manual measurement probe for SWD and SWF.

MM1216054 and MM1216059 are used as calibration adapter



Scale: Free  
 Tolerance Unless  
 Otherwise Specified: +/- 0.2  
 Unit: mm

**2. RATING:**

Item	Specification
Voltage Rating	30V r.m.s. maximum
Nominal Frequency Range	DC to 6GHz
Nominal Impedance	50Ω
Temperature Rating	-40°C to +90°C
Insulation Resistance	500 MΩ minimum
B> Withstanding Voltage	No evidence of breakdown in AC 300V r.m.s, 1minute
Initial Contact Resistance (without conductor resistance)	Center contact 25.0mΩmax. Outer contact 20.0mΩmax.
Voltage Standing Wave Ratio (V.S.W.R.)	Meet the requirements of following spec. 1.3max.(DC to 3GHz) 1.6max.(3GHz to 6GHz)
A> Insertion loss	0.4dBmax.(DC~3GHz) 0.6dBmax.(3GHz ~6GHz)
Durability	10K cycles
Engage and disengage force. (PROBE side only)	a. Engagement 30N maximum b. Disengagement 5N minimum 40N maximum