

QT-Brightek Mid Power Series

0.5W Mid Power 2835 LED

Part No.: QBHP686-S3H Series

**S3 = Deep Red ($\lambda_p=660\text{nm}$, AllnGaP)
H = 150mA**

Product: QBHP686-S3H	Date: June 11 th , 2019	Page 1 of 9
	Version# 1.0	

Table of Contents:

Introduction	3
Electrical / Optical Characteristic (Ta=25 °C)	4
Absolute Maximum Rating	4
Characteristic Curves.....	5
Solder Profile & Footprint.....	6
Packing	7
Labeling	8
Ordering Information	8
Revision History	9
Disclaimer	9

Introduction

Feature:

- Clear lens
- Package in tape and reel
- 0.5W mid power
- Deep red
- Low thermal resistance
- AlInGaP technology
- Viewing angle: 120 deg typ.

Description:

The low profile 0.5W high bright LED has height of 0.8mm. It is ideal for indoor lighting and general use.

Application:

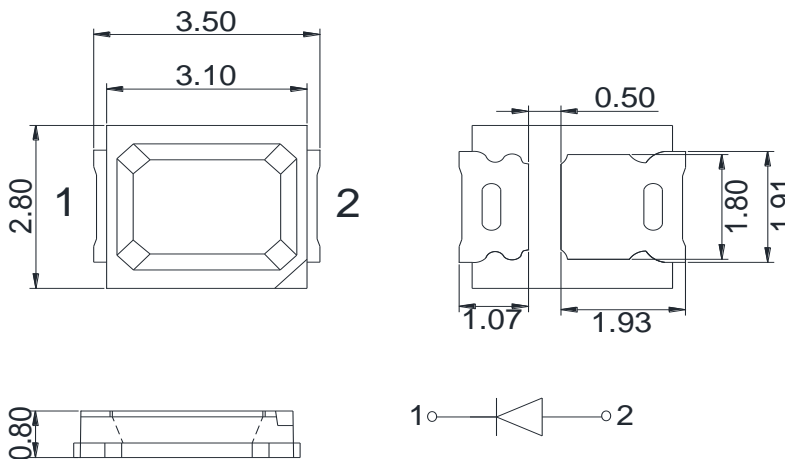
- Horticultural lighting
- Medical device

Certification & Compliance:

- TS16949
- ISO9001
- RoHS Compliant



Dimension:



Units: mm / tolerance = +/-0.2mm

Electrical / Optical Characteristic (Ta=25 °C)

Product	Color	I _F (mA)	V _F (V)		λ _D (nm)			λ _p (nm)	I _v (mcd)			Φ _v (lm)
			Typ.	Max.	Min.	Typ.	Max.	Typ.	Min.	Typ.	Max.	Typ.
QBHP686-S3H	Deep Red	150	2.5	2.8	635	644	650	660	630	1200	2000	4

Absolute Maximum Rating

Material	P _d (mW)	I _F (mA)	I _{FP} (mA)*	V _R (V)	T _{OP} (°C)	T _{ST} (°C)	T _{SO L} (°C)**
AllnGaP	476	170	125	5	-40 ~ +85	-40 ~ +100	260

*Duty 1/8 @ 1KHz

**IR Reflow for no more than 10 sec @ 260 °C

Forward Voltage V_F for AllnGaP @ I_F=150mA

Bin	Min.	Max.	Unit
c	1.9	2.2	V
d	2.2	2.5	
e	2.5	2.8	

Luminous Intensity I_v @ I_F=150mA

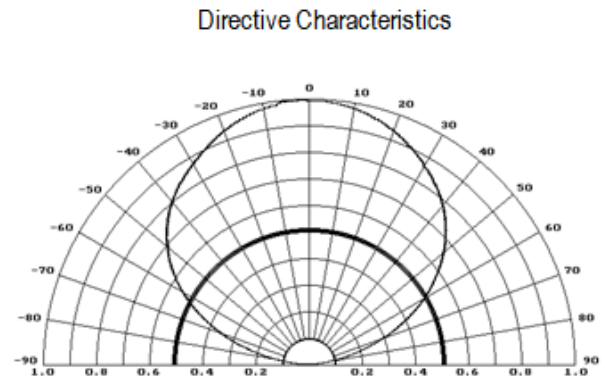
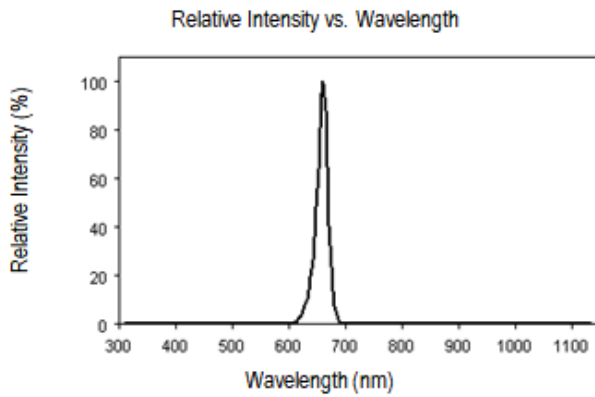
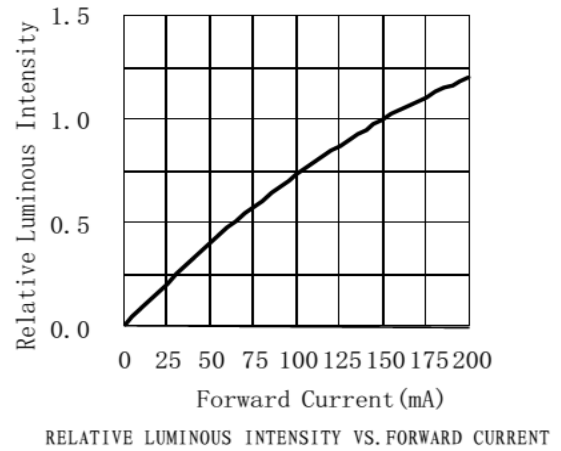
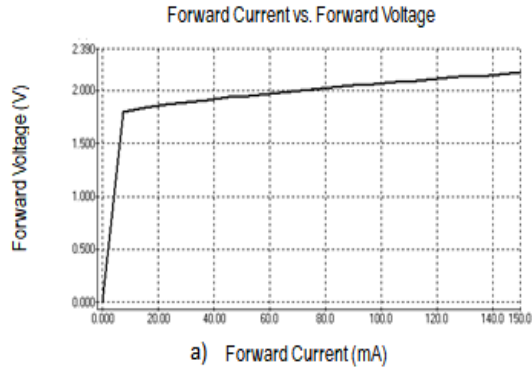
Bin	Min.	Max.	Unit
R	630	800	mcd
S	800	1000	
T	1000	1250	
U	1250	1600	
V	1600	2000	

Dominant Wavelength λ_D for @ I_F=150mA

Bin	Min.	Max.	Unit
W	635	650	nm

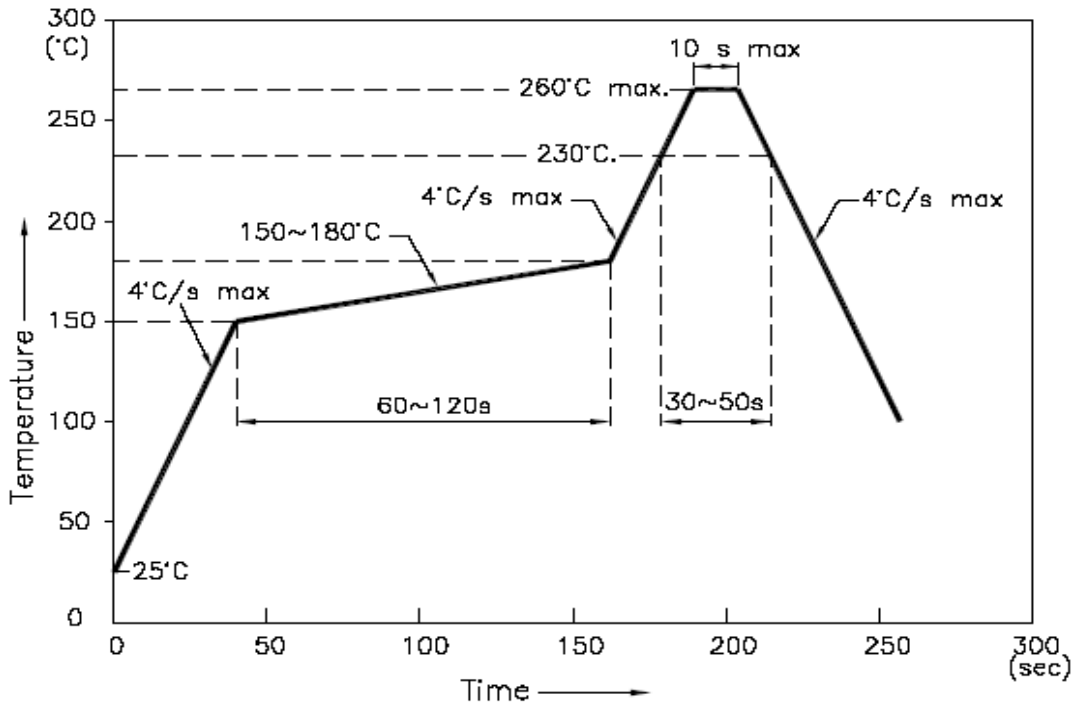
Characteristic Curves

AllInGaP

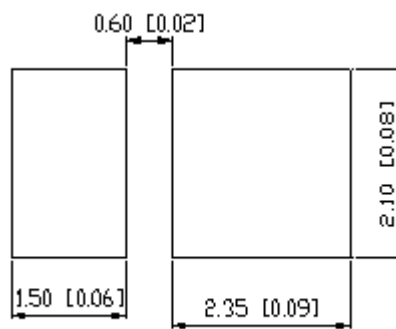


Solder Profile & Footprint

-The recommended reflow soldering profile is as follows (temperatures indicated are as measured on the surface of the LED resin):



Recommended Pad Layout

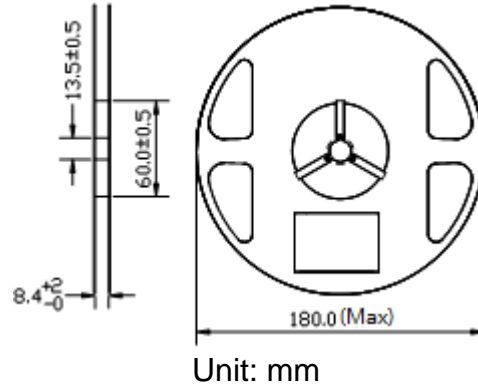


Units: mm

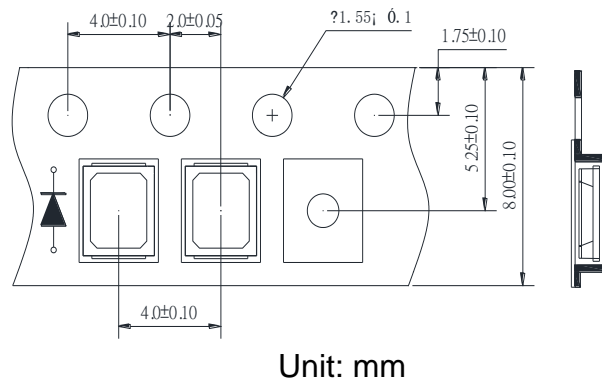
Tolerance: $\pm 0.2\text{mm}$

Packing

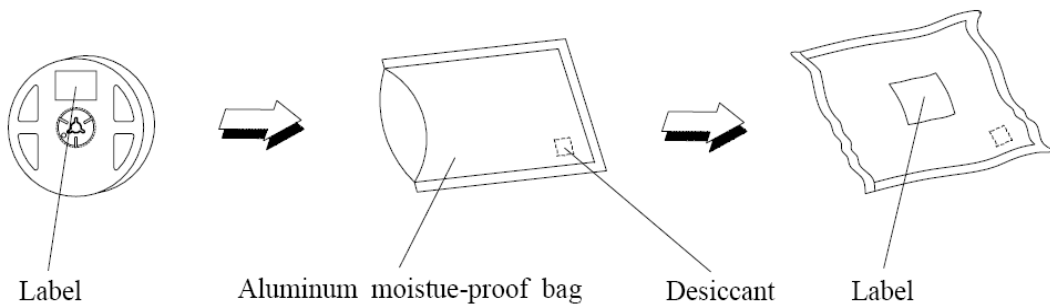
Reel Dimension:



Tape Dimension:



Packaging Specification:



Labeling

Part No: _____

Customer P/N: _____

Item: _____

Q'ty: _____

Vf: _____

Iv: _____

Wl: _____

Date: _____

Made in China**Ordering Information**

Part #	Orderable Part #	Spec Range	Quantity per reel
QBHP686-S3H	QBHP686-S3H	Iv=1200mcd typ. @ 150mA / λ _d =635nm to 650nm ; λ _p =660nm typ.	2,000 units

Revision History

Description:	Revision #	Revision Date
New Release of QBHP686-S3H	V1.0	06/11/2019

Disclaimer

QT-BRIGHTTEK reserves the right to make changes without further notice to any products herein to improve reliability, function or design. QT-BRIGHTTEK does not assume any liability arising out of the application or use of any product or circuit described herein; neither does it convey any license under its patent rights, nor the rights of others.

Life Support Policy

QT-BRIGHTTEK's products are not authorized for use as critical components in life support devices or systems without the express written approval of QT-BRIGHTTEK. As used herein:

1. Life support devices or systems are devices or systems which, (a) are intended for surgical implant into the body, or (b) support or sustain life, and (c) whose failure to perform when properly used in accordance with instructions for use provided in the labeling, can be reasonably expected to result in a significant injury of the user.
2. A critical component in any component of a life support device or system whose failure to perform can be reasonably expected to cause the failure of the life support device or system, or to affect its safety or effectiveness.