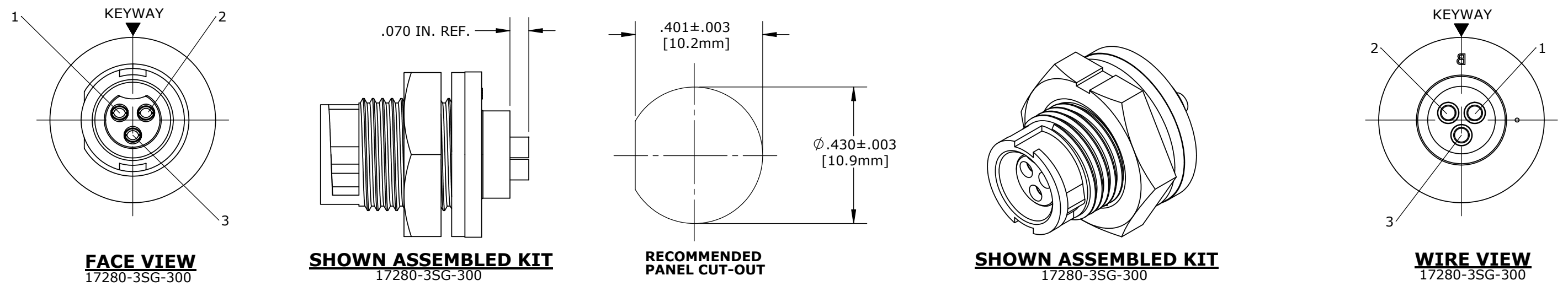
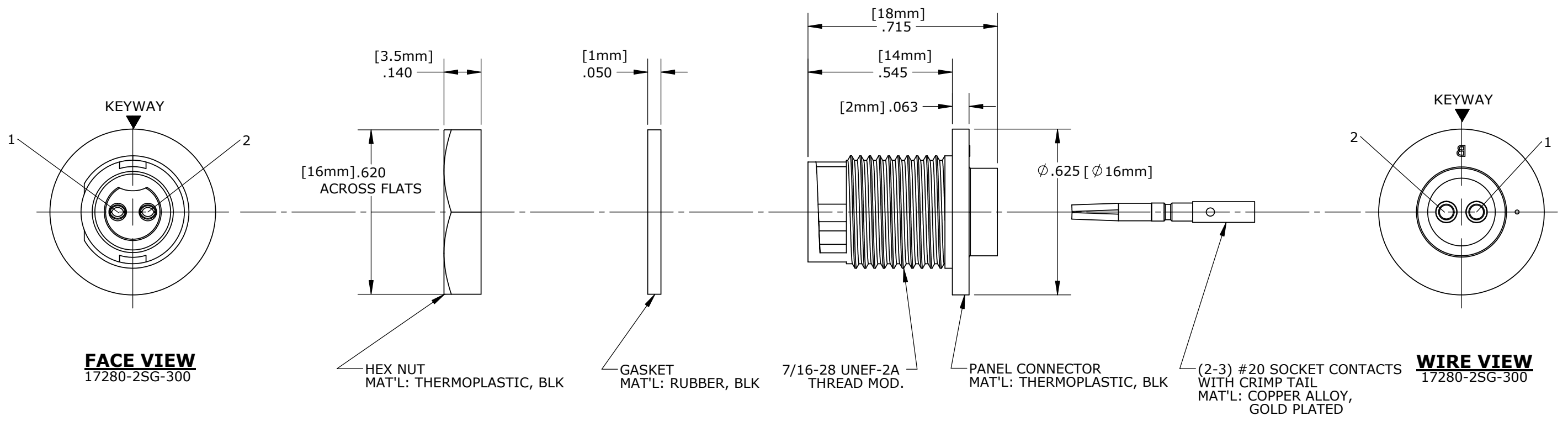


ASS'Y P/N	NO. OF CONTACTS
17280-2SG-300	(2) #20
17280-3SG-300	(3) #20

**NOTES:**  
 1. ALL PARTS TO BE BULK PACKED.



**CUSTOMER APPROVAL**

THIS DOCUMENT CONTAINS CONFIDENTIAL INFORMATION PROPRIETARY TO CONXALL CORPORATION. ANY REPRODUCTION, DISCLOSURE, OR USE OF THIS DOCUMENT /INFORMATION IS EXPRESSLY PROHIBITED UNLESS AUTHORIZED IN WRITING BY CONXALL CORPORATION.

APPROVED BY: \_\_\_\_\_  
 DATE: \_\_\_\_\_

DIMENSIONS IN BRACKET [ ] ARE METRIC

**RoHS COMPLIANT**

REV.	INIT.	DATE	DESCRIPTION
A	JD	02-22-17	DRAWING CREATED PER DOR 17-E149SL(4)
<small>ALL INFORMATION ILLUSTRATED IS THE PROPERTY OF CONXALL CORPORATION. UNAUTHORIZED DUPLICATION OR DISTRIBUTION OF THIS DOCUMENT IS PROHIBITED.</small>			<small>ORIG. DRAWN BY: JD</small> <small>DATE: 02-22-17</small> <small>CHECKED BY:</small>
<small>ALL UNITS ARE IN FEET, INCHES, FRACTION OF INCHES AND DECIMALS.</small>			<small>APPROVED BY:</small> <small>SCALE: NTS</small> <small>SIZE: B</small> <small>SHEET: 1 OF 1</small>
<small>FILE: 17280-XSG-300</small>		<small>DIRECTORY: SLW</small>	<small>TITLE: PANEL CONNECTOR ASSEMBLY (2-3) #20 SOCKET CONTACTS, CRIMP TAIL MICRO-CON-X</small> <small>CUSTOMER: STANDARD PRODUCT</small> <small>PART NUMBER: 17280-XSG-300</small>

PART NUMBER: 17280-XSG-300