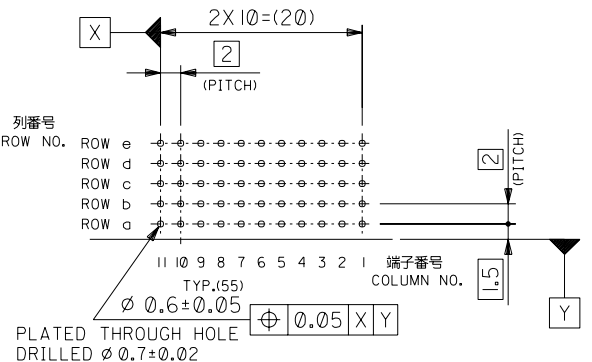
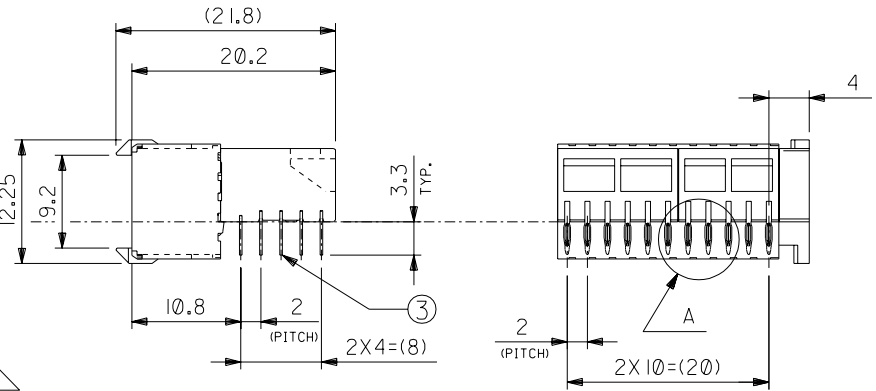
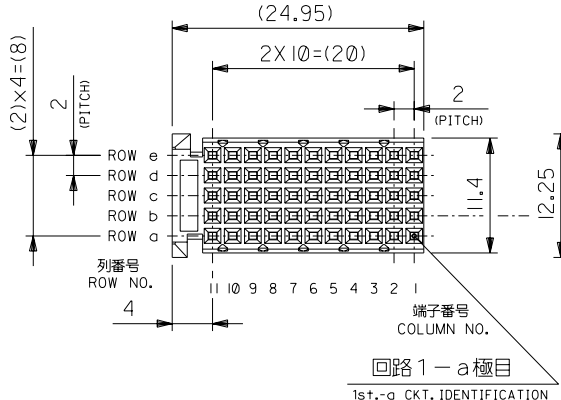
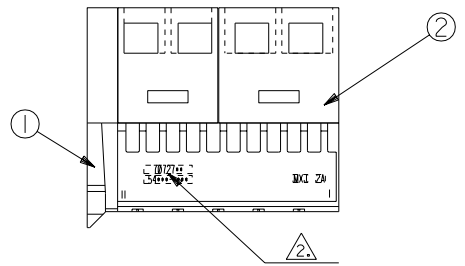


番号 No.	部品 PART NAME	材質 MATERIAL	仕上げ FINISH
①	リセプタクル ハウジング RECEPTACLE HOUSING	液晶ポリマー、ガラス充填、自然色(白)、UL94V-0 LIQUID CRYSTAL POLYMER, GLASS FILLED, NATURAL(WHITE), UL94V-0	—
②	リセプタクル カバー RECEPTACLE COVER	液晶ポリマー、ガラス充填、自然色(白)、UL94V-0 LIQUID CRYSTAL POLYMER, GLASS FILLED, NATURAL(WHITE), UL94V-0	—
③	リセプタクル ターミナル RECEPTACLE TERMINAL	りん青銅 PHOSHOR BRONZE	△1

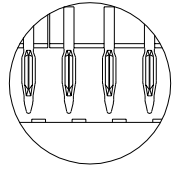


基板穴推奨寸法 (部品実装)
RECOMMENDED P.C.B. LAYOUT (COMPONENT SIDE)

注記
NOTES

- △1 ターミナルめっき仕様
TERMINAL PLATING
金めっき: 0.8 μm MIN. (接点部)
GOLD: 0.8 μm MIN. (CONTACT AREA)
半田めっき: 0.5 μm MIN. (プレスフィット部)
TIN-LEAD: 0.5 μm MIN. (PRESS-FIT AREA)
ニッケルめっき: 1.3 μm MIN. (下地めっき)
NICKEL: 1.3 μm MIN. (UNDER PLATING)
- △2 製品番号及びロットナンバー
MATERIAL NO. & LOT NO.

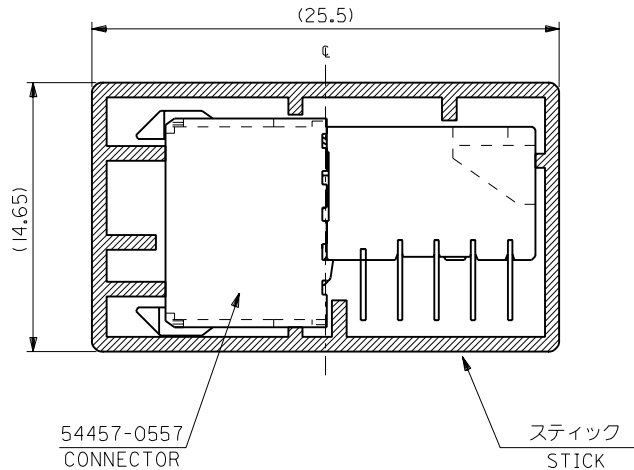
PRESS-FIT TAIL



DETAIL A
(SCALE: 4-1)

DO NOT SCALE DRAWING

EC NO. DRWN: CHK: APPR:	EC NO. DRWN: CHK: APPR:	EC NO. DRWN: CHK: APPR:	REVISED	RELEASED	MATERIAL 材料	FINISH 仕上げ	WIRE RANGE 適用線径範囲	INS. RANGE 被覆外径	GENERAL TOLERANCES: (UNLESS SPECIFIED) 一般公差	SCALE	DESIGN UNITS	THIRD ANGLE PROJECTION	SHT REV	REVISE ON CAD ONLY
			EC NO. J2002-2423 DRWN: S.ANDO CHK: A.NODA APPR: A.NODA	EC NO. JD2001-0328 DRWN: S.HOSIKAWA CHK: A.NODA APPR: H.IKESUGI						2-1	mm			
					—	—	—	—	10 UNDER 未滿	±0.2	DRAWN BY & DATE <i>S. Noda</i>	TITLE: "M2P" B/B CONN. RECEPTACLE R/A ASS'Y TYPE C W/O PEG	MATERIAL NO. DRAWING NO.	SHEET NO. 1 OF 1
								10 OVER 30 UNDER 以上 未滿	±0.25	CHECKED BY & DATE <i>A. Noda</i>	MOLEX MOLEX INCORPORATED			
								30 OVER 以上	±0.3	APPROVED BY & DATE <i>S. Noda</i>				
									ANGLE 角度	±3°	CAD FILENAME SD-54457-045.S01	SEE TABLE		
THIS DRAWING CONTAINS INFORMATION THAT IS PROPRIETARY TO MOLEX INCORPORATED AND SHOULD NOT BE USED WITHOUT WRITTEN PERMISSION.													SIZE B	



注記
NOTES

1. スティック両端はテープ止め。
BOTH ENDS WITH TAPES.
2. 全長：600±2mm
TOTAL LENGTH：600±2mm
3. 肉厚：0.8±0.2mm
THICKNESS：0.8±0.2mm

DO NOT SCALE DRAWING

REVISED	REVISED	MATERIAL	GENERAL TOLERANCES:	SCALE	DESIGN UNITS	TITLE: "MZP" B/B CONNECTOR 54457-0557 STICK PACKAGING
EG4NO. JD2001-0854 DRWN: Y.HASEGAWA CHK: ANODA APPR: H.IKESUGI	EG3NO. JD2001-0328 DRWN: S.HOSHIKAWA CHK: ANODA APPR: H.IKESUGI	材料 スティック：ポリ塩化ビニル STICK：P.V.C.	(UNLESS SPECIFIED) 一般公差	4-1	mm <input checked="" type="checkbox"/> INCH <input type="checkbox"/>	
FINISH 仕上げ	DESCRIPTION		10 UNDER 未滿	PROJECTION	mm ONLY <input checked="" type="checkbox"/>	
EG2NO. JD2001-0854 DRWN: Y.HASEGAWA CHK: ANODA APPR: H.IKESUGI	EG1NO. JD2001-0328 DRWN: S.HOSHIKAWA CHK: ANODA APPR: H.IKESUGI	WIRE RANGE 適用線径範囲	10 OVER 以上 30 UNDER 未滿	ANGLE 角度	30 OVER 以上	MOLEX INCORPORATED
INS. RANGE 被覆外径	REV		30 OVER 以上			MATERIAL NO. SEE CHART

MODEL NO.: 54457-0555		DIMENSIONS:		SHT	REV
23		54457-0555		55	
梱包数 QUANTITY		MATERIAL NO.		種数 PIN	
23		54457-0555		55	
DRAWN BY & DATE		CHECKED BY & DATE		APPROVED BY & DATE	
D. Ishikawa		A. Nozaki		H. Nozaki	
CAD FILE NAME		DRAWING NO.		SHEET NO.	
SD-54457-046.S01		SD-54457-046		1 OF 1	
THIS DRAWING CONTAINS INFORMATION THAT IS PROPRIETARY TO MOLEX INCORPORATED AND SHOULD NOT BE USED WITHOUT WRITTEN PERMISSION.					
				SIZE	B