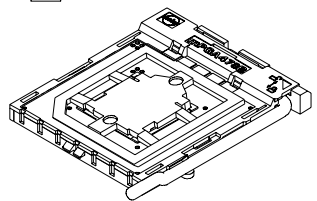
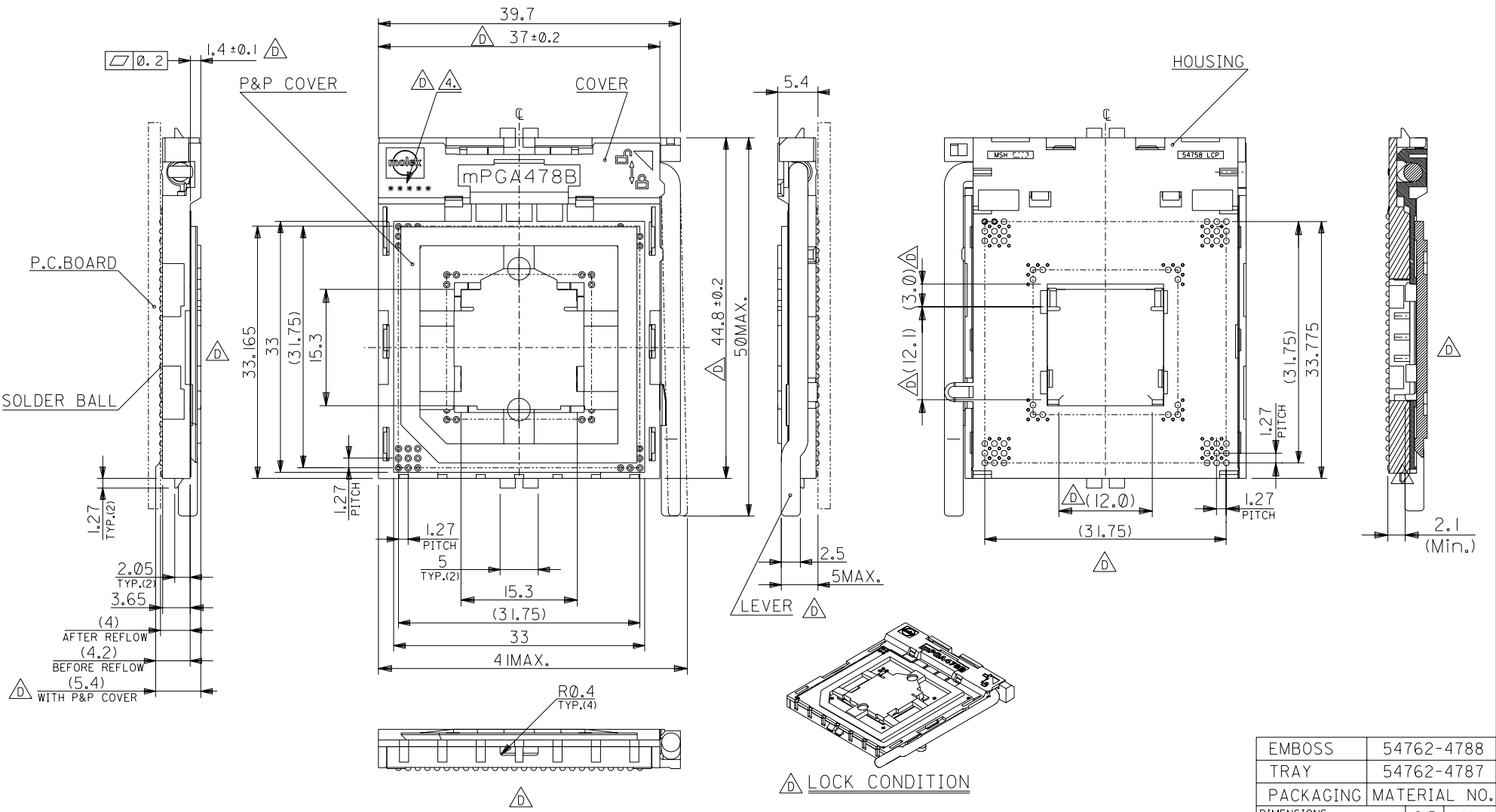


DWG. NO. SD-54762-012



DO NOT SCALE DRAWING

REV	DESCRIPTION	MATERIAL 材料	FINISH 仕上り	WIRE RANGE 適用層被範圍	INS. RANGE 被覆外径
D	REVISED EC NO. J2002-0158 DRWN: ERIC KAO 02/01/07 CHK: HIRATA 01/11/05 APPR: MSASAO 01/11/05				
C	REVISED EC NO. J2002-1110 DRWN: THIRAYAMA 01/11/05 CHK: HIRATA 01/11/05 APPR: MSASAO 01/11/05				
B	REVISED EC NO. J2002-0621 DRWN: THIRAYAMA 01/09/17 CHK: HIRATA 01/09/17 APPR: MSASAO 01/09/17				
A	REVISED EC NO. J2002-0528 DRWN: THIRAYAMA 01/07/17 CHK: HIRATA 01/07/17 APPR: MSASAO 01/07/17				
0	REVISED EC NO. J2002-0095 DRWN: THIRAYAMA 01/07/17 CHK: HIRATA 01/07/17 APPR: MSASAO 01/07/17				

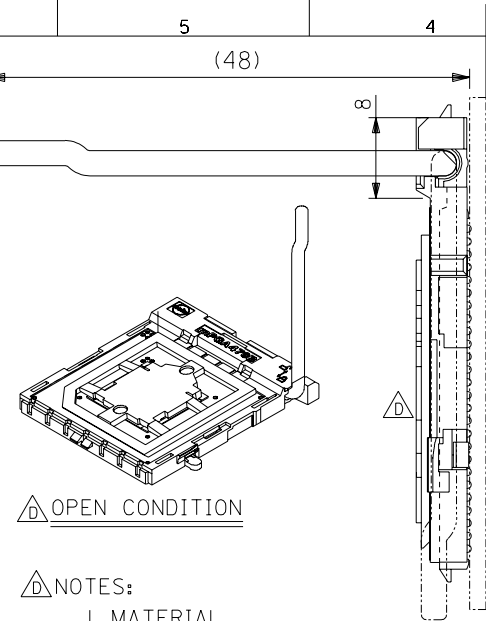
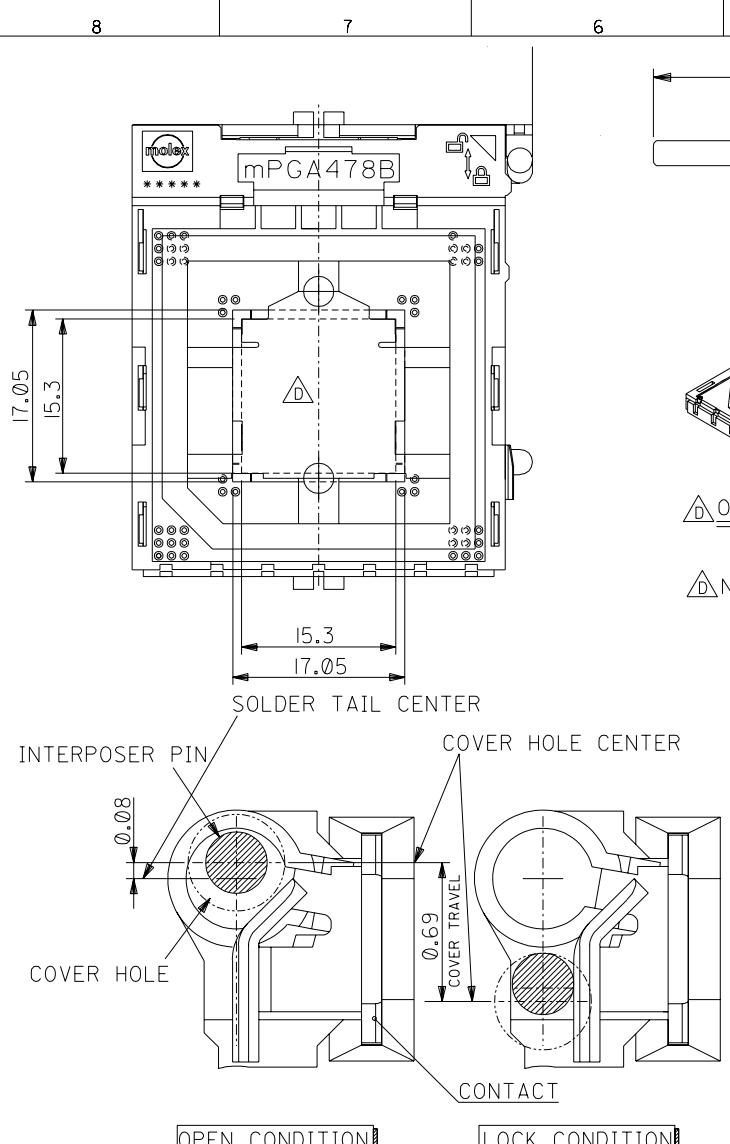
GENERAL TOLERANCES: (UNLESS SPECIFIED) 一般公差	
10 UNDER 未満	±0.2
10 OVER 30 UNDER 以上 未満	±0.25
30 OVER 以上	±0.3
ANGLE 角度	±3°

SCALE	DESIGN UNITS
2 - 1	<input checked="" type="checkbox"/> mm <input type="checkbox"/> INCH
DRAWN BY & DATE	Eric Kao 02/02/22
CHECKED BY & DATE	Wilson Chang 02/02/22
APPROVED BY & DATE	Erick Lan 02/02/22
CAD FILENAME	54762012.S01

THIRD ANGLE PROJECTION		TITLE:	
<input type="checkbox"/> mm INCH	<input type="checkbox"/> INCH mm	mPGA478 SOCKET HOUSING ASS'Y	
<input checked="" type="checkbox"/> mm ONLY		MATERIAL NO. SEE CHART	
		DRAWING NO. SD-54762-012	SHEET NO. 1 OF 2
THIS DRAWING CONTAINS INFORMATION THAT IS PROPRIETARY TO MOLEX INCORPORATED AND SHOULD NOT BE USED WITHOUT WRITTEN PERMISSION.			SIZE B

EMBOSS	54762-4788
TRAY	54762-4787
PACKAGING DIMENSIONS:	MATERIAL NO.
SHT	REV
REVISION	REVISION

DWG. NO. SD-54762-012



$\triangle D$  OPEN CONDITION

$\triangle D$  NOTES:

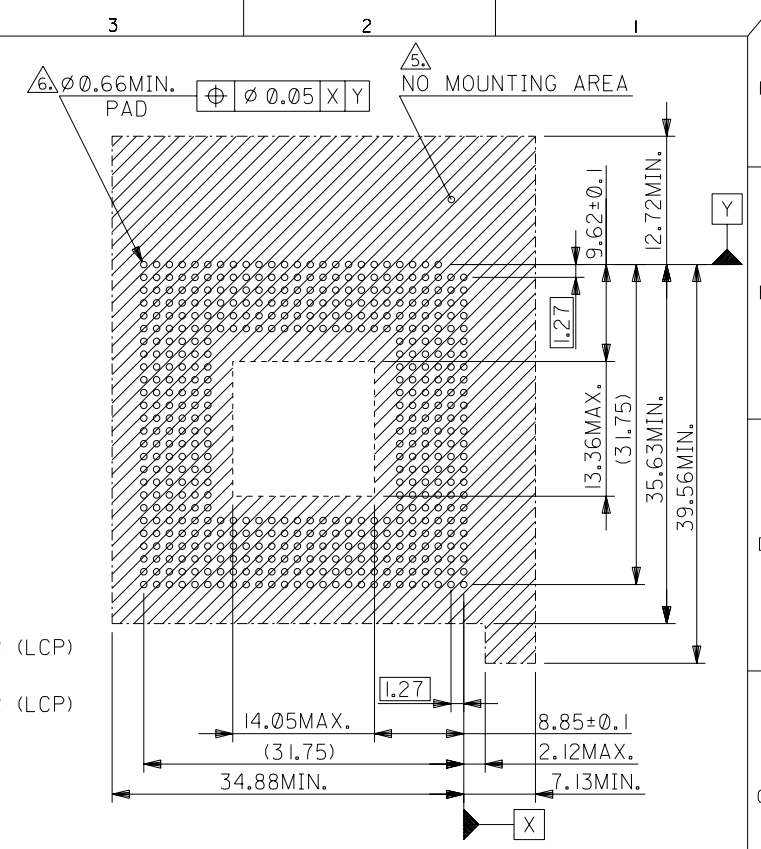
1. MATERIAL  
 HOUSING : LIQUID CRYSTAL POLYMER (LCP) UL94V-0,COLOR BLACK  
 COVER : LIQUID CRYSTAL POLYMER (LCP) UL94V-0,COLOR WHITE  
 LEVER : STAINLESS STEEL  
 CONTACT : COPPER ALLOY  
 SOLDER BALL : TIN-LEAD (63:37)  $\phi 0.76$

$\triangle D$  PICK & PLACE COVER : HIGH TEMPERATURE MATERIAL RECOMMENDED P.C.BOARD LAYOUT

2. PLATING  
 CONTACT AREA : GOLD.  
 UNDER PLATING : NICKEL.
3. SOLDER BALL COPLANARITY :  $0.2\text{MAX.}$

$\triangle 4$  WEEK CODE

$\triangle D$  \* \* \* \* \*  
 MANUFACTORY CODE (SC)  
 WORK WEEK OF THE YEAR  
 WORK YEAR(0=Y2000)



- $\triangle 5$  FINGER KEEP OUT ZONE IS NOT INCLUDED.
- $\triangle 6$  NEVER MAKE THROUGH HOLE IN PAD AREA.
7. LEVER MUST REMAIN IN THE LOCKED POSITION UNTIL SOCKET IS SOLDERED TO BOARD.
- $\triangle 8$  TRUE POSITION IS  $0.25\text{ mm MAX.}$
- $\triangle 9$  PRODUCT SPECIFICATION : REFER TO PS-54762-006.

DO NOT SCALE DRAWING

EC NO. DRWN: CHK: APPR:	EC NO. DRWN: CHK: APPR:	EC NO. DRWN: CHK: APPR:	EC NO. DRWN: CHK: APPR:	EC NO. DRWN: CHK: APPR:	EC NO. DRWN: CHK: APPR:
D	C	B	A	0	

DESCRIPTION	MATERIAL 材料	GENERAL TOLERANCES: (UNLESS SPECIFIED) 一般公差
FINISH 仕上り	—	10 UNDER 未滿 ±0.2
WIRE RANGE 適用電線範圍	—	10 OVER 30 UNDER 以上 未滿 ±0.25
INS. RANGE 被覆外径	—	30 OVER 以上 ±0.3
REV	ANGLE 角度	±3°

SCALE 2 - 1	DESIGN UNITS <input checked="" type="checkbox"/> mm <input type="checkbox"/> INCH	THIRD ANGLE PROJECTION	DIMENSIONS: <input type="checkbox"/> mm <input type="checkbox"/> INCH <input checked="" type="checkbox"/> mm ONLY	SHT	REV
DRAWN BY & DATE Eric Kao 02/02/22	TITLE: mPGA478 SOCKET HOUSING ASS'Y				
CHECKED BY & DATE Wilson Chang 02/02/22	MOLEX MOLEX INCORPORATED				
APPROVED BY & DATE Erick Lan 02/02/22	CAD FILENAME 54762012.S02	MATERIAL NO. SEE 1 OF 2	DRAWING NO. SD-54762-012	SHEET NO. 2	
THIS DRAWING CONTAINS INFORMATION THAT IS PROPRIETARY TO MOLEX INCORPORATED AND SHOULD NOT BE USED WITHOUT WRITTEN PERMISSION.					SIZE B