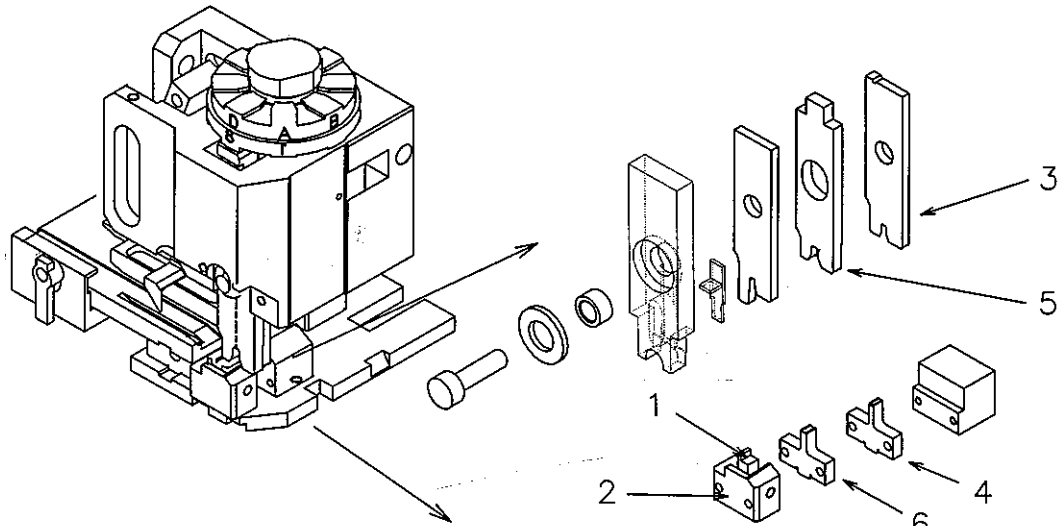




**APPLICATOR No.** 69037-1276  
**PRODUCT No.** 33093-0009 (E7EB-14461-BA)



ITEM	PART NUMBER	DESCRIPTION
1	69037-0520	SHEAR PUNCH
2	69037-0031	SHEAR DIE
3	69039-1598	CONDUCTOR PUNCH
4	69039-3579	CONDUCTOR ANVIL
5	69039-2602	INSULATION PUNCH
6	69039-4582	INSULATION ANVIL
7	69037-2276	TOOL KIT (ITEMS 3 - 6)

CRIMP SPECIFICATION

WIRE AWG	CRIMP HEIGHT (CONDUCTOR)	CRIMP HEIGHT (INSUL.) STD	
18AWG	2.05mm	2.10mm	
20AWG	2.05mm	2.10mm	

WIRE STRIP LENGTH: 5.5mm