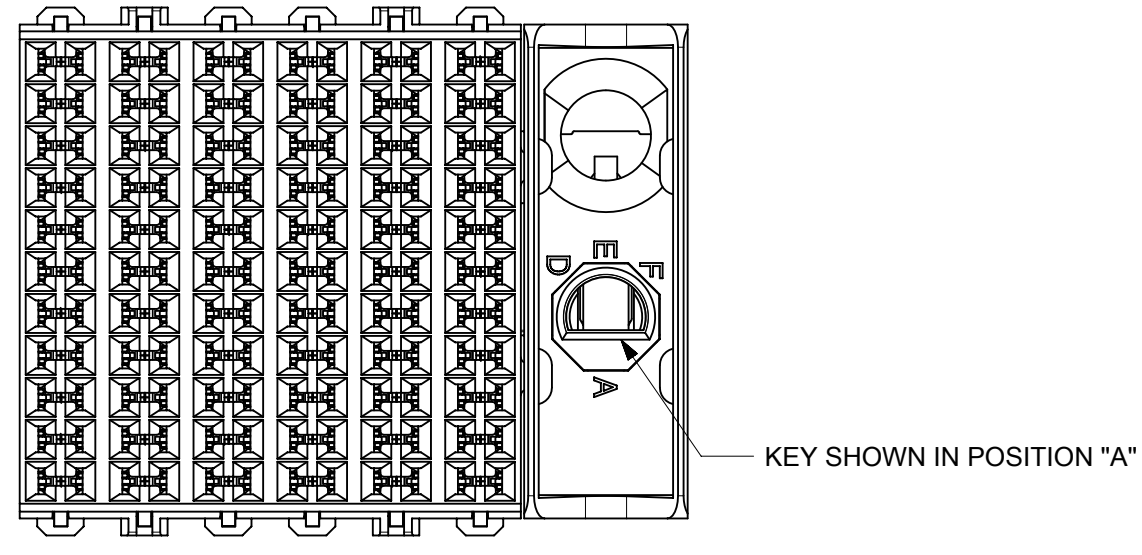


DAUGHTERCARD HOLE PATTERN  
(CONNECTOR SIDE)



- NOTES:
1. MATERIALS: HOUSING - LIQUID CRYSTAL POLYMER (LCP) GLASS-FILLED, UL94V-0  
TERMINALS - HIGH PERFORMANCE COPPER ALLOY
  2. FINISH: SELECTIVE GOLD IN CONTACT AREA.  
SELECTIVE MATTE TIN ON PCB TAILS. NICKEL OVERALL.
  3. REFER TO MOLEX PRODUCT SPECIFICATION PS-75710-999 FOR PERFORMANCE SPECS.
  4. PRODUCT IS PACKAGED PER PK-70873-609.
  5. THIS PART CONFORMS TO CLASS B REQUIREMENTS OF COSMETIC SPEC PS-45499-002.
  6. GUIDED PARTS TO BE SHIPPED WITH 2-32 TYPE AB  
SELF-TAPPING SCREW P/N 73726-0000.
  7. FOR GROUNDED GUIDE MODULES USE DIA 2.45+/-0.10 (PTH), DIA 2.58 (DRILL),  
AND DIA 4.50 (PAD).
  8. MAPS (MOLEX ADVANCED PLATING SYSTEM).

THIS DRAWING CONTAINS INFORMATION THAT IS PROPRIETARY TO MOLEX ELECTRONIC TECHNOLOGIES, LLC AND SHOULD NOT BE USED WITHOUT WRITTEN PERMISSION															
DIMENSION UNITS		SCALE		CURRENT REV DESC: REMASTERED TO NX AND ADDED MISSING DIMENSION FROM REV B @ E7											
mm		NTS													
GENERAL TOLERANCES (UNLESS SPECIFIED)				<b>EC NO:</b> 671119 <b>DRWN:</b> DYARAS 2021/11/22 <b>CHK'D:</b> VINODM3 2022/01/31 <b>APPR:</b> CWANG25 2022/02/18 <b>INITIAL REVISION:</b> <b>DRWN:</b> MCARRANZA 2008/05/14 <b>APPR:</b> JLAURX 2008/10/20						I-TRAC NXT DAUGHTERCARD 11 ROW SIGNAL MODULE GUIDE RIGHT SALES DWG					
ANGULAR TOL		± 0.5°								PRODUCT CUSTOMER DRAWING					
4 PLACES		±								DOCUMENT NUMBER					
3 PLACES		±								SD-76680-004		DOC TYPE		DOC PART	
2 PLACES		± 0.13								PSD		001		D1	
1 PLACE		± 0.25		MATERIAL NUMBER		CUSTOMER		SHEET NUMBER							
0 PLACES		±		SEE TABLE		GENERAL MARKET		1 OF 2							
DRAFT WHERE APPLICABLE MUST REMAIN WITHIN DIMENSIONS				THIRD ANGLE PROJECTION		DRAWING		SERIES							
						C-SIZE		76680							

MATERIAL NUMBER	# OF COLUMNS	DIM "A" MAX	DIM "B"
76680-***5	5	25.90	14.80
76680-***6	6	29.60	18.50
76680-***8	8	37.00	25.90
76680-***0	10	44.40	33.30

# 76680-\*\*\*\*

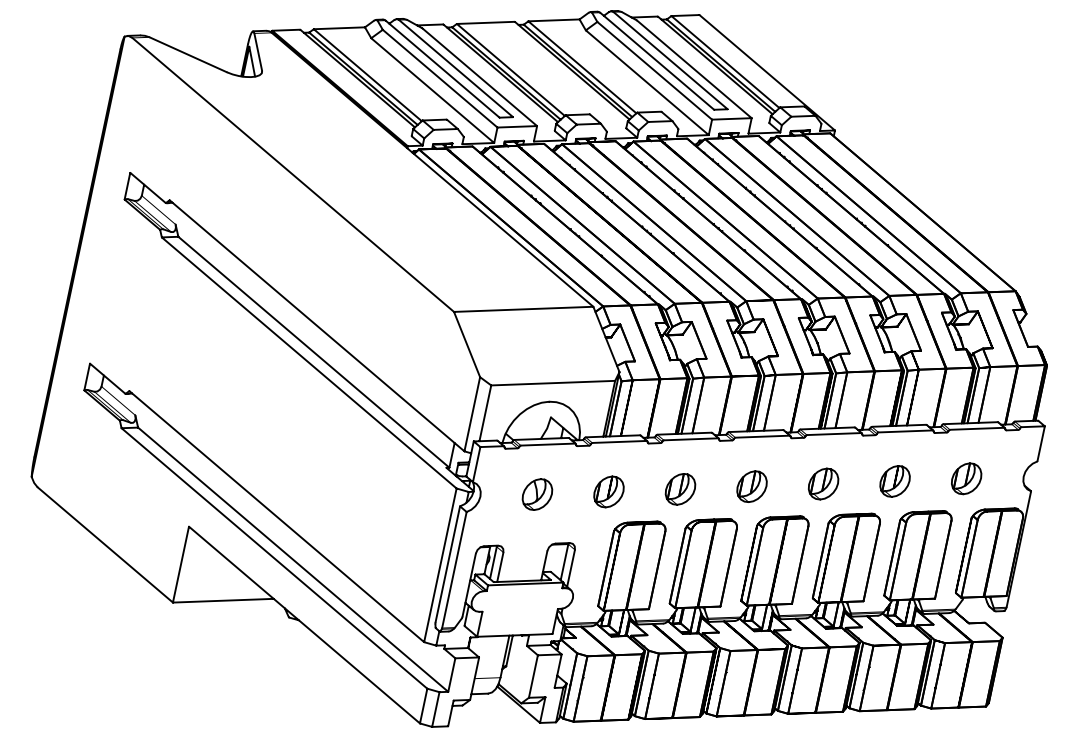
MODULE TYPE -- TAIL PLATING TYPE  
 GUIDE RIGHT -- MATTE TIN (FORMERLY TIN/LEAD)= 4  
 GUIDE RIGHT -- MATTE TIN = 5

POLARIZATION KEY ORIENTATION

0 = NO KEY  
 1 = A    5 = E  
 2 = B    6 = F  
 3 = C    7 = G  
 4 = D    8 = H

# OF COLUMNS/PLATING

05 = 5 COL 30 GOLD  
 06 = 6 COL 30 GOLD  
 08 = 8 COL 30 GOLD  
 10 = 10 COL 30 GOLD  
 55 = 5 COL W/ ESD 30 GOLD  
 56 = 6 COL W/ ESD 30 GOLD  
 58 = 8 COL W/ ESD 30 GOLD  
 50 = 10 COL W/ ESD 30 GOLD  
 25 = 5 COL 10 GOLD (MAPS)  
 26 = 6 COL 10 GOLD (MAPS)  
 28 = 8 COL 10 GOLD (MAPS)  
 20 = 10 COL 10 GOLD (MAPS)  
 65 = 5 COL W/ ESD 10 GOLD (MAPS)  
 66 = 6 COL W/ ESD 10 GOLD (MAPS)  
 68 = 8 COL W/ ESD 10 GOLD (MAPS)  
 60 = 10 COL W/ ESD 10 GOLD (MAPS)



THIS DRAWING CONTAINS INFORMATION THAT IS PROPRIETARY TO MOLEX ELECTRONIC TECHNOLOGIES, LLC AND SHOULD NOT BE USED WITHOUT WRITTEN PERMISSION										
DIMENSION UNITS	SCALE	CURRENT REV DESC: REMASTERED TO NX AND ADDED MISSING DIMENSION FROM REV B @ E7					<b>molex</b>			
mm	NTS									
GENERAL TOLERANCES (UNLESS SPECIFIED)							I-TRAC NXT DAUGHTERCARD 11 ROW SIGNAL MODULE GUIDE RIGHT SALES DWG			
ANGULAR TOL	± 0.5°	EC NO: 671119					PRODUCT CUSTOMER DRAWING			
4 PLACES	±	DRWN: DYARAS 2021/11/22					DOCUMENT NUMBER			
3 PLACES	±	CHK'D: VINODM3 2022/01/31					SD-76680-004			
2 PLACES	± 0.13	APPR: CWANG25 2022/02/18					DOC TYPE DOC PART REVISION			
1 PLACE	± 0.25	INITIAL REVISION:					PSD 001 D1			
0 PLACES	±	DRWN: MCARRANZA 2008/05/14					MATERIAL NUMBER CUSTOMER SHEET NUMBER			
DRAFT WHERE APPLICABLE MUST REMAIN WITHIN DIMENSIONS		THIRD ANGLE PROJECTION		DRAWING	SERIES	76680	SEE TABLE	GENERAL MARKET	2 OF 2	

DOCUMENT STATUS	P1	RELEASE DATE	2022/02/18	05:04:35
-----------------	----	--------------	------------	----------