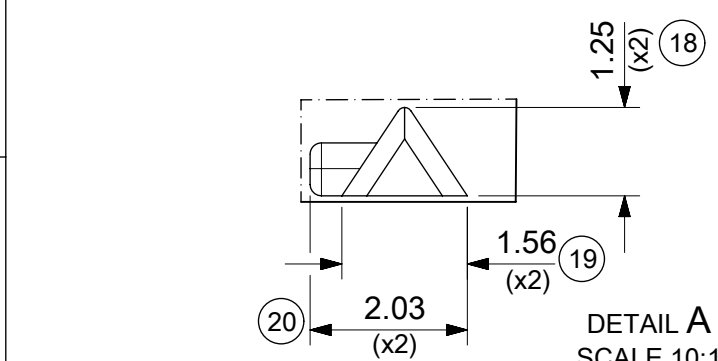
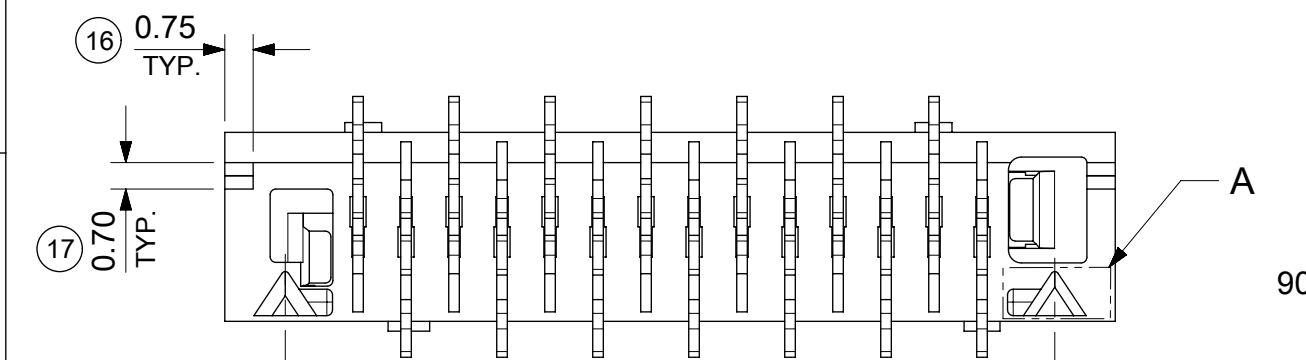
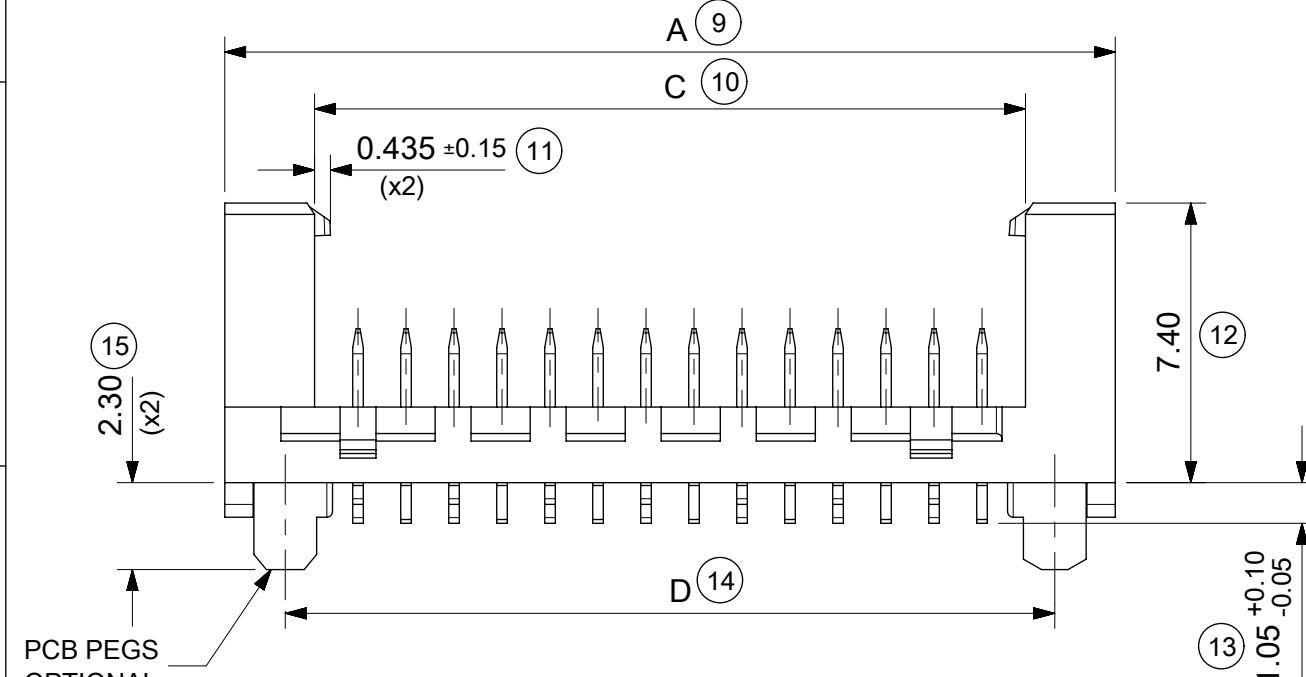


14 CIRCUIT SHOWN FOR ILLUSTRATION ONLY.



| PART NO. | NUMBER OF CKTS | DIMN. A | DIMN. B | DIMN. C | DIMN. D |
|------------|----------------|---------|---------|---------|---------|
| 90816-**04 | 04 | 10.86 | 3.81 | 6.11 | 7.66 |
| 90816-**06 | 06 | 13.40 | 6.35 | 8.65 | 10.20 |
| 90816-**08 | 08 | 15.94 | 8.89 | 11.19 | 12.74 |
| 90816-**10 | 10 | 18.48 | 11.43 | 13.73 | 15.28 |
| 90816-**12 | 12 | 21.02 | 13.97 | 16.27 | 17.82 |
| 90816-**14 | 14 | 23.56 | 16.51 | 18.81 | 20.36 |
| 90816-**16 | 16 | 26.10 | 19.05 | 21.35 | 22.90 |
| 90816-**18 | 18 | 28.64 | 21.59 | 23.89 | 25.44 |
| 90816-**20 | 20 | 31.18 | 24.13 | 26.43 | 27.98 |
| 90816-**22 | 22 | 33.72 | 26.67 | 28.97 | 30.52 |
| 90816-**24 | 24 | 36.26 | 29.21 | 31.51 | 33.06 |
| 90816-**26 | 26 | 38.80 | 31.75 | 34.05 | 35.60 |

SEE NOTE-7

- NOTES:
- MATERIAL
HOUSING: PPA, GLASS-FILLED, COLOUR: BLACK, UL 94-HB.
TERMINAL: BRASS
 - FINISHES: TERMINAL
Gold : UNDERPLATED 1.27µm MIN NICKEL
3-5µm TIN SELECTIVE
0.76µm MIN. SELECTIVE GOLD
TIN: 3 MICROMETRE MINIMUM OVER NICKEL UNDERPLATE.
 - PRODUCT SPECIFICATION: PS-99020-0011
 - PACKAGING SPECIFICATION: FOR TAPE AND REEL SEE: PK-90816-006
FOR TUBE SEE: PK-90816-007
 - MATES WITH MOLEX 90327 PART SERIES.
 - ALL SMT TAILS TO LIE WITHIN A COPLANARITY BAND OF 0 - 0.10 MICROMETRE REF. FROM EACH OTHER.
 - 4 CIRCUIT PART NOT AVAILABLE IN TAPE AND REEL.
- LAST INSPECTION NUMBER USED: 20

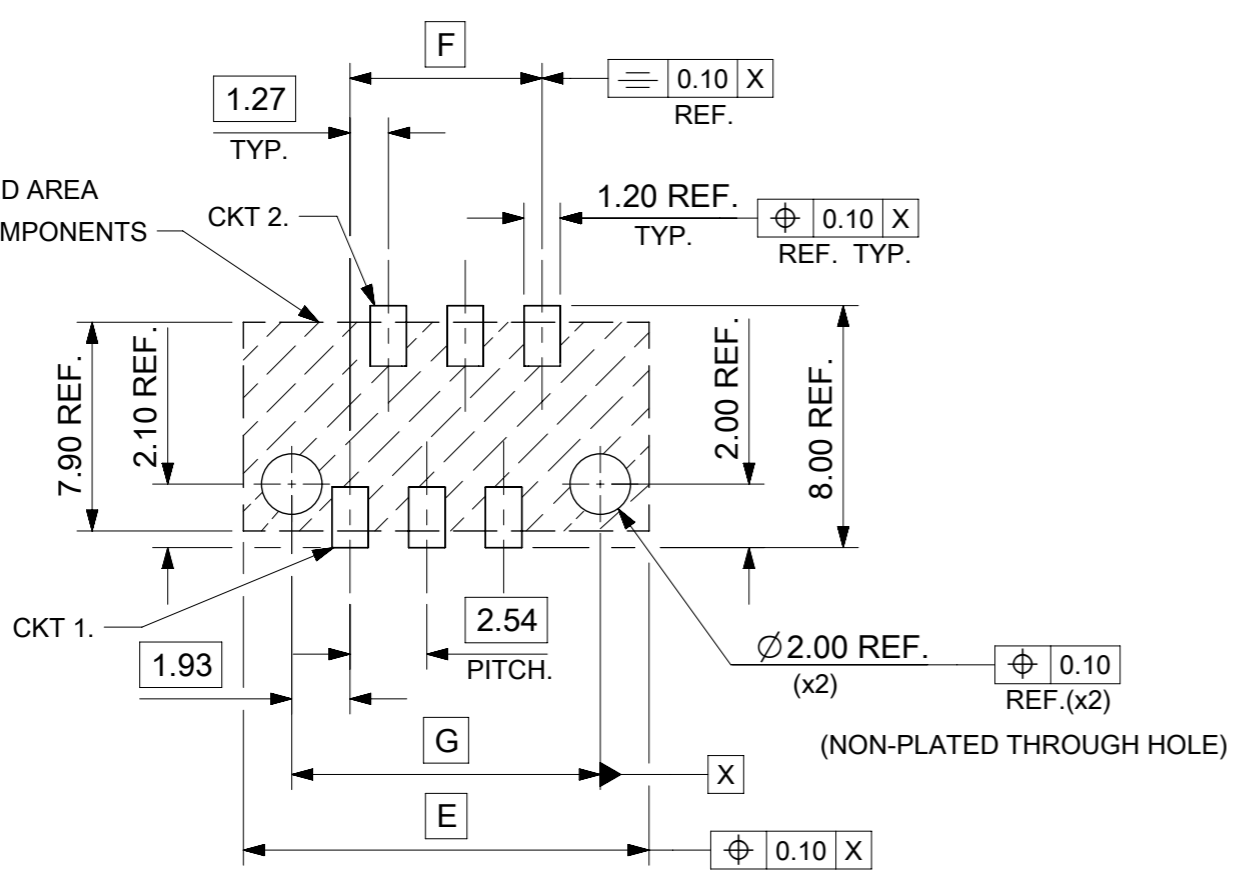
90816 - ** **

CIRCUIT SIZE.

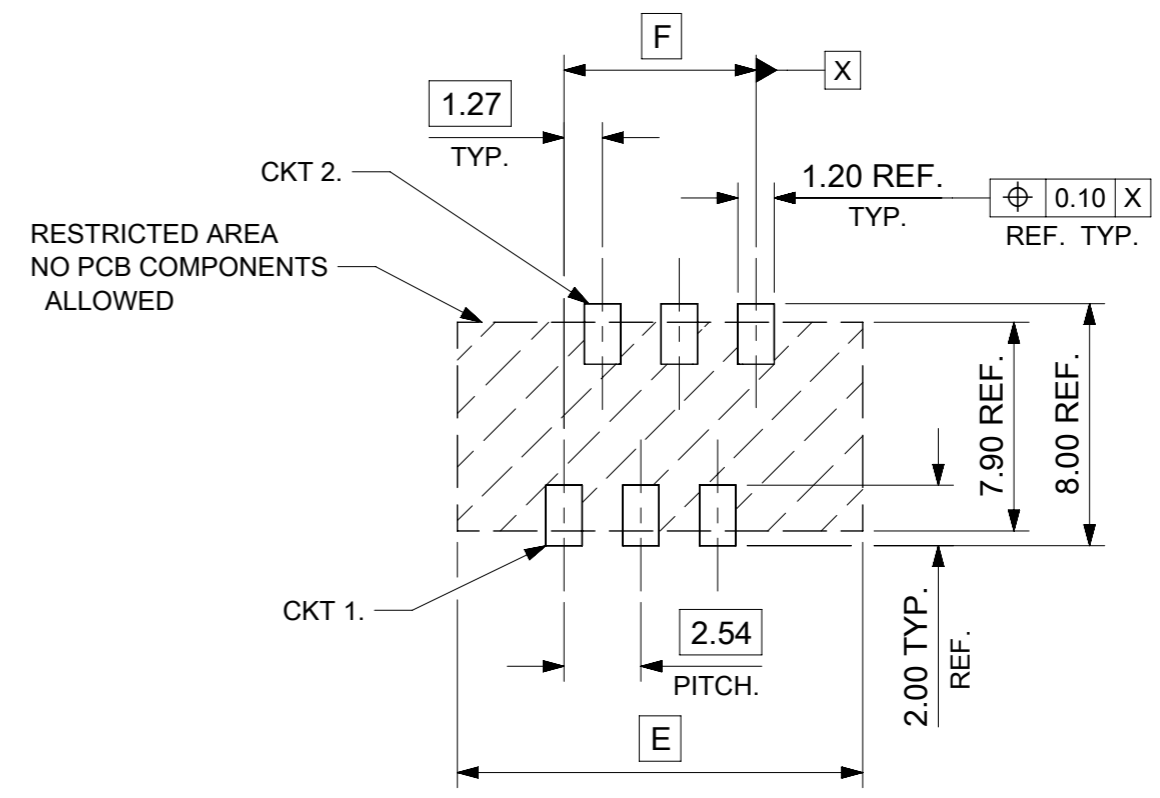
| | PCB PEGS | TUBE PACKED | TAPE & REEL PACKED |
|---|----------|-------------|--------------------|
| 0 | YES | YES | NO |
| 2 | YES | NO | YES |
| 3 | NO | YES | NO |
| 5 | NO | NO | YES |

0 = TIN VERSION
3 = 0.76µm GOLD PLATING

| | | | | | |
|--|---------------------------------------|---|-----------------------------|---------------------------------|--|
| FUNCTIONAL SYMBOLS | | THIS DRAWING CONTAINS INFORMATION THAT IS PROPRIETARY TO MOLEX ELECTRONIC TECHNOLOGIES, LLC AND SHOULD NOT BE USED WITHOUT WRITTEN PERMISSION | | CURRENT REV DESC: CAD MIGRATION | |
| $\nabla/A = 0$ | DIMENSION UNITS | SCALE | molex | | |
| $\nabla/E = 0$ | mm | 5:1 | PICOFLEX SMT LATCHED HEADER | | |
| $\nabla/E = 0$ | GENERAL TOLERANCES (UNLESS SPECIFIED) | | PRODUCT CUSTOMER DRAWING | | |
| $\nabla/E = 0$ | ANGULAR TOL ± 2.0° | | DOCUMENT NUMBER | | |
| DIVISIONAL SYMBOLS | | EC NO: 738955 | | 2023/02/02 | |
| 3 PLACES ± | | DRWN: GOWTHP | | 2023/02/16 | |
| 2 PLACES ± 0.25 | | CHK'D: GOWTHP | | 2023/02/20 | |
| 1 PLACE ± 0.35 | | APPR: ISHWARG | | INITIAL REVISION: | |
| 0 PLACES ± | | DRWN: DBYRNES | | 2008/08/16 | |
| DRAFT WHERE APPLICABLE MUST REMAIN WITHIN DIMENSIONS | | APPR: EFOLAN | | 2010/11/04 | |
| THIRD ANGLE PROJECTION | | DRAWING | | SERIES | |
| A3 | | 90816 | | MATERIAL NUMBER | |
| SEE CHART | | GENERAL MARKET | | CUSTOMER | |
| 1 OF 2 | | SHEET NUMBER | | REVISION | |



RECOMMENDED PCB THICKNESS 1.60±0.14
 PCB LAYOUT FOR CLEARANCE FIT WITH PCB PEGS
 HEADER VERSIONS 90816-*0**/*2**
 VIEWED FROM COMPONENT SIDE
 6CKT PART SHOWN FOR REFERENCE



PCB LAYOUT WITHOUT PCB PEGS
 HEADER VERSIONS 90816-*3**/*5**
 VIEWED FROM COMPONENT SIDE
 6CKT PART SHOWN FOR REFERENCE

| | | | | |
|------------|----------------|--------|--------|--------|
| 90816-**26 | 26 | 38.80 | 31.75 | 35.60 |
| 90816-**24 | 24 | 36.26 | 29.21 | 33.06 |
| 90816-**22 | 22 | 33.72 | 26.67 | 30.52 |
| 90816-**20 | 20 | 31.18 | 24.13 | 27.98 |
| 90816-**18 | 18 | 28.64 | 21.59 | 25.44 |
| 90816-**16 | 16 | 26.10 | 19.05 | 22.90 |
| 90816-**14 | 14 | 23.56 | 16.51 | 20.36 |
| 90816-**12 | 12 | 21.02 | 13.97 | 17.82 |
| 90816-**10 | 10 | 18.48 | 11.43 | 15.28 |
| 90816-**08 | 8 | 15.94 | 8.89 | 12.74 |
| 90816-**06 | 6 | 13.40 | 6.35 | 10.20 |
| 90816-**04 | 4 | 10.86 | 3.81 | 7.66 |
| PART NO. | NUMBER OF CKTS | DIM. E | DIM. F | DIM. G |

| | | | | |
|--|---|---------------------------------|-------------------------|--|
| FUNCTIONAL SYMBOLS | THIS DRAWING CONTAINS INFORMATION THAT IS PROPRIETARY TO MOLEX ELECTRONIC TECHNOLOGIES, LLC AND SHOULD NOT BE USED WITHOUT WRITTEN PERMISSION | CURRENT REV DESC: CAD MIGRATION | | molex |
| | GENERAL TOLERANCES (UNLESS SPECIFIED) | EC NO: 738955 | | |
| ANGULAR TOL ± 2.0° | 4 PLACES ± | DRWN: GOWTHP | 2023/02/02 | PRODUCT CUSTOMER DRAWING |
| 3 PLACES ± | 2 PLACES ± 0.25 | CHK'D: GOWTHP | 2023/02/16 | |
| 2 PLACES ± 0.35 | 1 PLACE ± | APPR: ISHWARG | 2023/02/20 | DOCUMENT NUMBER SD-90816-001 DOC TYPE PSD DOC PART 001 REVISION G1 |
| 0 PLACES ± | | INITIAL REVISION: DRWN: DBYRNES | 2010/11/04 | |
| DRAFT WHERE APPLICABLE MUST REMAIN WITHIN DIMENSIONS | THIRD ANGLE PROJECTION | DRAWING A3-SIZE | SERIES 90816 | MATERIAL NUMBER SEE SHEET 1 |
| | | | CUSTOMER GENERAL MARKET | SHEET NUMBER 2 OF 2 |