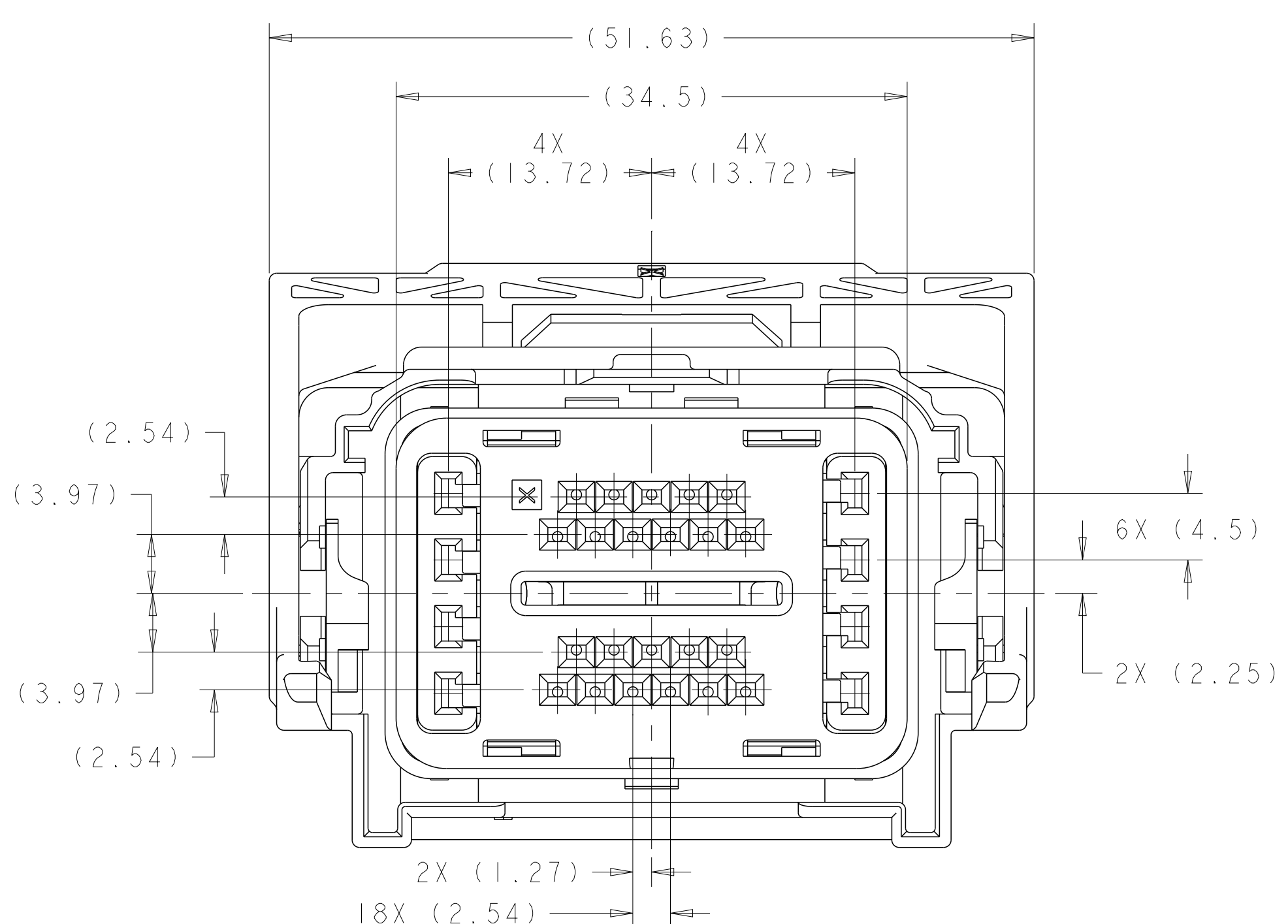
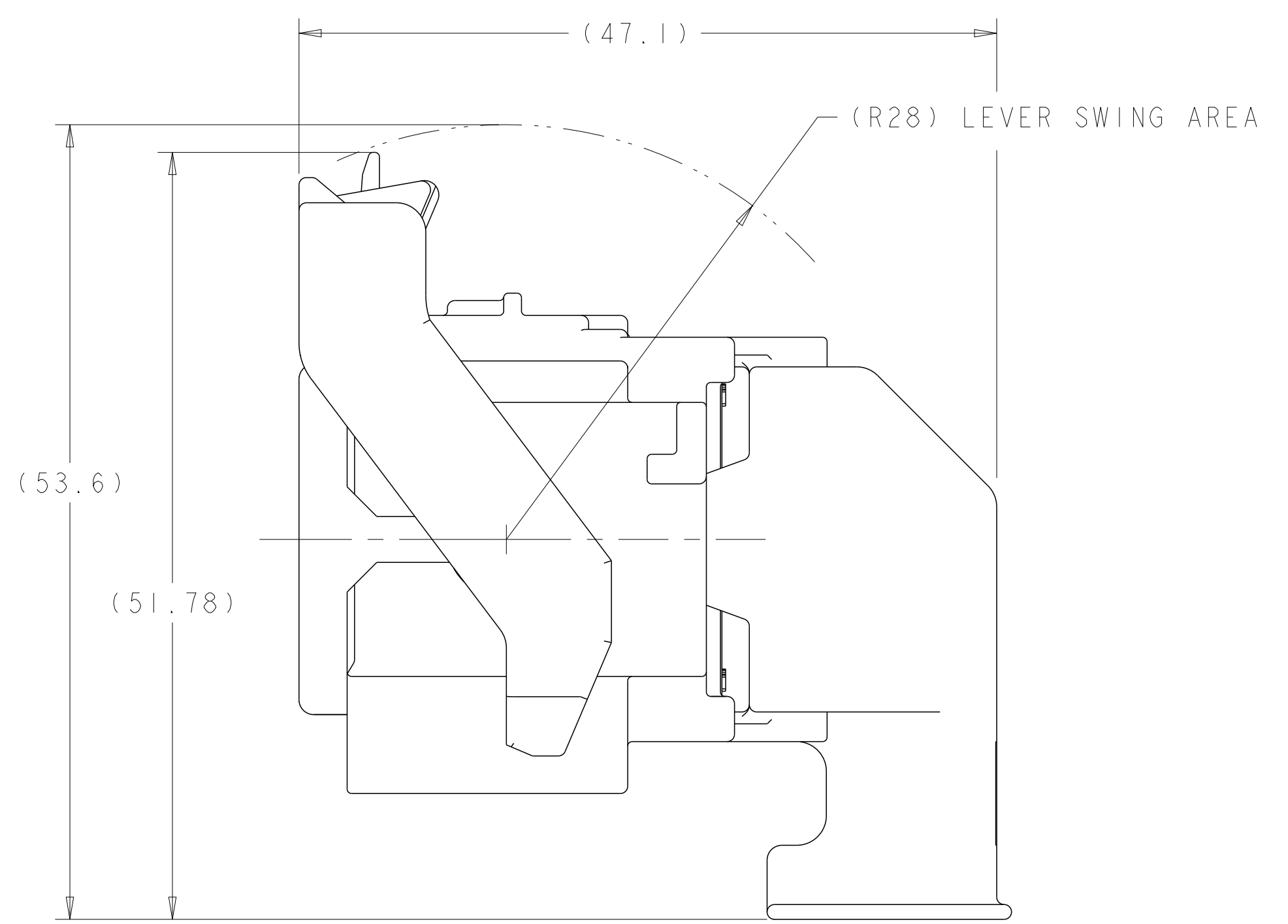


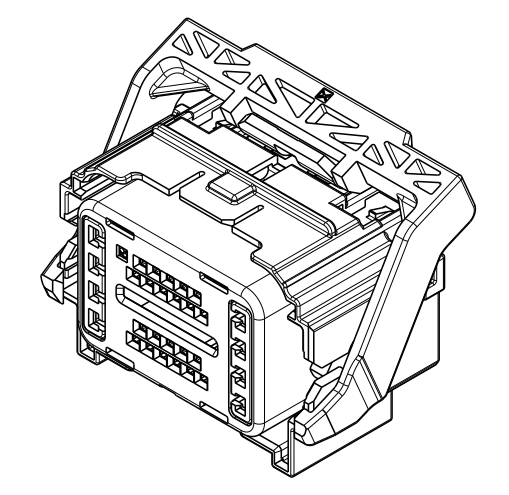
| REVISIONS |     |                           |           |         |
|-----------|-----|---------------------------|-----------|---------|
| P         | LTN | DESCRIPTION               | DATE      | APVD    |
| H8        |     | REVISED PER ECO-15-011500 | 07AUG2015 | DLD DCM |
| H9        |     | REVISED PER ECO-18-005723 | 16APR2018 | JMS CM  |
| H10       |     | REVISED PER ECO-20-012415 | 10SEP2020 | AP CM   |
| H11       |     | REV PER ECN-22-186795     | 19DEC2022 | SMR DM  |



KEYING OPTION "A"  $\triangle$   
 1438083-1

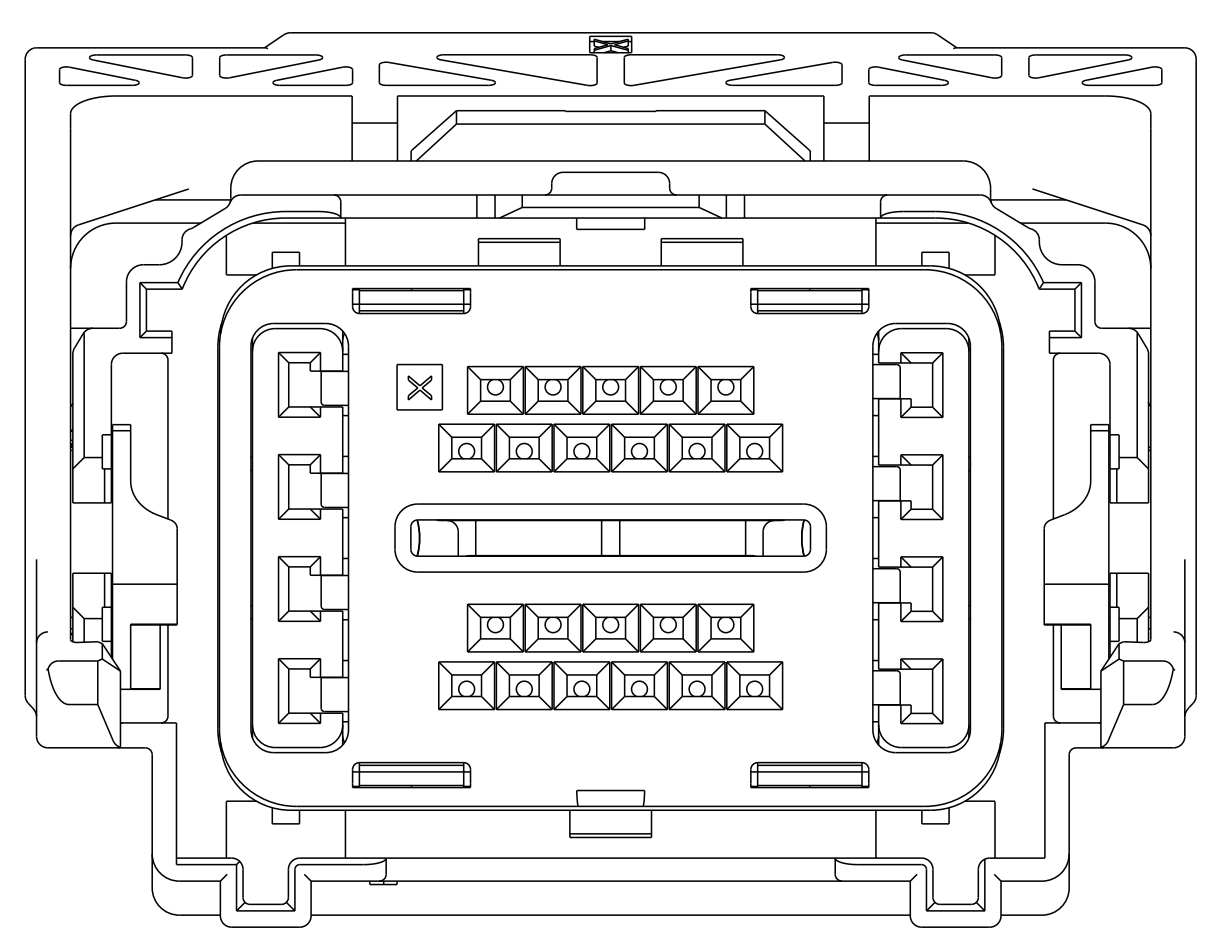


SHOWN WITH CAM LEVER AND SPACER  
 IN LOADED POSITION WITH  
 OPTIONAL WIRESHIELD



SCALE 1:1

- $\triangle$  MATERIAL:  
 HARNESS - 35% GLASS FILLED PA66, BLACK  
 ALT MAT'L - 30% GLASS FILLED sPS, BLACK
- SPACER - 40% GLASS FILLED PPS, RED  
 ALT MAT'L - 30% GLASS FILLED sPS, RED
- COVER - 35% GLASS FILLED PA66, BLACK  
 ALT MAT'L - 30% GLASS FILLED LCP, BLACK
- CAM LEVER - 35% GLASS FILLED NYLON, GRAY  
 GROMMET - SILICONE, BROWN  
 PERIMETER SEAL - SILICONE, GREEN
- 2. CAM LEVER AND SPACER ARE SHIPPED IN PRE-LATCH POSITION.
- $\triangle$  SEE PINOUT CHART FOR CLOSED CIRCUIT CONFIGURATIONS.
- $\triangle$  CAVITIES WITH A NUMERIC SYMBOL INDICATES CLOSED TERMINAL LOCATIONS.  
 BLANK CAVITIES INDICATE OPEN TERMINAL HOLE LOCATIONS.
- $\triangle$  OBSOLETE PART



KEYING OPTION "B"  $\triangle$   
 2272926-1

CHART FOR CLOSED CIRCUIT CONFIGURATIONS  
 SHEET 2

|  |  |                      |           |  |                 |
|--|--|----------------------|-----------|--|-----------------|
| THIS DRAWING IS A CONTROLLED DOCUMENT. |  | OWN<br>R. VESTAL     | 15OCT2003 |  | TE Connectivity |
| DIMENSIONS:                            |  | CHK<br>D. STRAUSSER  | 15OCT2003 |  |                 |
| mm                                     | TOLERANCES UNLESS OTHERWISE SPECIFIED: | APVD<br>D. STRAUSSER | 15OCT2003 | NAME<br>PCM HARNESS ASSEMBLY, 30-WAY CONNECTOR |                 |
|  | 0 PLC ±                                | PRODUCT SPEC         |           | SIZE   | CAGE CODE       |
|  | 1 PLC ±0.3                             | APPLICATION SPEC     |           | A1   | 00779           |
|  | 2 PLC ±0.10                            |                      |           | C=1438083                                      |                 |
|  | 3 PLC ±                                | WEIGHT               |           | SCALE  | 3:1             |
|  | 4 PLC ±                                | CUSTOMER DRAWING     |           | SHEET  | 1 OF 2          |
|  | ANGLES ±                               |                      |           | REV  | H11             |
|  | FINISH ±                               |                      |           |  |                 |

