

4

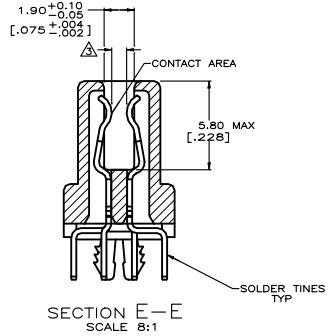
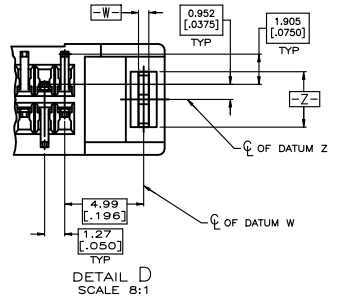
3

2

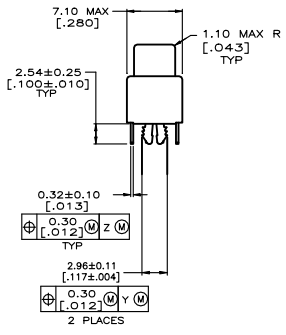
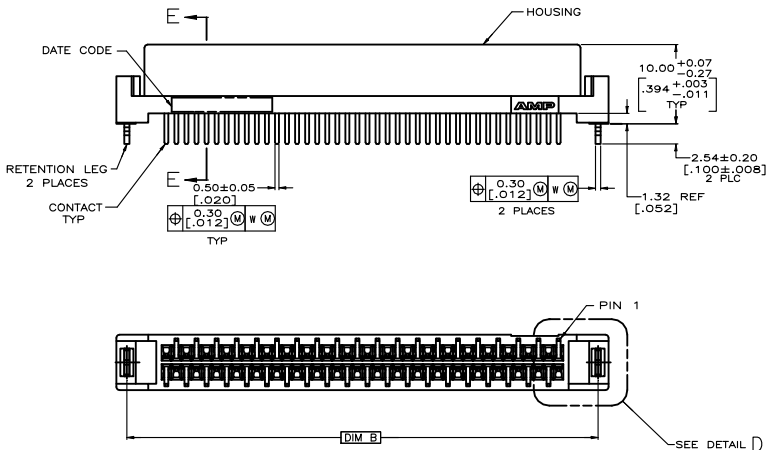
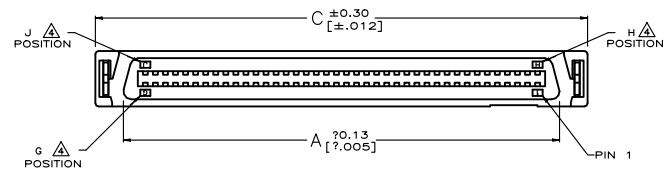
1

THIS DRAWING IS UNPUBLISHED. RELEASED FOR PUBLICATION
 BY TYCO ELECTRONICS CORPORATION. ALL RIGHTS RESERVED.

LOC		DIST		REVISIONS			
P	LTR	DESCRIPTION		DATE	DWN	APVD	
	B2	REVISED PER ECN-23-202744		14MAR23	IT	WH	



- △ HOUSING: PPA RESIN, BLACK.
CONTACTS: PHOSPHOR BRONZE.
RETENTION LEG: BRASS.
- 2. CONNECTOR WILL ACCOMMODATE PRINTED CIRCUIT BOARD THICKNESS OF 0.79 TO 1.60 [.031 TO .063].
- △ CONNECTOR WILL ACCOMMODATE MATING PRINTED CIRCUIT BOARD OF 1.60±0.08 [.063±.003] THICKNESS.
- △ SEE TABLE G, J, AND H INDICATE NUMBER OF POSITIONS MARKED ON ASSEMBLY.
- △ CONTACTS: GOLD FLASH OVER 0.76µm [.000030] MIN PALLADIUM-NICKEL, OR 0.76µm [.000030] MIN GOLD PLATING ON CONTACT AREA, 3.81µm [.000150] MIN MATTE TIN PLATING ON SOLDER TAILS, 1.27µm [.000050] MIN NICKEL UNDERPLATING OVERALL.
- △ RETENTION LEG: 3.81µm [.000150] MIN MATTE TIN OVER 1.27µm [.000050] MIN NICKEL.
- 7 WAVE SOLDER CAPABLE TO 265°C PER TE SPEC 109-202, CONDITION B.
- △ ALL DIMENSIONS SHOWN ARE MAXIMUM UNLESS OTHERWISE SPECIFIED.



OBSOLETE	130	66	65	93.90 [3.697]	91.26 [3.593]	86.82 [3.418]	△△	130	3-1734331-3
	80	41		62.22 [2.450]	59.51 [2.343]	55.07 [2.168]	△△	80	2-1734331-1
	68	35		54.57 [2.148]	51.89 [2.043]	47.45 [1.868]	△△	68	1-1734331-7
OBSOLETE	50	26	25	43.10 [1.697]	40.46 [1.593]	36.02 [1.418]	△△	50	1734331-9
	J	H	G	C	B	A	FINISH	POSITION	PART NUMBER

THIS DRAWING IS A CONTROLLED DOCUMENT.

DWN 06JUN2006
O. HU
CHK 06JUN2006
S. HOU
APVD 06JUN2006
W.J. KF

TE Connectivity

RECEPTACLE ASSEMBLY, V/T,
BOARD-TO-BOARD, .050 SERIES I, CHAMP*

108-57876

SIZE A3 CAGE CODE 00779 DRAWING NO C=1734331 RESTRICTED TO -

WEIGHT -

CUSTOMER DRAWING SCALE - SHEET 1 OF 3 REV B2

DIMENSIONS:	TOLERANCES UNLESS OTHERWISE SPECIFIED:
mm	0 PLC ± -
	1 PLC ± -
	2 PLC ± - △
	3 PLC ± -
	4 PLC ± -
ANGLES	± -

MATERIAL SEE NOTE FINISH SEE NOTE

4

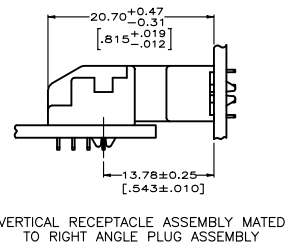
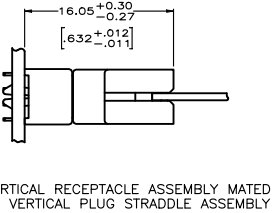
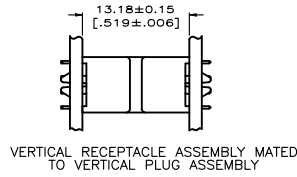
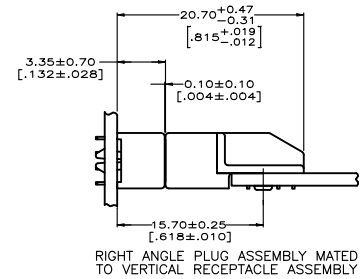
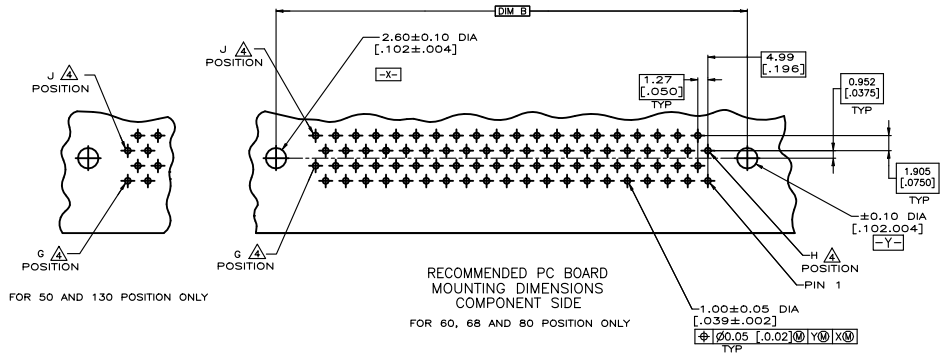
3

2

1

THIS DRAWING IS UNPUBLISHED. RELEASED FOR PUBLICATION
 COPYRIGHT 2011 BY TYCO ELECTRONICS CORPORATION. ALL RIGHTS RESERVED.

LOC	DIST	REVISIONS			
P	LTR	DESCRIPTION	DATE	DWN	APVD
		SEE SHEET 1.			



THIS DRAWING IS A CONTROLLED DOCUMENT.

DIMENSIONS:	TOLERANCES UNLESS OTHERWISE SPECIFIED:	DWN	TE Connectivity		
mm	0 PLC ± -	CHK	NAME		
	1 PLC ± -	APVD	RECEPTACLE ASSEMBLY, V/T, BOARD-TO-BOARD, .050 SERIES I, CHAMP*		
	2 PLC ± -	PRODUCT SPEC	SIZE	CAGE CODE	DRAWING NO
	3 PLC ± -	APPLICATION SPEC	A3	00779	C=1734331
	4 PLC ± -	WEIGHT	RESTRICTED TO		
MATERIAL	FINISH	CUSTOMER DRAWING		SCALE	SHEET 2 OF 3
				REV	B2

4

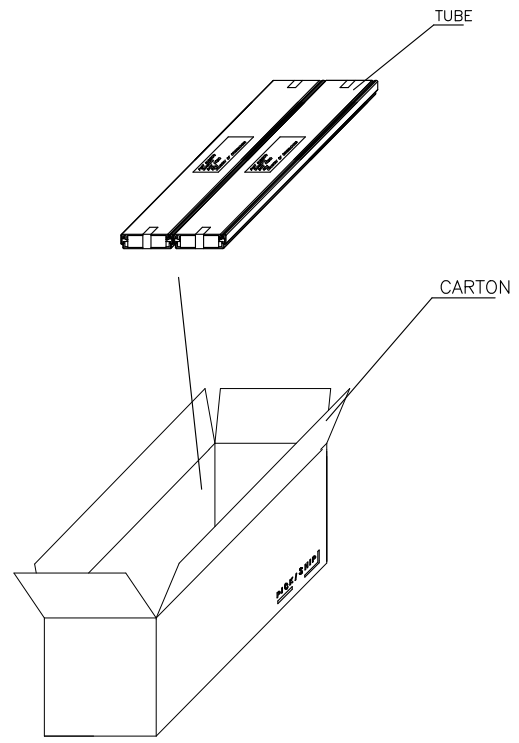
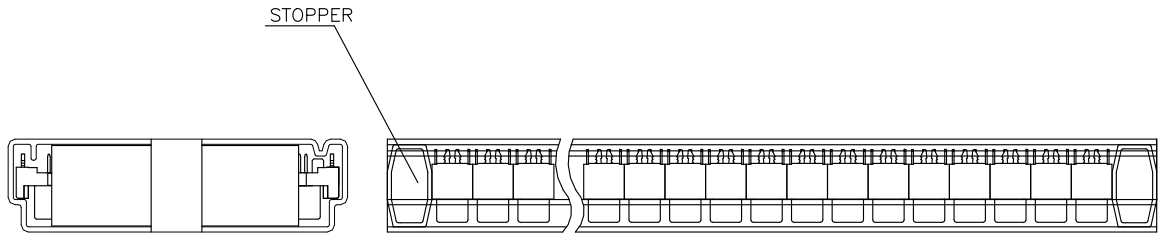
3

2

1

THIS DRAWING IS UNPUBLISHED. RELEASED FOR PUBLICATION
 © COPYRIGHT 2011 BY TYCO ELECTRONICS CORPORATION. ALL RIGHTS RESERVED.

LOC	DIST	REVISIONS				
P	LTR	DESCRIPTION	DATE	DWN	APVD	
		SEE SHEET 1.				



① OBSOLETE	4.74	3.55	54	8	432	3-1734331-3	130
	6.13	4.65	54	16	864	2-1734331-1	80
	5.01	3.52	54	16	864	1-1734331-7	68
② OBSOLETE	5.79	4.15	54	24	1296	1734331-9	50
	G.W./CARTON (KG)	N.W./CARTON (KG)	PCS/TUBE	TUBES/CARTON	QUANTITY/CARTON (PCS)	PART NUMBER	POS.

THIS DRAWING IS A CONTROLLED DOCUMENT.

DIMENSIONS: mm	TOLERANCES UNLESS OTHERWISE SPECIFIED:	DWN	 TE Connectivity RECEPTACLE ASSEMBLY, V/T, BOARD-TO-BOARD, .050 SERIES I, CHAMP*
	0 PLC ± -	CHK	
	1 PLC ± -	APVD	
	2 PLC ± -	PRODUCT SPEC	
	3 PLC ± -	APPLICATION SPEC	NAME
	4 PLC ± -	WEIGHT	SIZE CAGE CODE DRAWING NO RESTRICTED TO
	ANGLES ± -	CUSTOMER DRAWING	A3 00779 C=1734331
MATERIAL	FINISH	SCALE	SHEET 3 of 3 REV B2