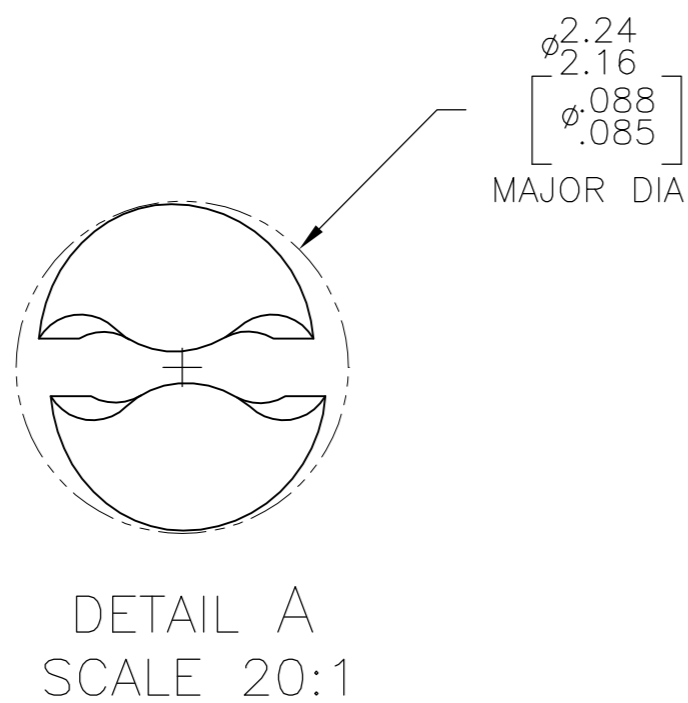
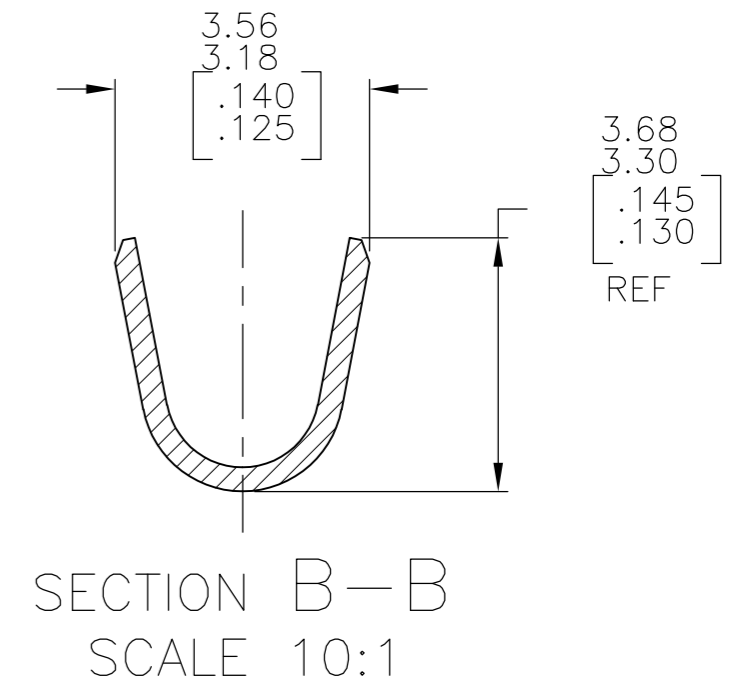
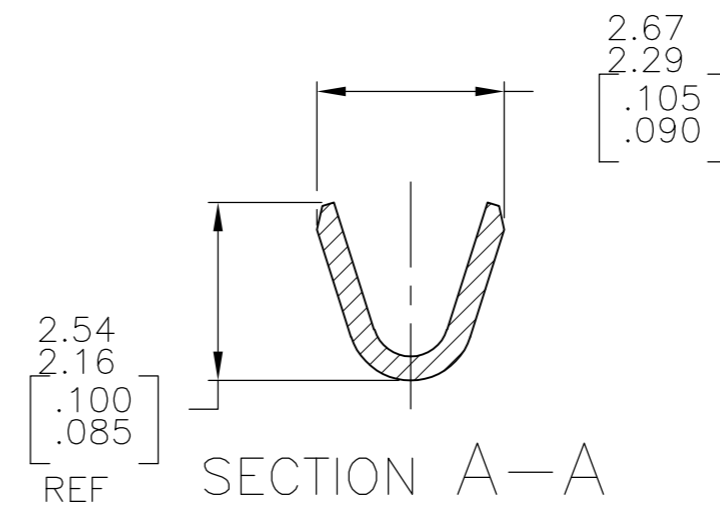
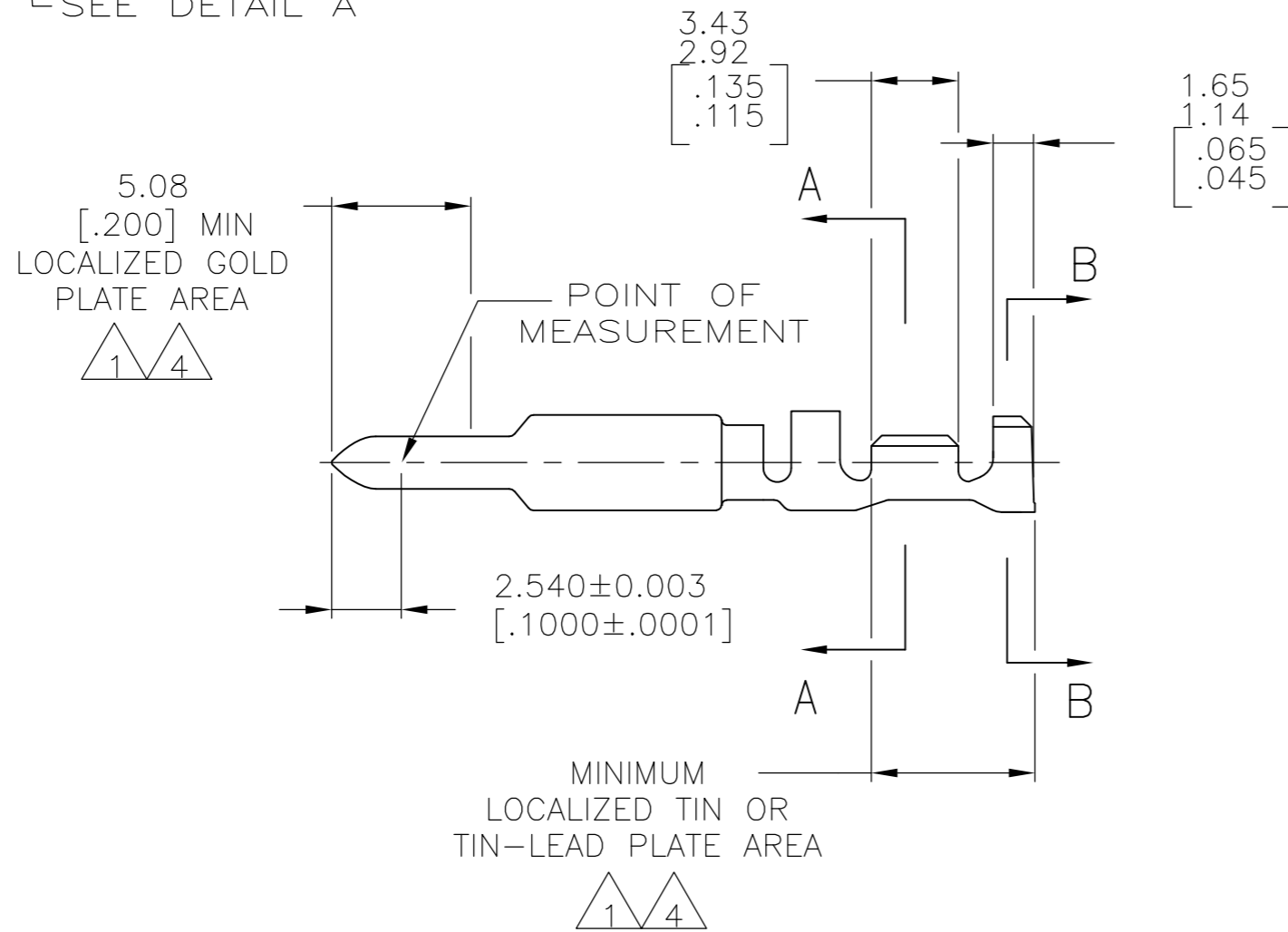
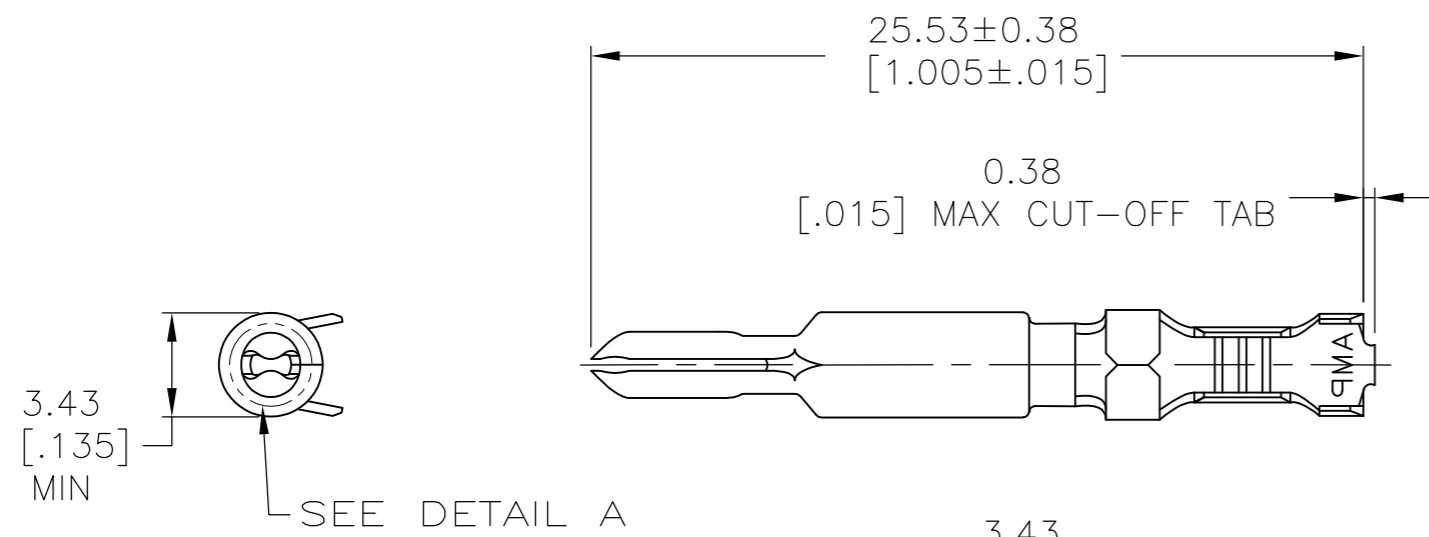


THIS DRAWING IS UNPUBLISHED. RELEASED FOR PUBLICATION
 © COPYRIGHT - By - ALL RIGHTS RESERVED.

LOC	DIST	REVISIONS					
CM	00	P	LTR	DESCRIPTION	DATE	DWN	APVD
		G		REVISED PER ECR-13-008204	10DEC2013	KH	TM



- 1 0.00076[.000030] MIN GOLD AT POINT OF MEASUREMENT IN THE LOCALIZED GOLD PLATE AREA, 0.00127[.000050] MIN TIN-LEAD IN TIN-LEAD PLATE AREA, 0.00127[.000050] MIN NICKEL UNDERPLATE ON ENTIRE CONTACT.
- 2 WIRE RANGE: 0.2-1mm² [24-18 AWG]. INSULATION RANGE: 1.02-2.54 [.040-.100] DIA.
- 3 DIMENSIONS IN BRACKETS ARE IN INCHES.
- 4 0.00076[.000030] MIN GOLD AT POINT OF MEASUREMENT IN THE LOCALIZED GOLD PLATE AREA, 0.00127[.000050] MIN TIN IN TIN PLATE AREA, 0.00127[.000050] MIN NICKEL UNDERPLATE ON ENTIRE CONTACT.
- 5 SUPERSEDED BY 1-770252-0

5	GOLD	4	0.30 [.012]	BRASS	1-770252-0
	GOLD	1	0.30 [.012]	BRASS	-770252-2-
	PRE-TIN		0.30 [.012]	BRASS	770252-1
	FINISH			MATERIAL	PART NUMBER

THIS DRAWING IS A CONTROLLED DOCUMENT.		DWN K. WHITAKER 30SEP04	TE Connectivity		
DIMENSIONS: mm [INCHES]		CHK C.JONES 30SEP04	NAME PIN, LOOSE PIECE, UNIVERSAL MATE-N-LOK(TM) II		
TOLERANCES UNLESS OTHERWISE SPECIFIED:		APVD C.JONES 30SEP04	SIZE A2		
0 PLC ± -		PRODUCT SPEC	CAGE CODE 00779	DRAWING NO C=770252	RESTRICTED TO
1 PLC ± -		APPLICATION SPEC	SCALE 4:1		
2 PLC ± 0.13 [.005]		WEIGHT -	SHEET 1 of 1		
3 PLC ± -		CUSTOMER DRAWING			REV G
4 PLC ± -					
ANGLES ± 0'30"					
FINISH					