

NOTES:

1. MATERIALS AND FINISHES:

BODY - ZINC DIECAST, NICKEL PLATING
 CONTACT - PHOSPHOR BRONZE, GOLD PLATING
 INSULATOR - DELRIN, NATURAL
 LOCK WASHER & SOLDER TAG - BRASS, NICKEL PLATED
 HEX NUT - CARBON STEEL, NICKEL PLATED

2. ELECTRICAL:

A. IMPEDANCE: 50 OHM
 B. DIELECTRIC WITHSTANDING VOLTAGE: 1000 VRMS, MIN.

3. MECHANICAL:

A. DURABILITY: 500 CYCLES MIN.
 B. TEMPERATURE RANGE: -40°C TO +85°C

4. MAX. PANEL THICKNESS IS 3.3 MM

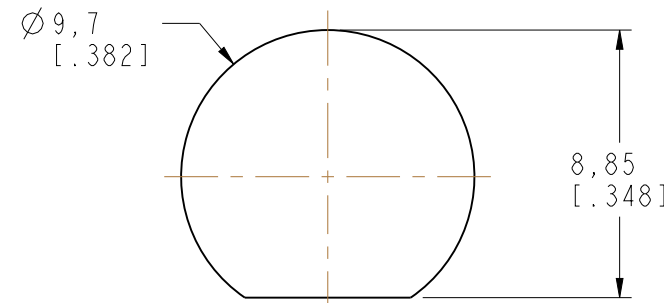
5. PACKAGING:

A. QUANTITY: SINGLE PACK
 B. BAG TO BE MARKED: AMPHENOL RF
 112575
 DATE CODE

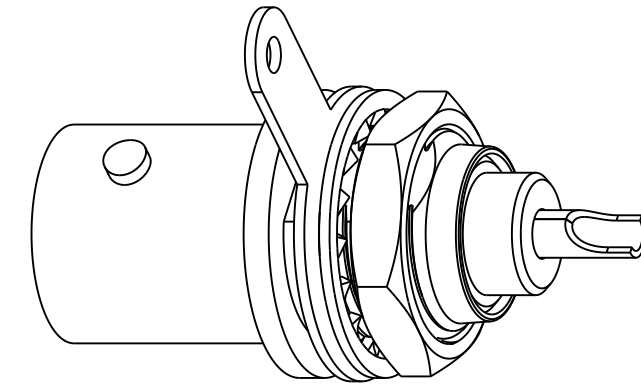
THIRD ANGLE PROJ.

REVISIONS

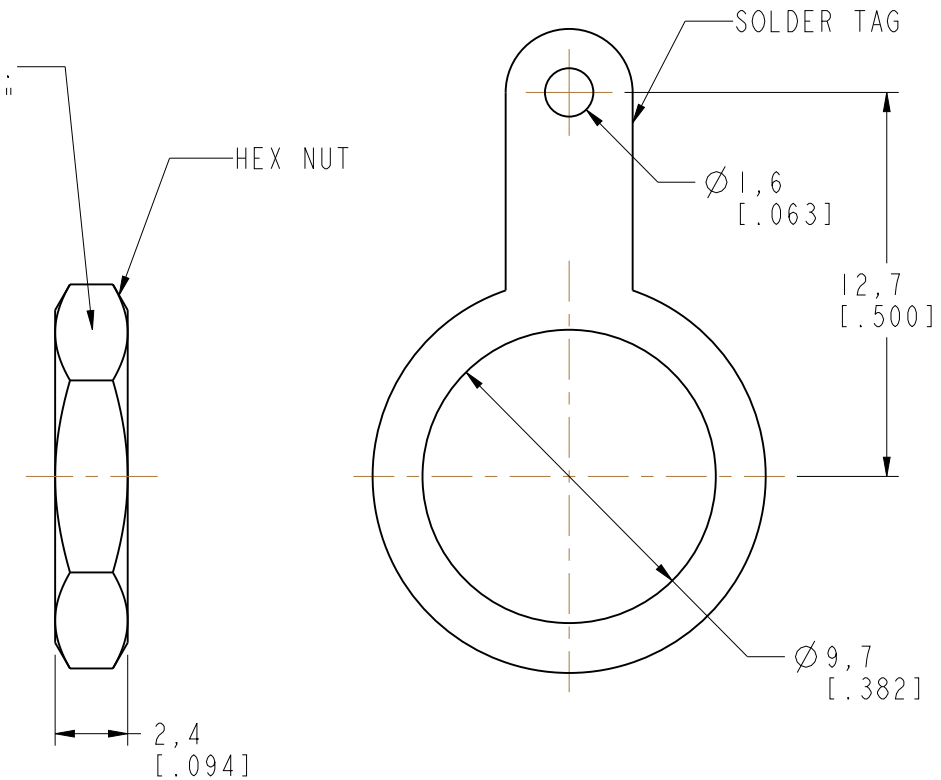
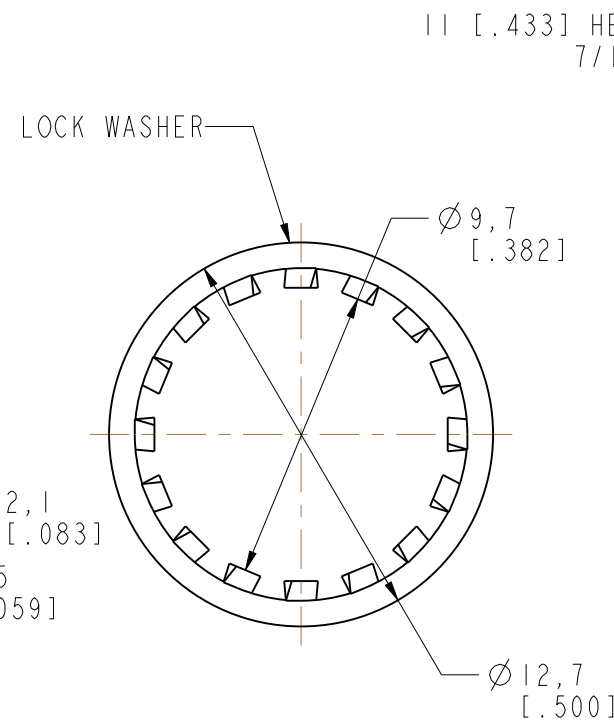
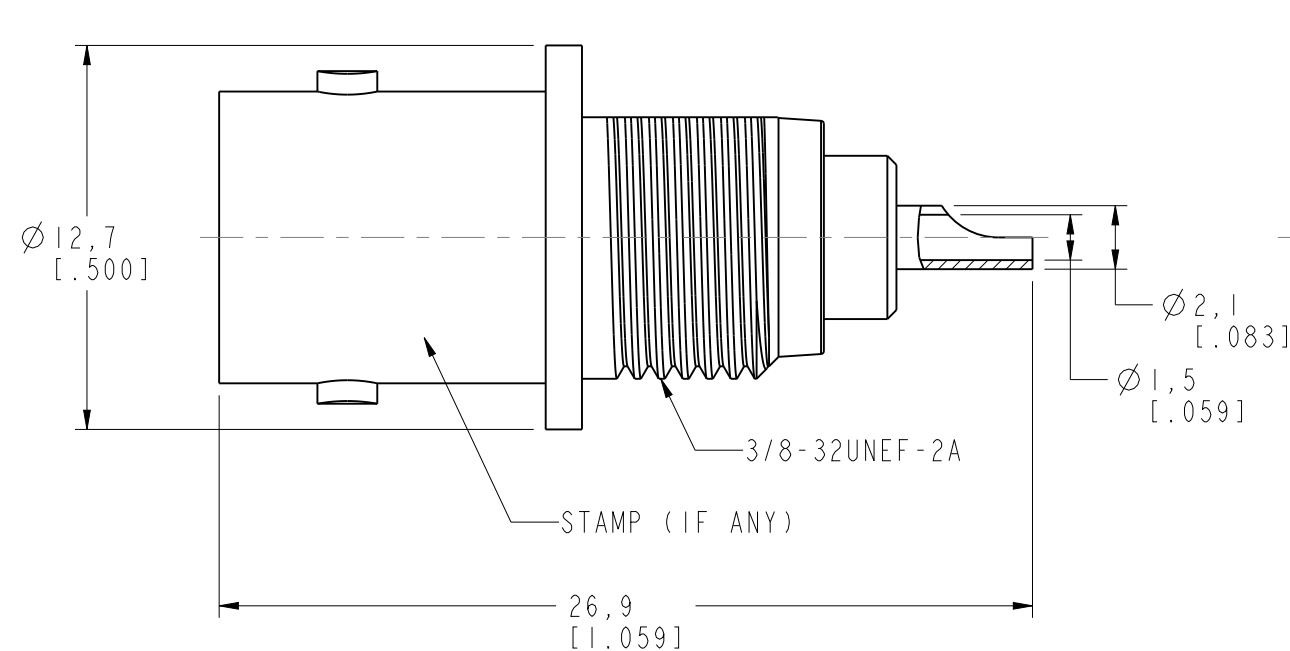
REV	DESCRIPTION	DATE	ECO	APPR
A	RELEASE TO MFG.	5/3/91	38063	DR
B	UPDATE HEX NUT PART PLATING SPEC.	13-Feb-15		SH
H	SEE SHEET I	11/24/00	43339	CPM
J	SYNC, UPDATE THE DRAWING FORMAT \RD-DMI6052501S2	13-Apr-16	00884	SH
K	ADD PACKAGING INFORMATION IN NOTE5 \RD-DMI7021601S2	25-Oct-16	03103	KEN



RECOMMENDED MOUNTING HOLE DIMENSIONS



SCALE 3.000



CUSTOMER OUTLINE DRAWING

ALL OTHER SHEETS ARE FOR INTERNAL USE ONLY

UNLESS OTHERWISE SPECIFIED, DIMENSIONS ARE IN METRIC AND TOLERANCES ARE:
 <0.5mm ±0.05mm 0.5 - 6mm ±0.1mm 6 - 30mm ±0.2mm 30 - 120mm ±0.3mm ANGLES ±1°

NOTICE - These drawings, specifications, or other data (1) are, and remain the property of Amphenol corp. (2) must be returned upon request; and (3) are confidential and not to be disclosed to any person other than those to whom they are given by Amphenol Corp. the furnishing of these drawings, specifications, or other data by Amphenol Corp., or to any other person to anyone for any purpose is not to be regarded by implication or otherwise in any manner licensing, granting rights to permitting such holder or any other person to manufacture, use or sell any product, process or design, patented or otherwise, that may in any way be related to or disclosed by said drawings, specifications, or other data.

MATERIAL	DRAWN S.DUAN	DATE 23-Feb-17	TITLE BNC BULKHEAD RECEPTACLE JACK		Amphenol RF www.amphenolrf.com	
REFERENCE AND CONFIGURATION LEVEL: In Work	ENGINEER S.HSIEH	DATE 08-Sep-06				
FINISH	APPROVED S.HSIEH	DATE 27-Feb-17	SCALE: 2.0:1.0	SHEET 3 OF 3	DRAWING NO. B6351D4-ND3G-50	ITEM NO. 016351AAF0IND5F
	CAD FILE		DWG SIZE B	REV K	PART NO. 112575	