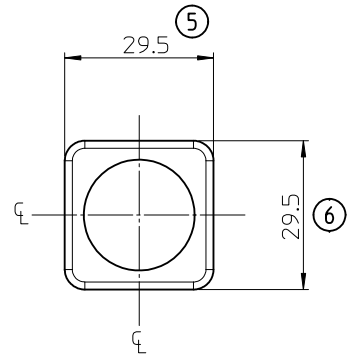


29mm M3 SCREW



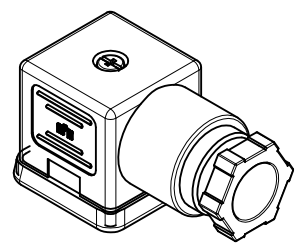
G11 GASKET

NOTES:

1. PRODUCT SPEC: PS-121201-001
2. PACKAGING: STANDARD BOX 1211160003, FIVE STANDARD BOXES IN A BIGGER BOX 1211160004
3. SPQ: 100, MOQ: 100
4. LABELLING: MOLEX STANDARD LABEL
5. EARTH POSITION: H12
6. PARTS ARE BULK PACK MOUNTED

LAST INSPECTION NUMBER USED: 11

| | | FINISHED GOOD PART No | |
|------------|--------------------------------|-----------------------|-----------------|
| PART No | DESCRIPTION | S18211NE0515400 | S18211GE0515400 |
| 1211331479 | S18 INSERT E0 CIRCUIT NO TAMPO | 1210650230 | 1210650229 |
| 1211310083 | COVER ASSEMBLY, PG11, BLACK | 100 | 100 |
| 1211310084 | COVER ASSEMBLY, PG11, GREY | 100 | - |
| 1211290001 | BAG OF 100 M3 BY 29mm SCREWS | - | 100 |
| 1211290080 | BAG OF 100 G11 GASKETS, BLACK | 1 | 1 |



UPDATED INSERT
 EC NO: WEU2011-0633
 DRWING: MAHER_WEU 2011/06/10
 CHKD:
 APPR: EFOLAN 2011/06/30

QUALITY SYMBOLS
 ▽=0
 ◻=0

| | GENERAL TOLERANCES (UNLESS SPECIFIED) | |
|----------------|---------------------------------------|-------|
| | mm | INCH |
| 4 PLACES | ± --- | ± --- |
| 3 PLACES | ± --- | ± --- |
| 2 PLACES | ± 0.10 | ± --- |
| 1 PLACE | ± 0.2 | ± --- |
| ANGULAR ± ---° | | |

DRAFT WHERE APPLICABLE MUST REMAIN WITHIN DIMENSIONS

| DIMENSION STYLE | | SCALE | DESIGN UNITS | THIRD ANGLE PROJECTION |
|-----------------|------------|------------------------------|--------------|------------------------|
| MM ONLY | | 1:1 | METRIC | ☉ |
| DRAWN BY | DATE | TITLE | | |
| DSHEA | 2011/02/17 | S182 SERIES FIELD ATTACHABLE | | |
| CHECKED BY | DATE | MOLEX INCORPORATED | | |
| APPROVED BY | DATE | DOCUMENT NO. | | |
| EFOLAN | 2011/03/21 | SD-121065-001 | | |
| MATERIAL NO. | SHEET NO. | | | |
| SEE TABLE | 1 OF 1 | | | |

THIS DRAWING CONTAINS INFORMATION THAT IS PROPRIETARY TO MOLEX INCORPORATED AND SHOULD NOT BE USED WITHOUT WRITTEN PERMISSION