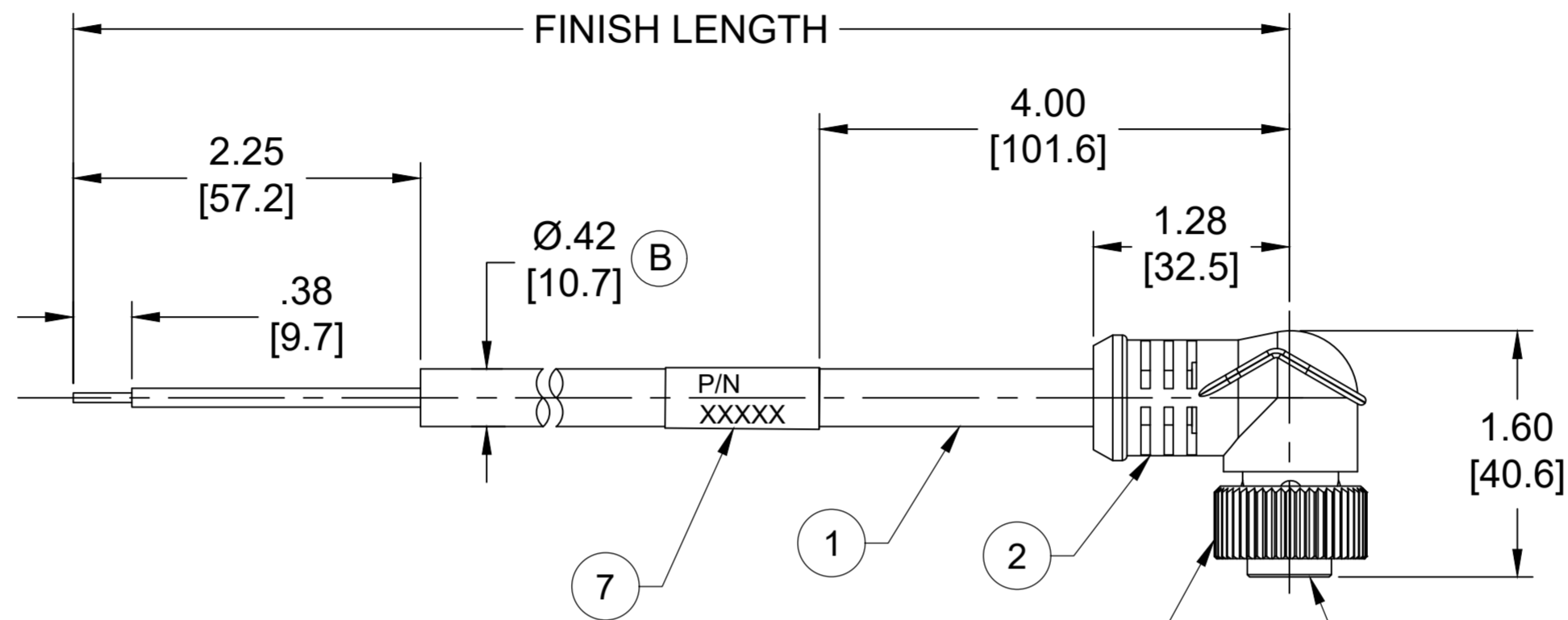
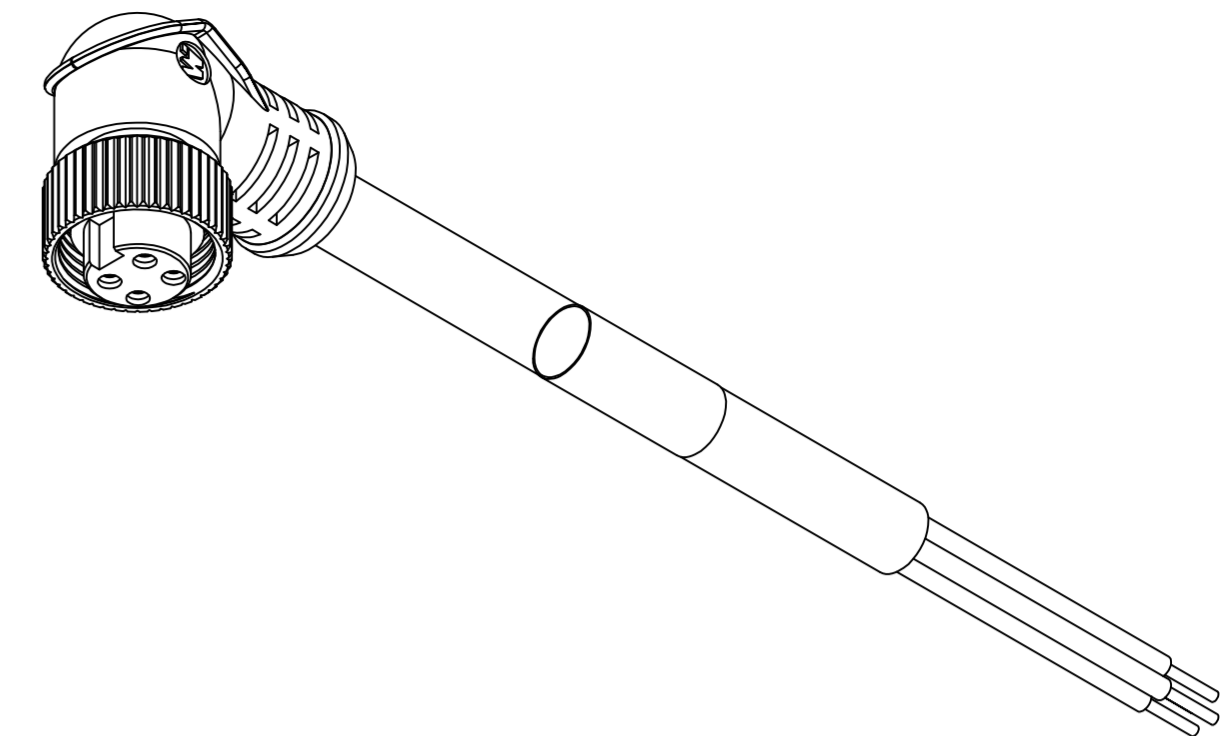


PART NO.	ENGINEERING NO.	FINISHED LENGTH
1300060898	104001A01F030	3FT [0.9M]
1300060902	104001A01F060	6FT [1.8M]
1300060905	104001A01F120	12FT [3.7M]
1300060912	104001A01F200	20FT [6.1M]

PART NUMBER LEGEND

104001A01F030

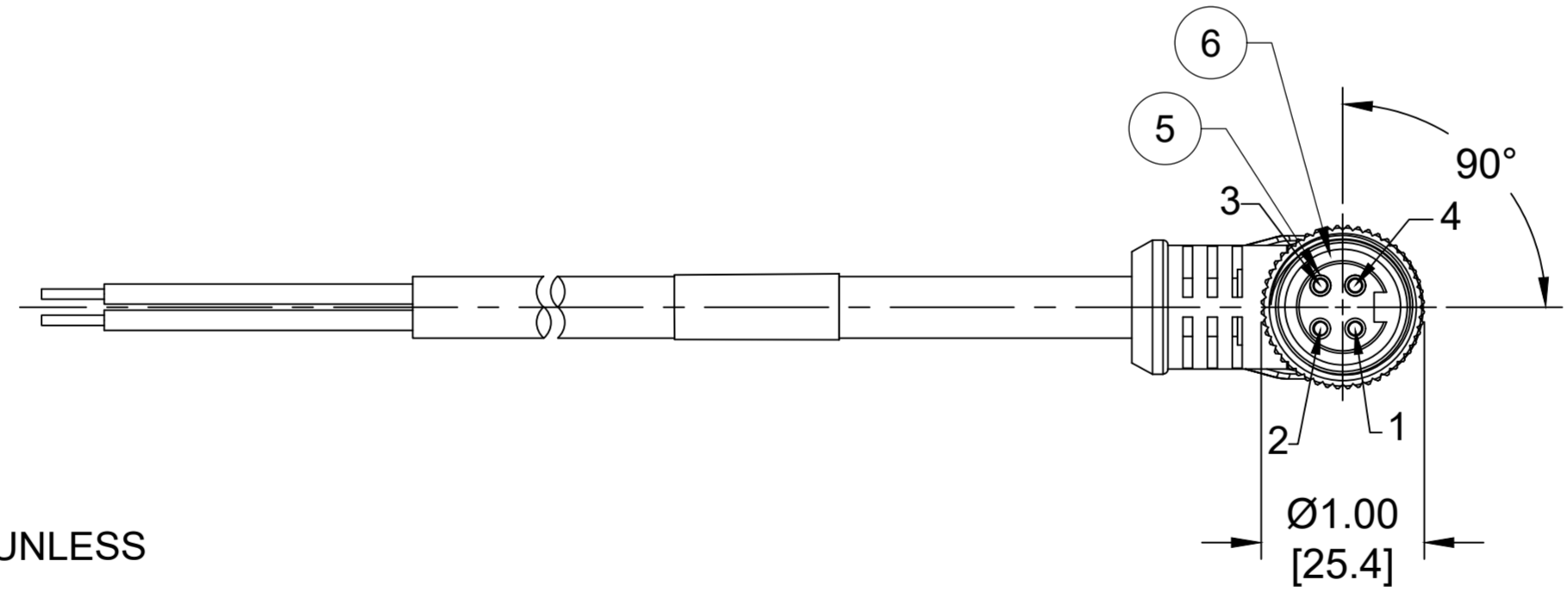
CABLE LENGTH
 F050 = 5 FEET
 F100 = 10 FEET
 F150 = 15 FEET



- NOTES:**
- MATERIAL: AS NOTED
 - FINISH: AS NOTED
 - ELECTRICAL:
 - VOLTAGE : 483V PER IEC 60664
 - 600V PER UL 2238
 - CURRENT: 10A
 - TEMP RATING: -20° TO +105°C
 - PROTECTION: IP67 (WHEN MATED)
 - COUPLING THREAD: 7/8"-16UN
 - UL RECOGNIZED FILE: E152210
CSA CERTIFIED FILE: LR6837
 - ALL DIMENSIONS ARE FOR REFERENCE UNLESS TOLERANCED OR NOTED OTHERWISE

WIRING DIAGRAM

	S1
BLACK	1
WHITE	2
RED	3
GREEN-GRD	4



FEMALE FACE VIEW

CABLE LENGTH TOLERANCES

<.3M [1FT]:	+19mm-0 [+.75in-0]
.3 - .9M [1 - 3FT]:	+44.5mm-0 [+1.75in-0]
.9 - 1.8M [3 - 6FT]:	+55.6mm-0 [+2.19in-0]
1.8 - 3.7M [6 - 12FT]:	+88.9mm-0 [+3.50in-0]
3.7 - 7.3M [12 - 24FT]:	+165.1mm-0 [+6.50in-0]
7.3-14.6M [24 - 48FT]:	+317.5mm-0 [+12.50in-0]
14.6 - 30.5M [48-100FT]:	+622.3mm-0 [+24.50in-0]
OVER 30M [100FT]	+2% OF FINISHED LENGTH

ITEM	COMPONENT	MATERIAL	FINISH
7	WRAP LABEL	VINYL	BLACK/YELLOW
6	FRICION RING	NYLON	WHITE
5	CONTACT SOCKET	COPPER ALLOY	GOLD OVER NICKEL
4	INSERT	TPE	YELLOW
3	COUPLING NUT	ZINC DIE CAST	BLACK-E-COAT
2	OVERMOLD	TPE	YELLOW
1	CABLE, 16 AWG STOOW/ST	PVC	YELLOW

FUNCTIONAL SYMBOLS FA=0 FC=0 FP=0	DIMENSION UNITS	SCALE	THIS DRAWING CONTAINS INFORMATION THAT IS PROPRIETARY TO MOLEX ELECTRONIC TECHNOLOGIES, LLC AND SHOULD NOT BE USED WITHOUT WRITTEN PERMISSION		
	INCH/MM	NTS	CURRENT REV DESC: ITEM# 2 & 4 WERE PVC.ITEM #7 WAS PLASTIC FILM. ADDED FRICTION RING, IEC VOLTAGE, PN LEGEND, CABLE DIA & TOL CHART. MODIFIED PN CHART		
	GENERAL TOLERANCES (UNLESS SPECIFIED)		EC NO: 698916		
	4 PLACES ±--- ±---		DRWN: ABENJAMINLW 2021/05/18		
DIVISIONAL SYMBOLS	mm INCH		CHK'D: RSTONE 2022/03/09		
	3 PLACES ±--- ±---		APPR: BWOODMAN 2022/03/11		
	2 PLACES ±--- ±---		INITIAL REVISION:		
	1 PLACE ±--- ±---		DRWN: TWOLDEGE 2009/07/29		
0 PLACES ±--- ±---		APPR: JFMURPHY 2009/08/10			
ANGULAR TOL ± --- °		THIRD ANGLE PROJECTION			
DRAFT WHERE APPLICABLE MUST REMAIN WITHIN DIMENSIONS		DRAWING C-SIZE		SERIES 130006	DOCUMENT NUMBER SD-130006-016
		MATERIAL NUMBER SEE CHART		CUSTOMER GENERAL MARKET	DOC TYPE/DOC PART REVISION PSD 001 B
				SHEET NUMBER 1 OF 1	