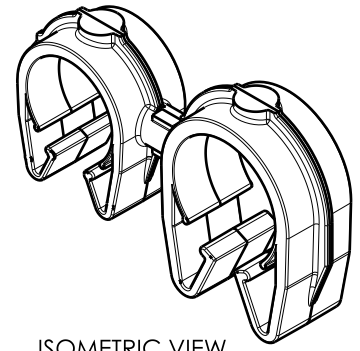
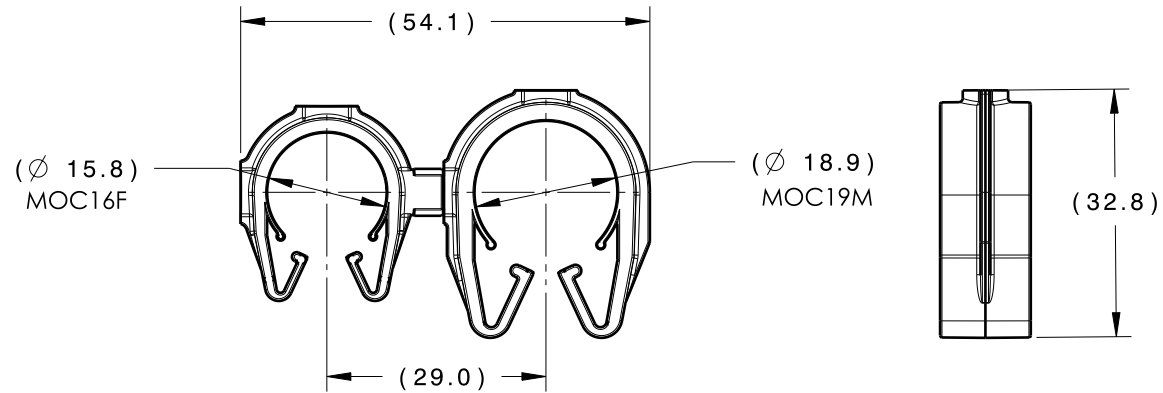
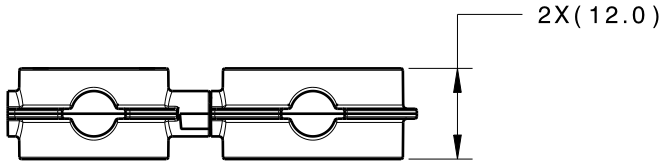
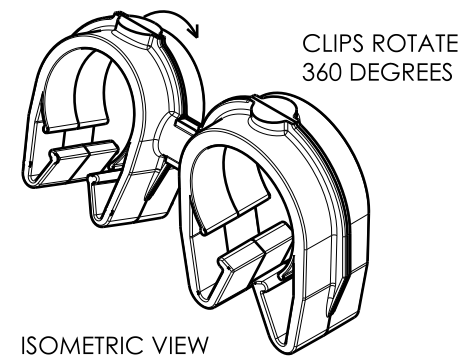


Revision Level			Revision Record	Changed	Date	Approved	Date
Drawing	State	Part					
01.2	DESIGN RELEASE		SEE ECN# 014444	JMC	04/26/18	EJH	04/26/18



ISOMETRIC VIEW




CLIPS ROTATE 360 DEGREES

ISOMETRIC VIEW ROTATED

TYPE	MOC16F	MOC19M
HARNESS	14.0MM-17.0MM	17.0MM-20.0MM
HOSE	14.0MM-17.0MM	17.0MM-20.0MM
HARD PIPE/TUBE	15.9MM-18.3MM	19.0MM-21.8MM

*RECOMMENDED SIZES MAY DIFFER DEPENDING ON THE APPLICATION, PRODUCT REQUIREMENTS AND MATERIALS USED

PATENT PENDING 29/582.271

GLOBAL PART DESCRIPTION 	MOC16F**			MOC19M**		
	DRAWING	MATERIAL	COLOR	DRAWING	MATERIAL	COLOR
MOC16FMOC19M-PA66HIRHSUV-BK	16-0321-000-CSU	PA66HIRHSUV	BLACK	16-0322-000-CSU	PA66HIRHSUV	BLACK

Material SEE CHART COLOR: SEE CHART	Units	millimeters	The copyright of this drawing is reserved by HellermannTyton. It is issued on condition that it is not reproduced, copied or disclosed to a third party, either wholly or in part, without the consent of HellermannTyton.	Drawn	TAT	2/22/17	Article/Type-No	MOC16FMOC19M		Scale	1:1	
	Tolerance defined on each dimension	Approved		EJH	2/28/17			Title			Project Number	
		HellermannTyton						16MM MOC COUPLED TO A 19MM MOC		16-0326		
		North America Email: corp@htamericas.com Web: www.hellermann.tyton.com						Drawing-No	PRODUCTION : Phase	Format	AH	
						16-0326-561-CSU 			Sheet	1/1		