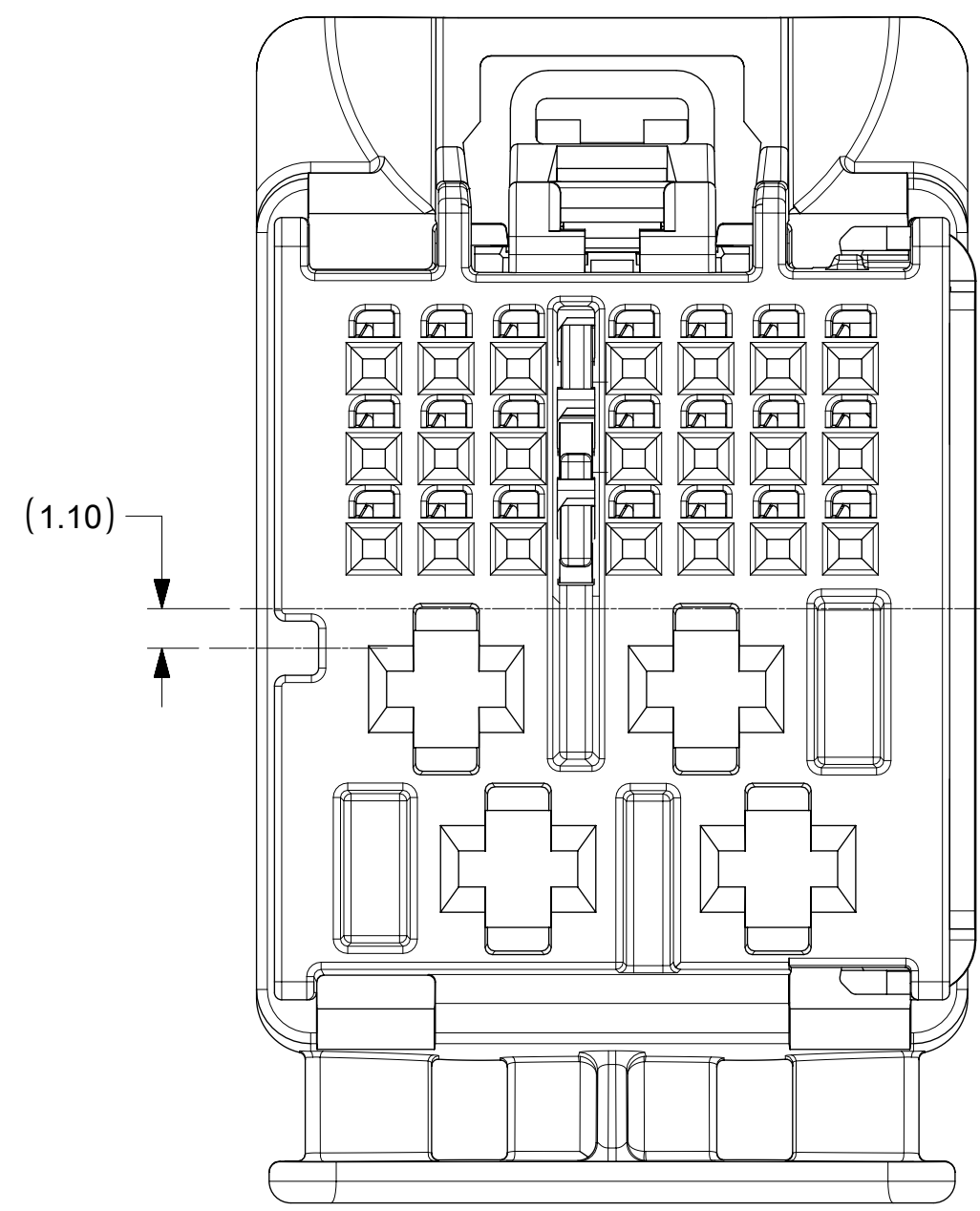
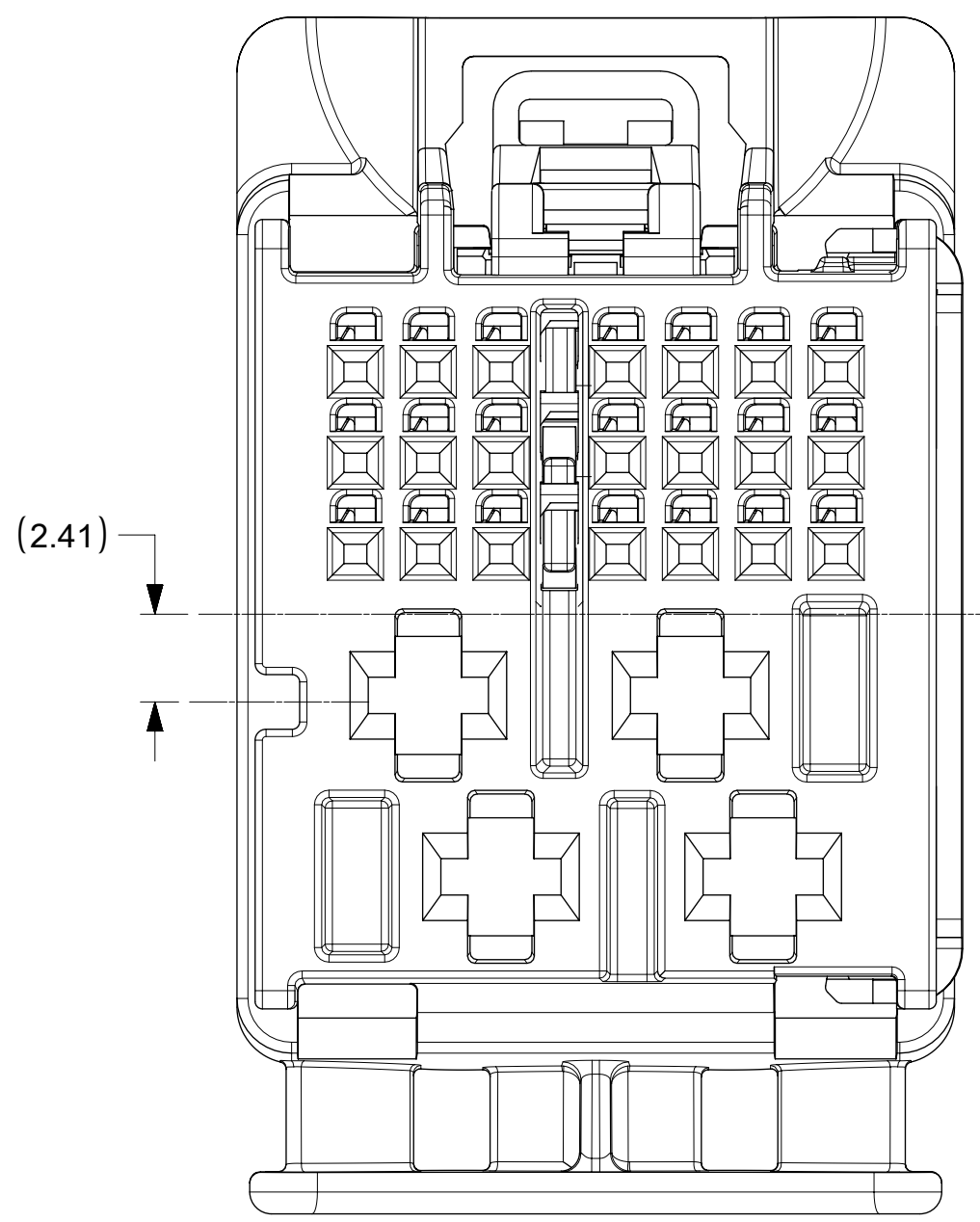


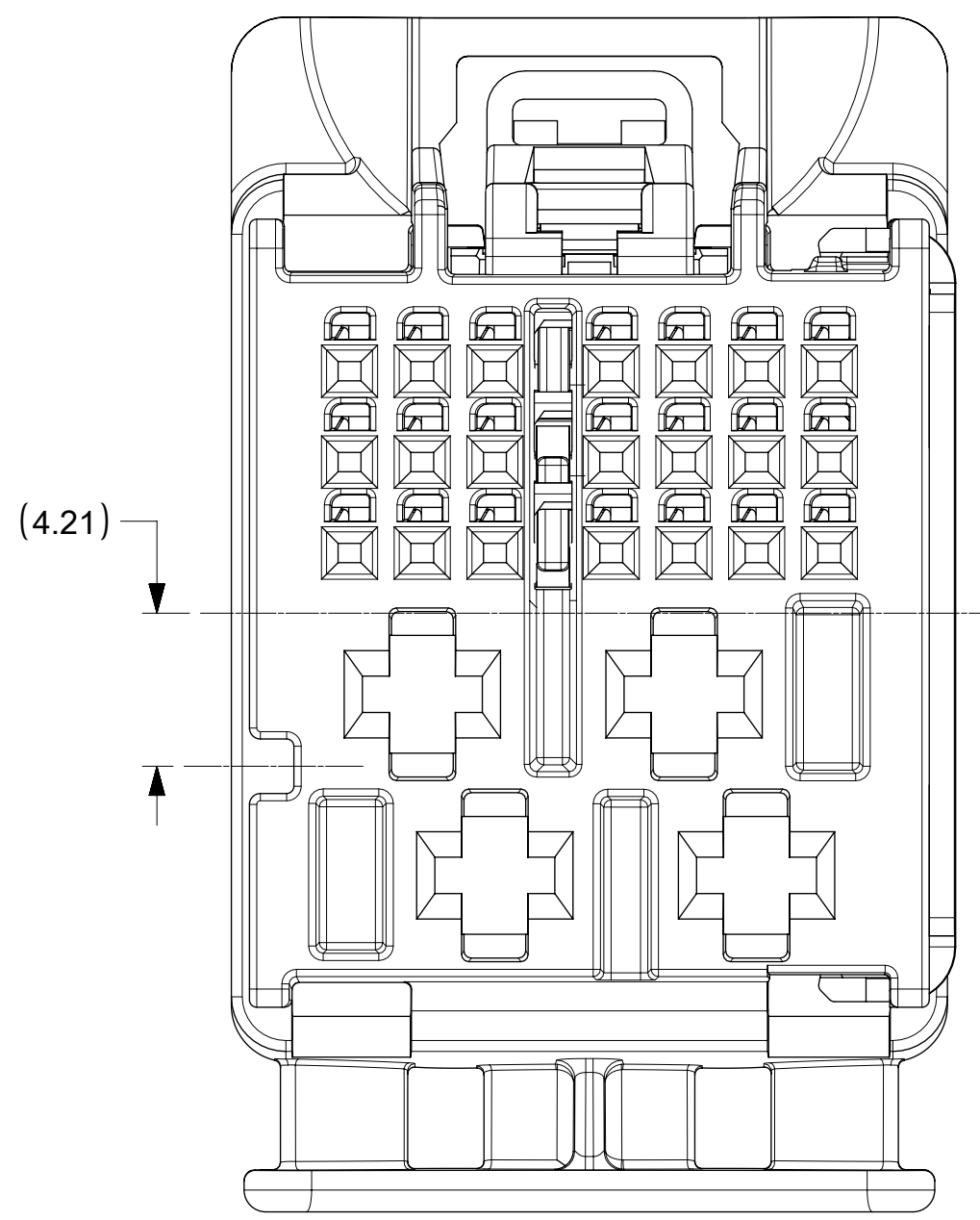
25WAY CONNECTOR ASSEMBLY
KEY 1 & KEY 5



25WAY CONNECTOR ASSEMBLY
KEY 2 & KEY 6



25WAY CONNECTOR ASSEMBLY
KEY 3 & KEY 7



25WAY CONNECTOR ASSEMBLY
KEY 4 & KEY 8

NOTES: VALID UNLESS OTHERWISE SPECIFIED

1. GENERAL:
 - a. APPLICATION SPECIFICATION SEE: AS-160014-001
 - b. PRODUCT SPECIFICATION SEE: PS-160014-001
 - c. PACKAGING SPECIFICATION PER MOLEX DRAWING: PK-31302-266
 - d. PARTS MUST BE IN COMPLIANCE TO MOLEX CHEMICAL SUBSTANCES FOR PRODUCTS AND PACKAGING SPECIFICATION: ES-40000-5016
 - e. DATA MUST BE SUBMITTED UNDER THE MOLEX PART NUMBER TO IMDS (COMPANY ID#13255)

2. DESIGN - MATERIALS:
 - a. SEE BOM TABLE

3. DESIGN - GEOMETRY:
 - a. ALL GRAPHIC DATA IS BASIC (NO TOLERANCE) AND MUST BE TAKEN FROM THE DATA FILE AT ITS LATEST REVISION.
 - b. PRODUCT DESIGN MODEL NUMBER(S): SEE BOM TABLE
 - c. GEOMETRIC DIMENSIONS AND TOLERANCES PER ASME Y14.5M-2009
 - d. EDGES AND UNDIMENSIONED DETAILS PER ISO13715
 - e. CORNERS SHOWN AS SHARP TO BE R 0.2 MAX.
 - f. MARKED TEXT TO INCLUDE RECYCLING CODE, CAVITY ID, VENDOR IDENTIFICATION AND CUSTOMER MATERIAL NUMBER.
 1. LASER ETCHED DATE CODE
 - 1ST THROUGH 2ND DIGIT = CALENDAR YEAR
 - 3RD THROUGH 5TH DIGIT = "DAY #" OF YEAR
 - 6TH THROUGH 7TH DIGIT = HOUR OF DAY
 - 8TH THROUGH 9TH DIGIT = MINUTE OF HOUR
 - 10TH THROUGH 11TH DIGIT = SECOND OF MINUTE

4. DESIGN - MANUFACTURING:
 - a. VISUAL DEFECTS SHALL MEET COSMETIC STANDARD PS-45499-002 (Class B)

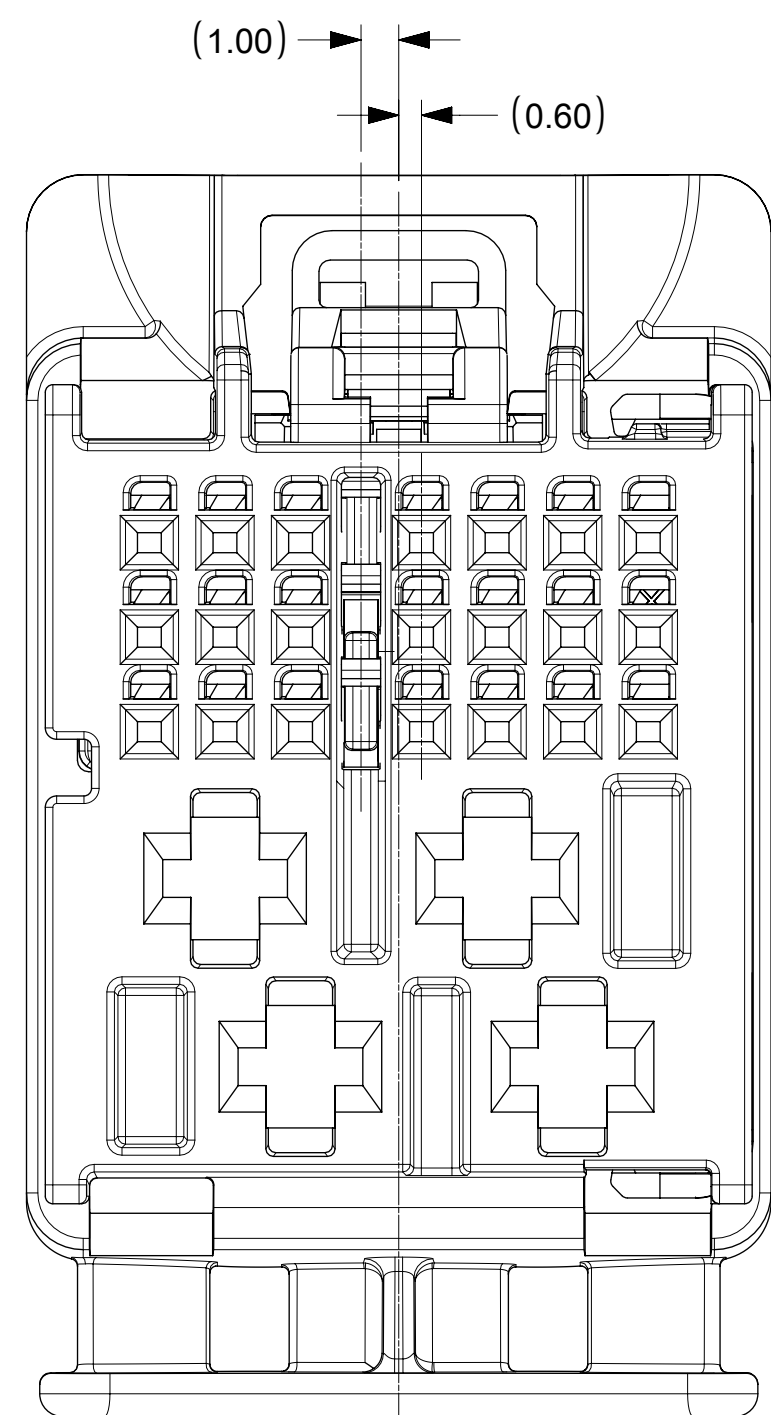
PART NUMBER	PLATING	SUPPLIER	WIRE GAGE (mm2)	TERMINAL FAMILY	WIRE SPECIFICATION
200096-0101	TIN PLATING	MOLEX	0.35	TAK FAMILY (0.5 mm)	VW 60306 OR GMW 15626 (SEE APPLICATION SPECIFICATION FOR MORE DETAILS)
200096-0201	TIN PLATING	MOLEX	0.13	TAK FAMILY (0.5 mm)	
2272196-2	TIN PLATING	TE	0.35	Generation 50 Locking Lance (0.5mm)	SAE/ J1128 THIN WALL INSULATION
2272196-1	TIN PLATING	TE	0.13	Generation 50 Locking Lance (0.5mm)	
1-968851-1	TIN PLATING	TE	1.0 - 2.5	AMP MCP 2.8	GMW 15626 INSULATION TYPE FLR (REGULAR THIN WALL)
1-968849-1	TIN PLATING	TE	0.5 - 1.0	AMP MCP 2.8	
15457849	TIN PLATING	DELPHI	1.5 - 2.5	CTS 2.8mm	
15457848	TIN PLATING	DELPHI	0.5 - 1.0	CTS 2.8mm	

ITEM	DESCRIPTION	COLOR	RECYCLING CODE	WEIGHT (GRAMS)	RIB OPTION	NO OF ITEMS REQUIRED																	
1	OUTER SHROUD - KEY 1	LIGHT GREEN B	SPS/PA66-GF20	4.1	A	1																	
2	OUTER SHROUD - KEY 2	STONE GRAY	SPS/PA66-GF20	4.1	A		1																
3	OUTER SHROUD - KEY 3	BLACK	SPS/PA66-GF20	4.1	A			1															
4	OUTER SHROUD - KEY 4	DARK GRAY	SPS/PA66-GF20	4.1	A				1														
5	OUTER SHROUD - KEY 5	DK PURPLE A	SPS/PA66-GF20	4.1	B					1													
6	OUTER SHROUD - KEY 6	TBD	SPS/PA66-GF20	4.1	B						1												
7	OUTER SHROUD - KEY 7	TBD	SPS/PA66-GF20	4.1	B							1											
8	OUTER SHROUD - KEY 8	LT GRAY	SPS/PA66-GF20	4.1	B								1										
9	ISL	NATURAL	SPS-GF30	0.37	N/A	1	1	1	1	1	1	1	1	1	1	1	1	1	1	1	1	1	1
10	CPA	NATURAL	PA66-GF50	0.08	N/A	1	1	1	1	1	1	1	1	1	1	1	1	1	1	1	1	1	1
11	INNER HOUSING	STONE GRAY	SPS/PA66-GF20	1.04	N/A	1	1	1	1	1	1	1	1	1	1	1	1	1	1	1	1	1	1
12	INNER HOUSING	STONE GRAY	SPS/PA66-GF20	1.04	N/A																		

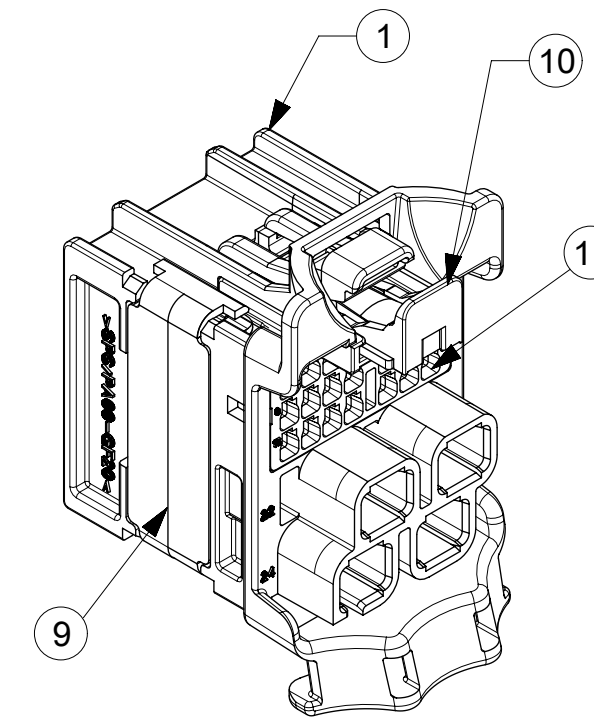
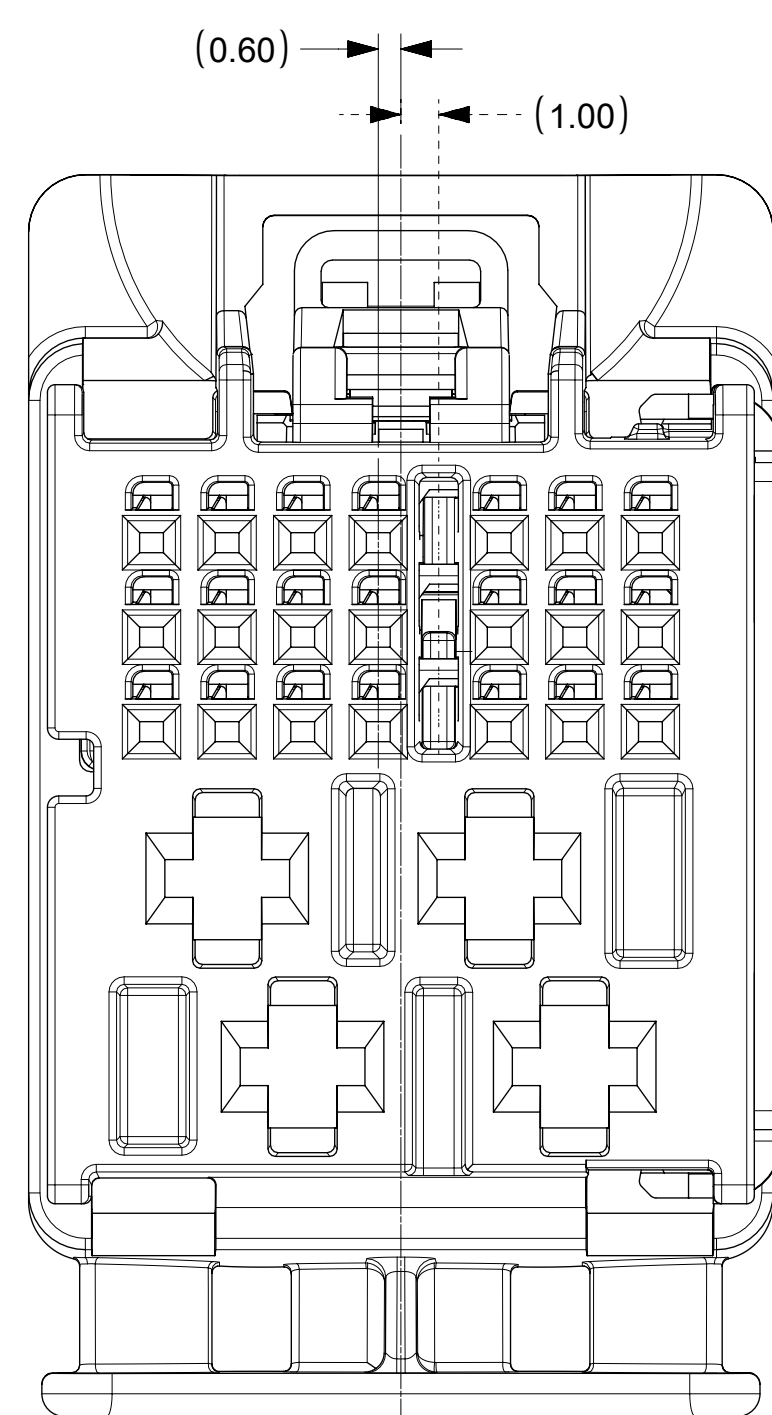
O= OBSOLETE

MOLEX ASSEMBLY PART NO.'S		
1600270001	O	KEY 1
1600270002	O	KEY 2
1600270003	O	KEY 3
1600270004	O	KEY 4
1600270005	O	KEY 5
1600270006		KEY 6
1600270007		KEY 7
1600270008	O	KEY 8

RIB OPTION A



RIB OPTION B



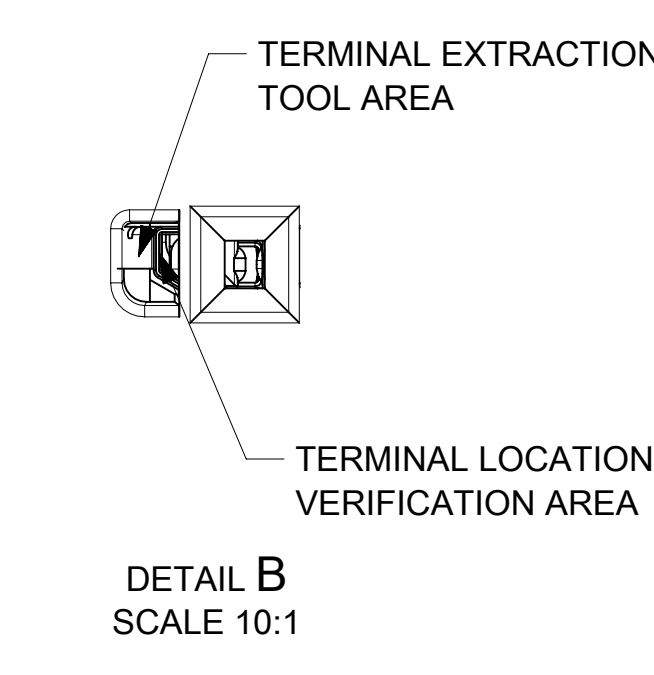
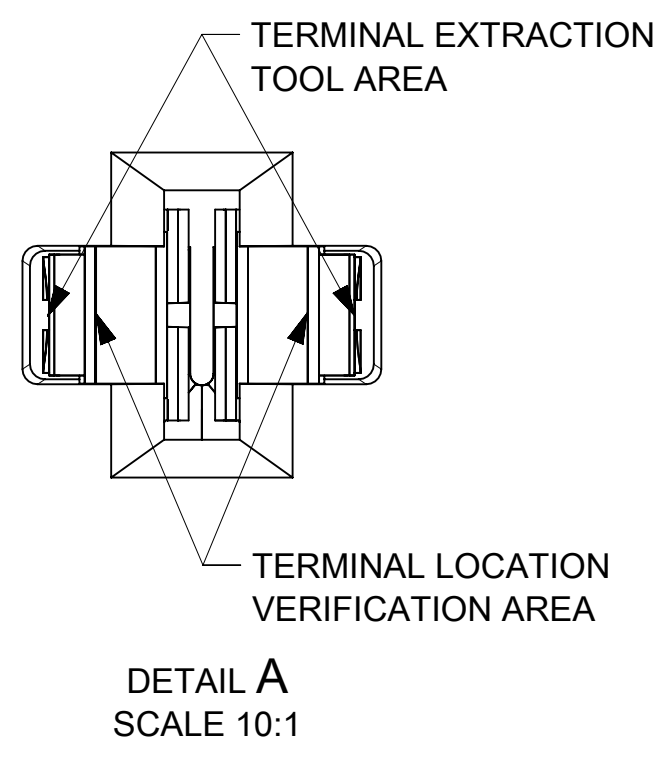
FUNCTIONAL SYMBOLS FA = 0 FE = 0 FP = 0	THIS DRAWING CONTAINS INFORMATION THAT IS PROPRIETARY TO MOLEX ELECTRONIC TECHNOLOGIES, LLC AND SHOULD NOT BE USED WITHOUT WRITTEN PERMISSION		CURRENT REV DESC: OBSOLETE PART NUMBERS	
	DIMENSION UNITS: mm	SCALE: 5:1		
DIVISIONAL SYMBOLS	GENERAL TOLERANCES (UNLESS SPECIFIED)		EC NO: 642310	
	ANGULAR TOL ± 3.0°		DRWN: AKUMAR19 2020/07/27	
	4 PLACES ±	CHK'D: GGA 2020/08/18		
	3 PLACES ±	APPR: GGA 2020/08/18		
	2 PLACES ± 0.3	INITIAL REVISION:		
1 PLACE ± 0.3	DRWN: VYARAPPA 2017/02/01		2017/03/23	
0 PLACES ± 0.3	APPR: KDEKOSKI			
DRAFT WHERE APPLICABLE MUST REMAIN WITHIN DIMENSIONS		THIRD ANGLE PROJECTION	DRAWING: D-SIZE	SERIES: 160027
DOCUMENT STATUS: P1		RELEASE DATE: 2020/08/18 05:47:16	MATERIAL NUMBER: SEE TABLE	
		CUSTOMER: GENERAL MARKET		SHEET NUMBER: 1 OF 2

molex

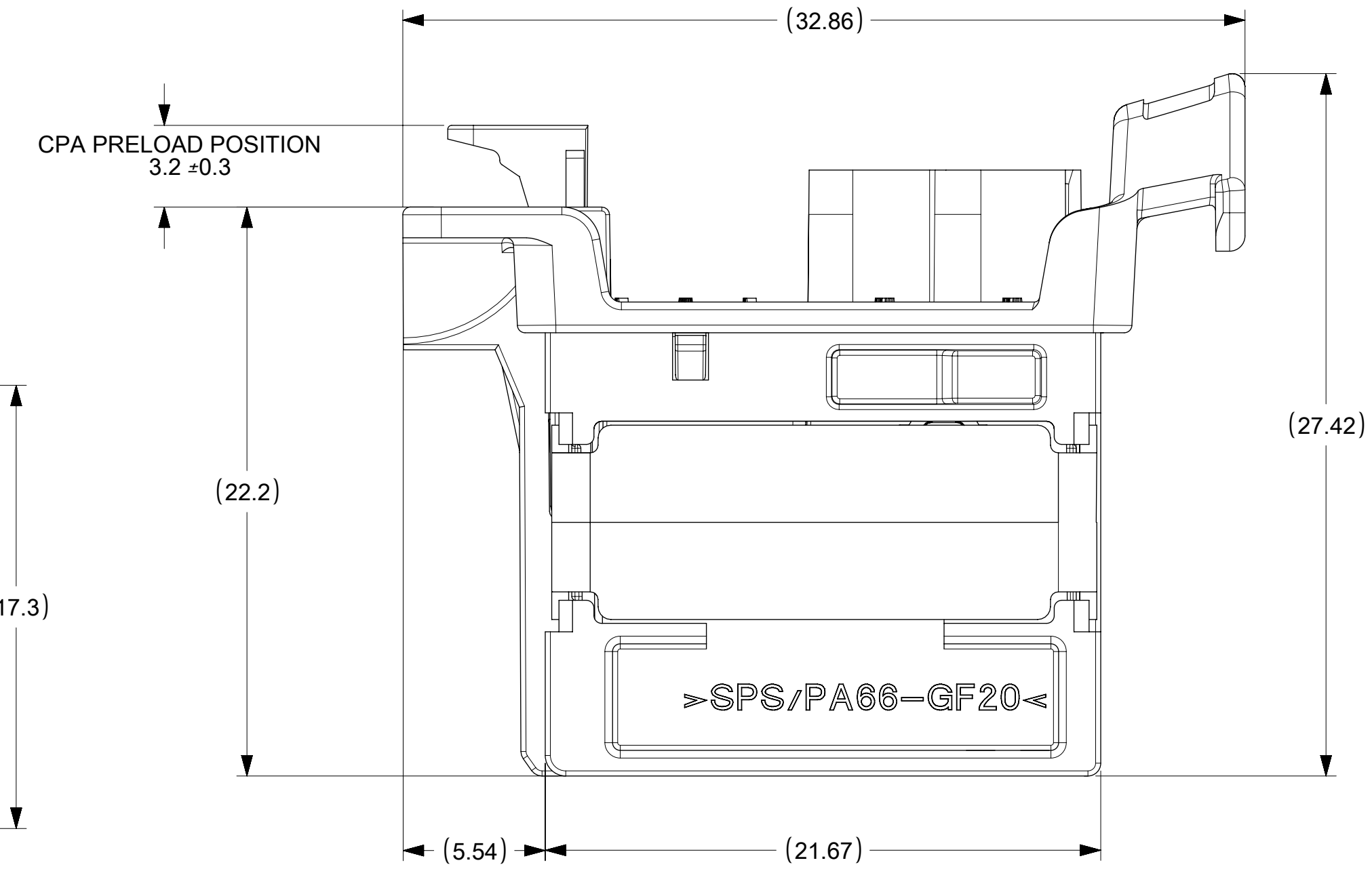
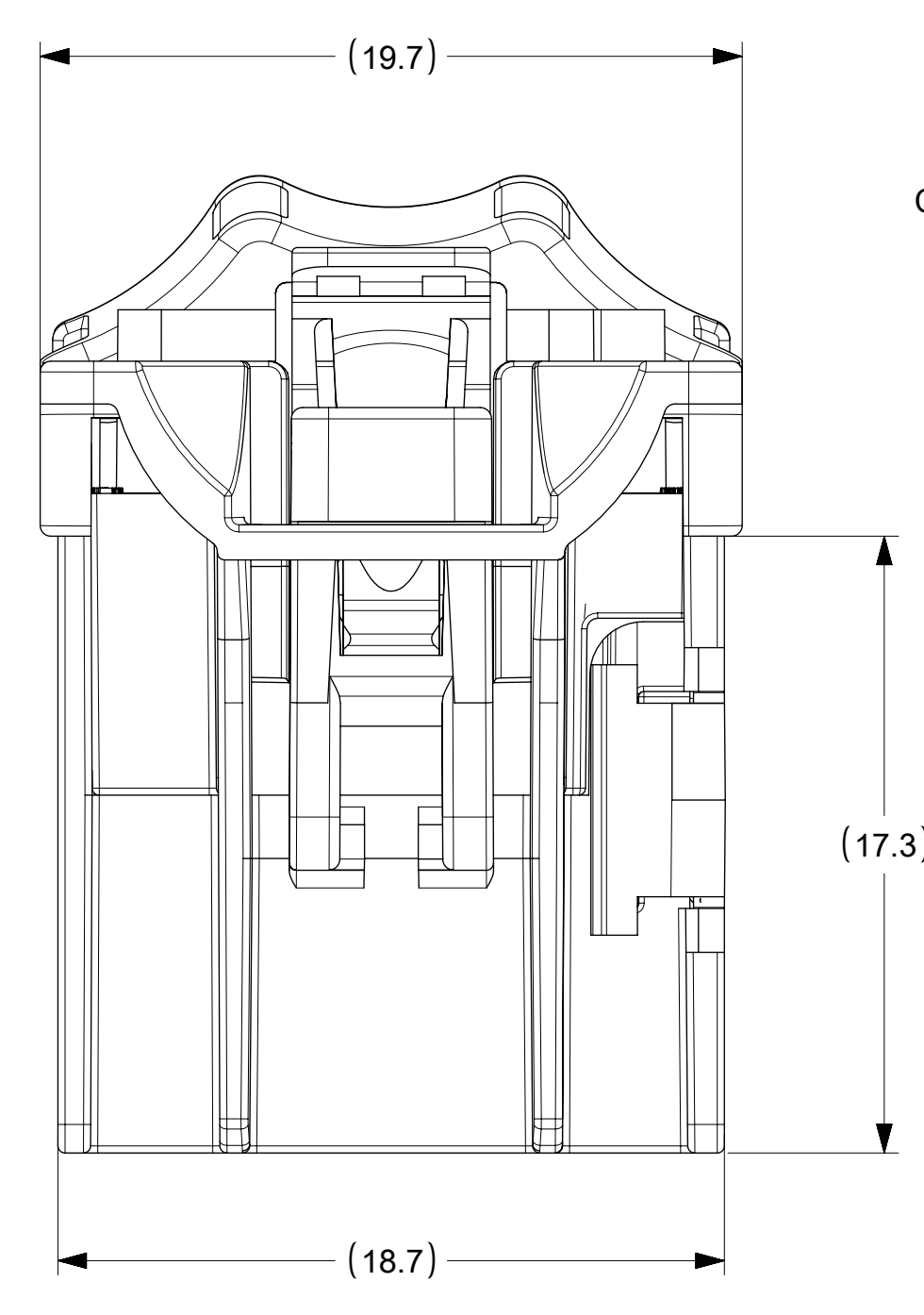
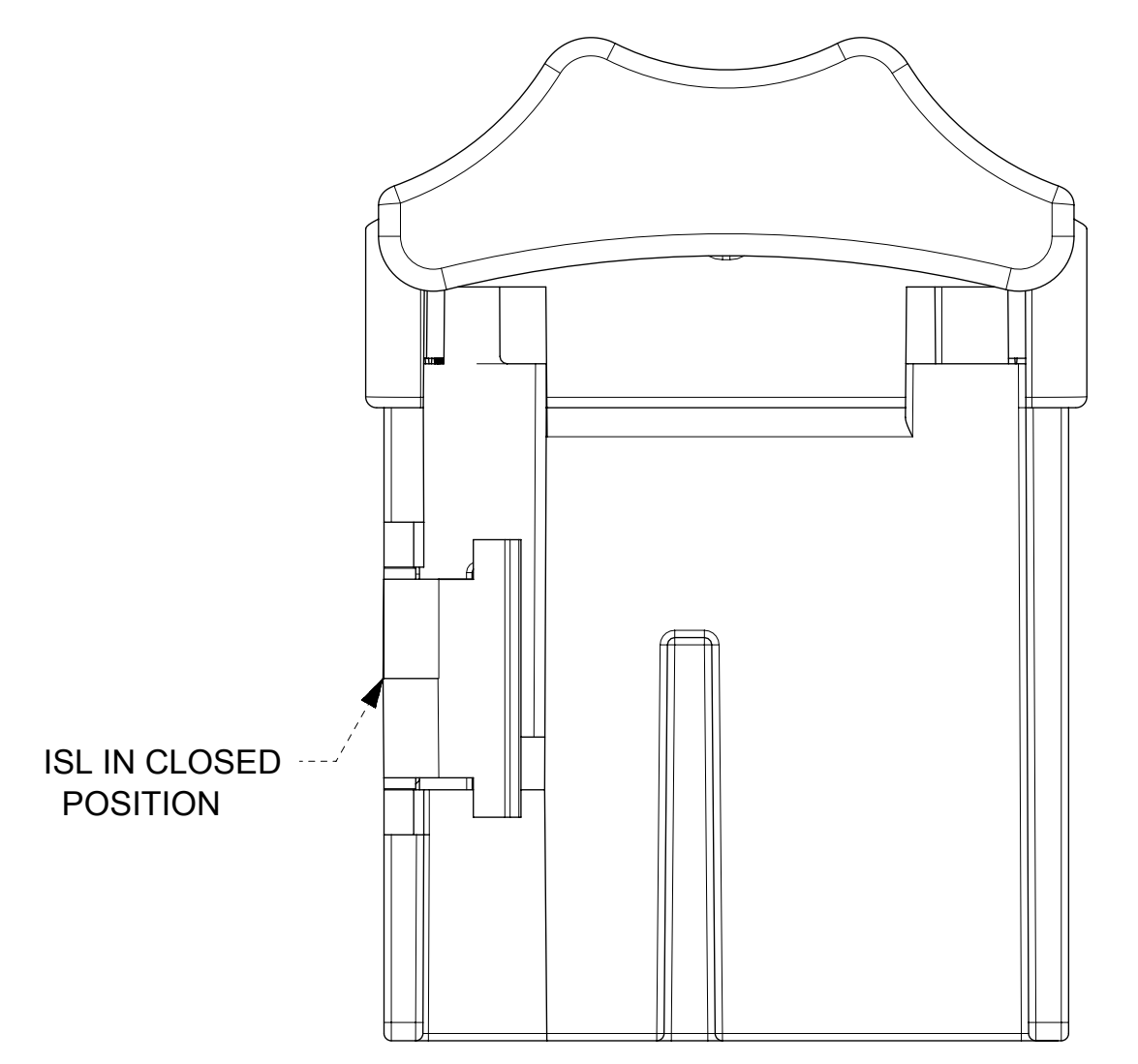
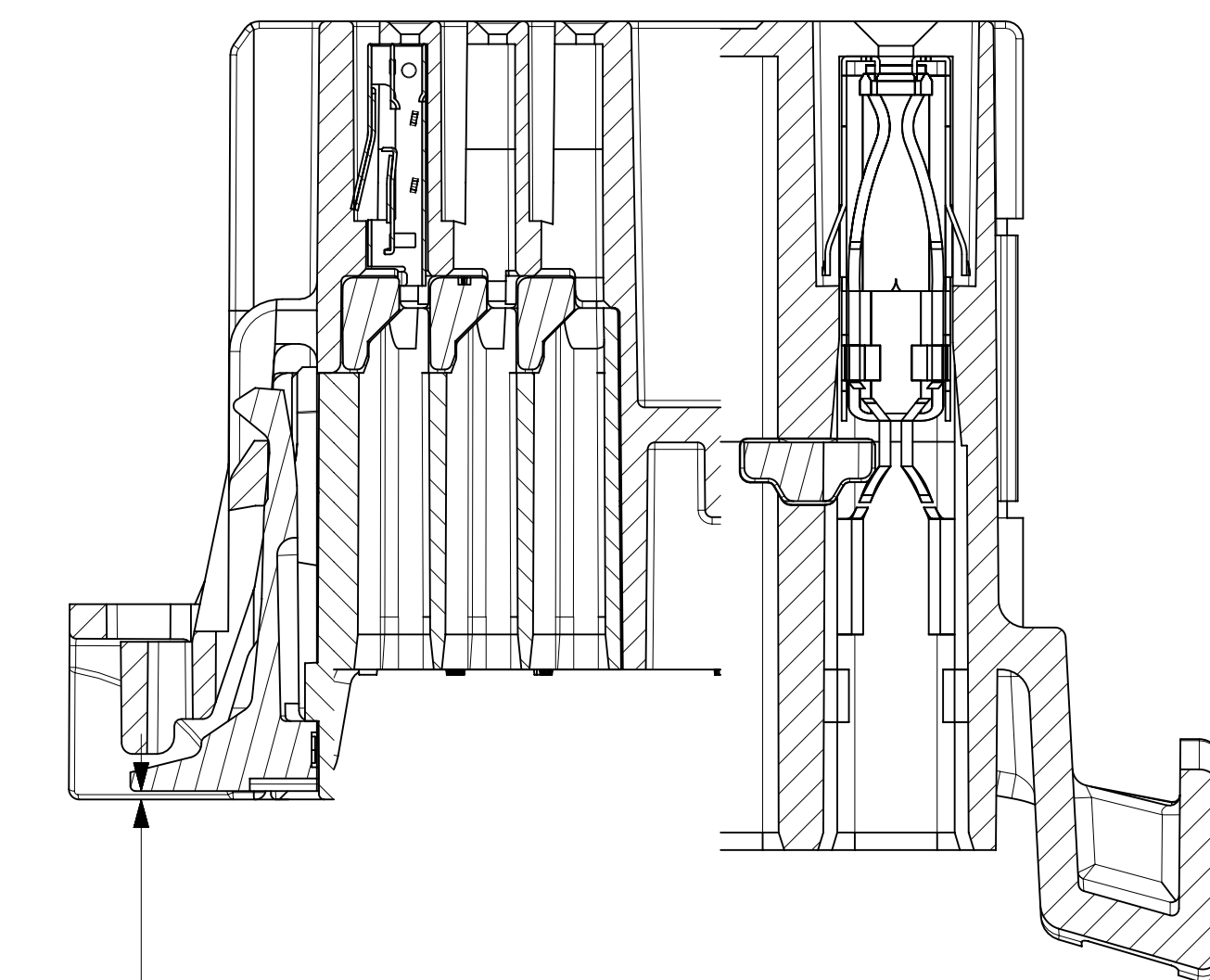
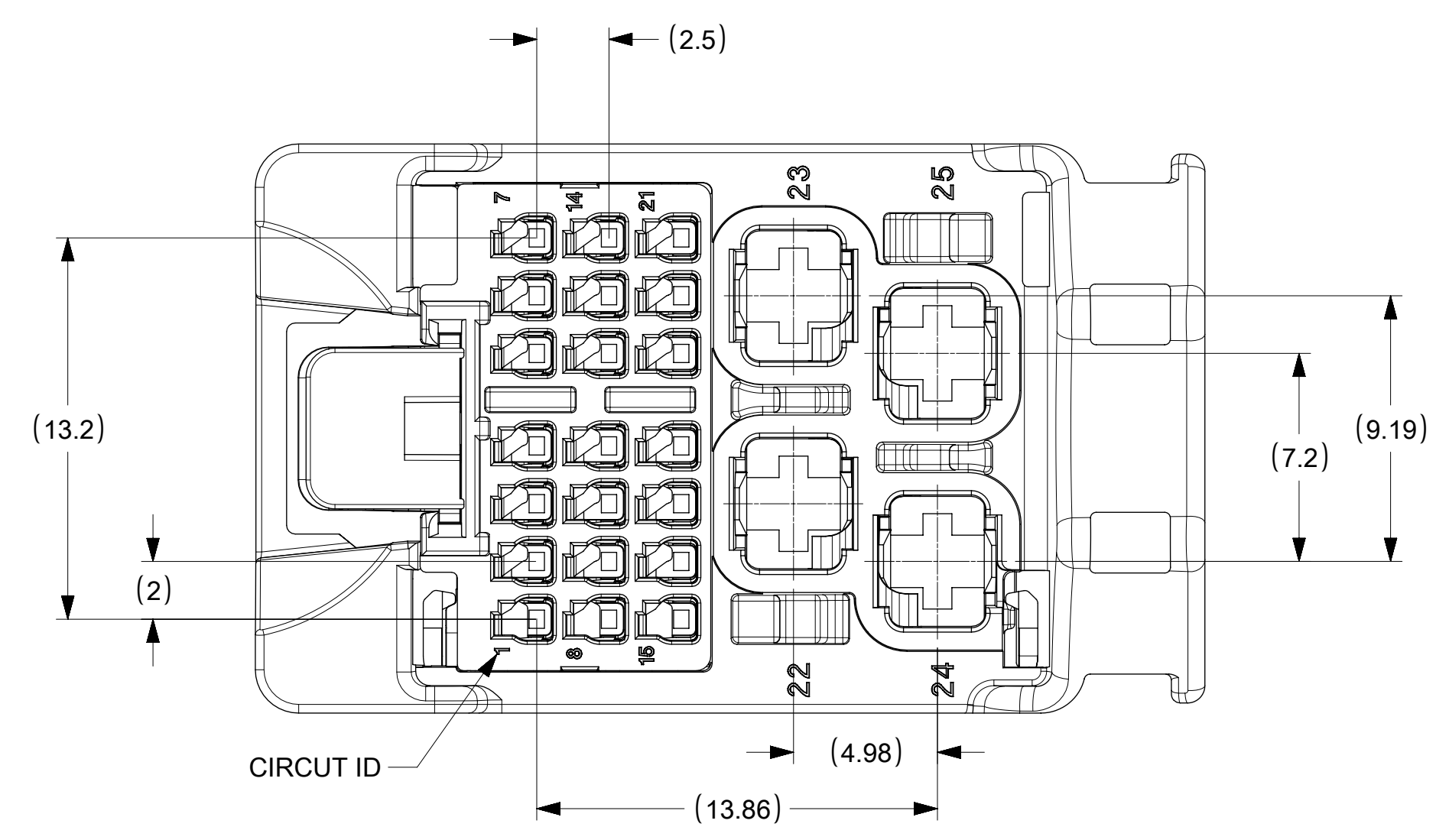
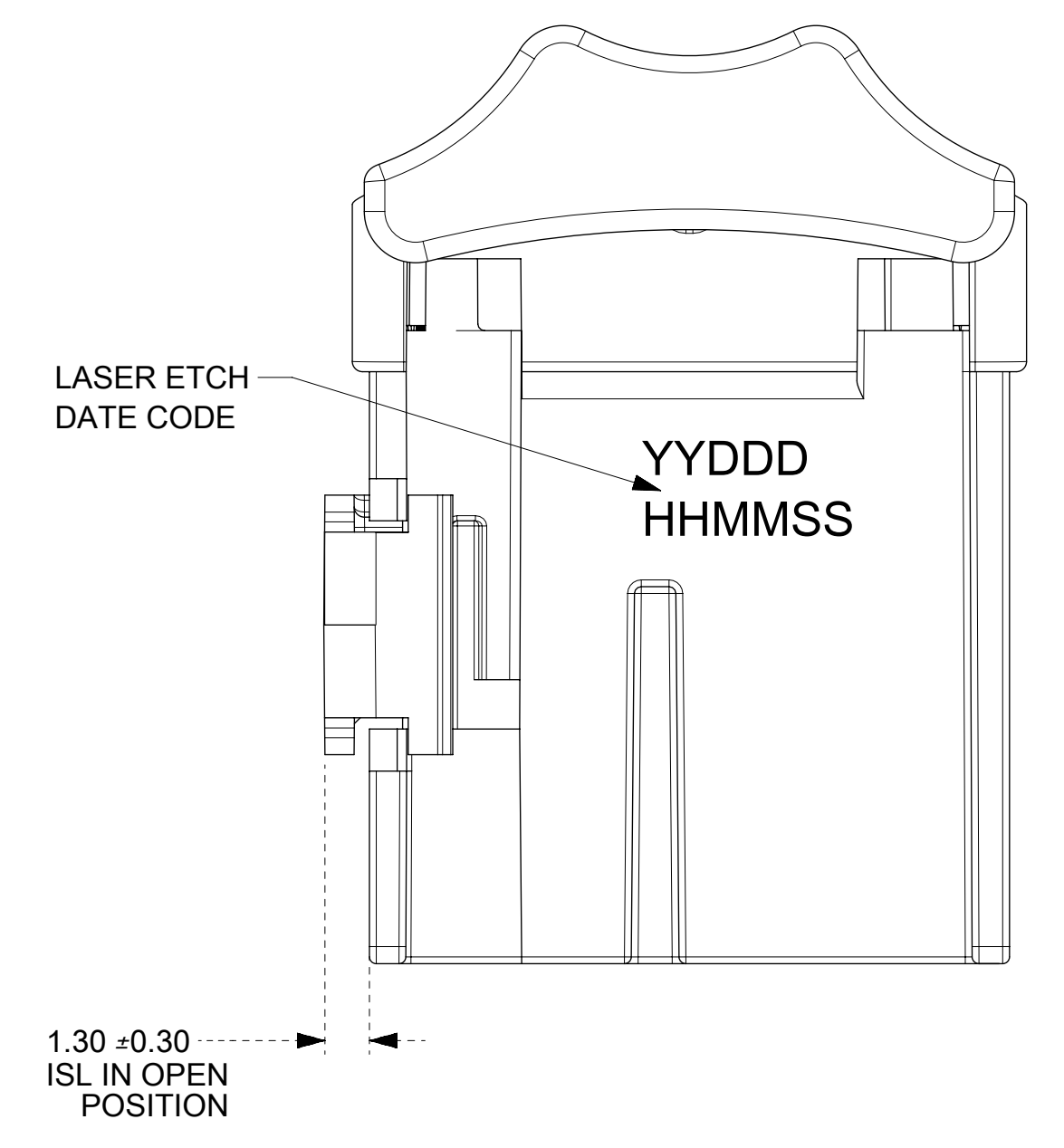
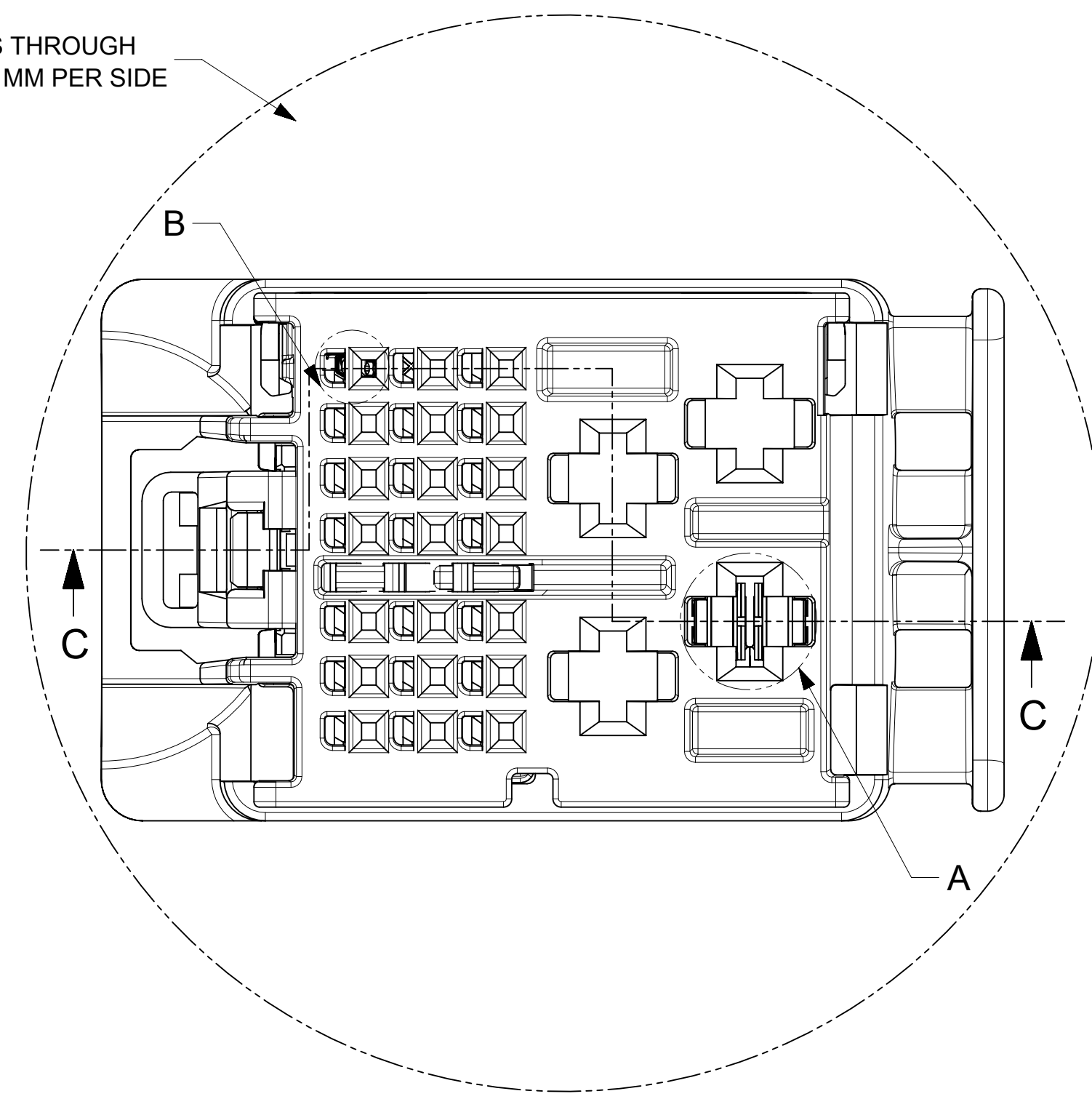
25WAY STAK50H HYBRID
CONNECTOR ASSEMBLY

PRODUCT CUSTOMER DRAWING

DOCUMENT NUMBER	DOC TYPE	DOC PART	REVISION
SD-160027-0001	PSD	000	C



(Ø39.16) PASS THROUGH
CLEARANCE 1MM PER SIDE



CPA FINAL POSITION
(0.24)
RECESSED

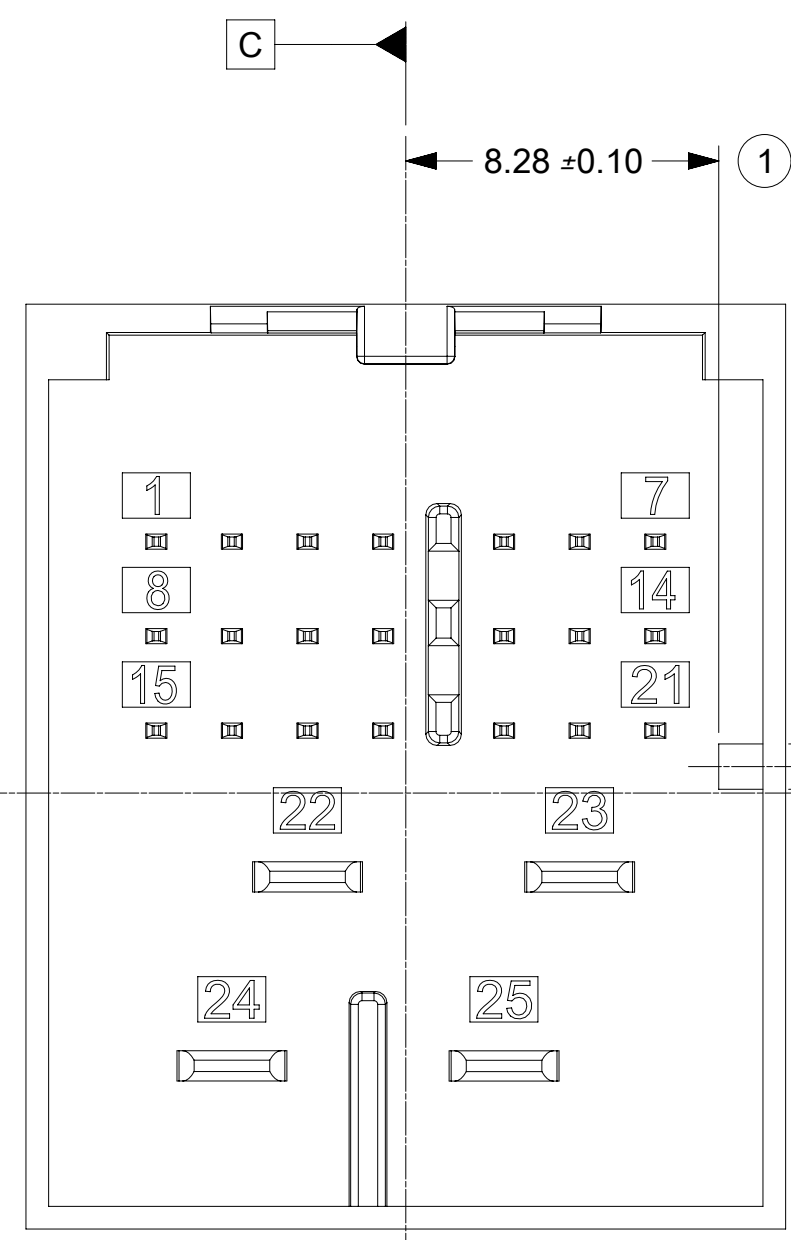
FUNCTIONAL SYMBOLS		THIS DRAWING CONTAINS INFORMATION THAT IS PROPRIETARY TO MOLEX ELECTRONIC TECHNOLOGIES, LLC AND SHOULD NOT BE USED WITHOUT WRITTEN PERMISSION		CURRENT REV DESC: OBSOLETE PART NUMBERS	
FA = 0	mm	SCALE	5:1		
FE = 0	GENERAL TOLERANCES (UNLESS SPECIFIED)				
FP = 0	ANGULAR TOL ± 3.0°				
DIVISIONAL SYMBOLS		4 PLACES	±	EC NO: 642310	
		3 PLACES	±	DRWN: AKUMAR19	2020/07/27
		2 PLACES	± 0.3	CHK'D: GGA	2020/08/18
		1 PLACE	± 0.3	APPR: GGA	2020/08/18
		0 PLACES	± 0.3	INITIAL REVISION:	
DRAFT WHERE APPLICABLE MUST REMAIN WITHIN DIMENSIONS		THIRD ANGLE PROJECTION		DRWN: VYARAPPA	2017/02/01
				APPR: KDEKOSKI	2017/03/23
		DRAWING	SERIES	MATERIAL NUMBER CUSTOMER SHEET NUMBER	
		D-SIZE	160027	SEE TABLE	GENERAL MARKET 2 OF 2

molex

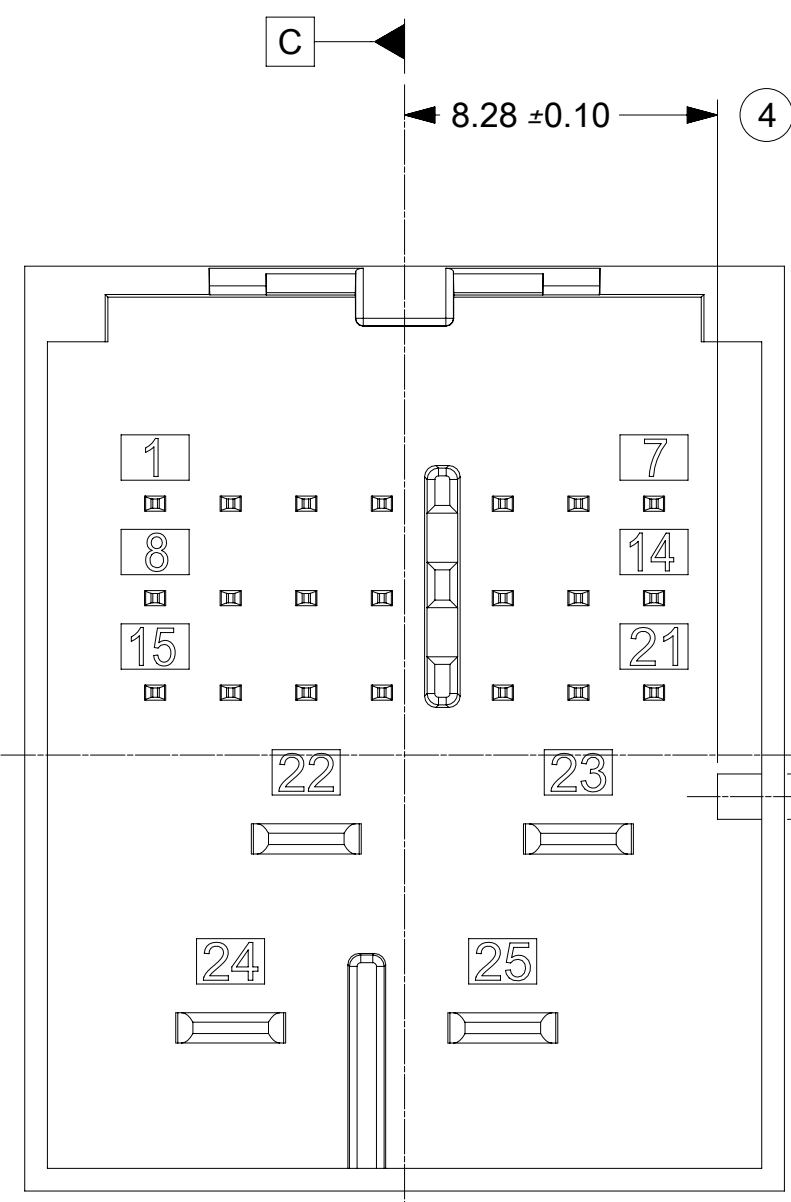
25WAY STAK50H HYBRID
CONNECTOR ASSEMBLY

PRODUCT CUSTOMER DRAWING

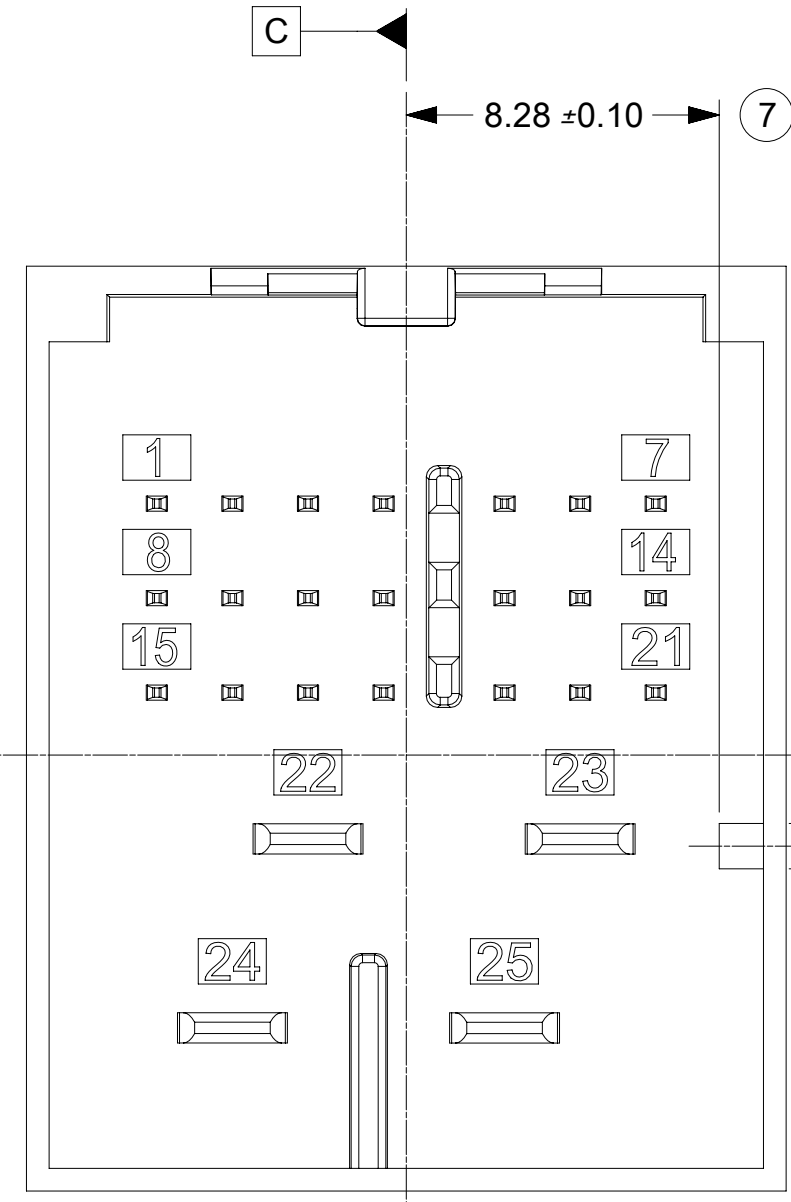
DOCUMENT NUMBER: SD-160027-0001
DOC TYPE: PSD
DOC PART: 000
REVISION: C



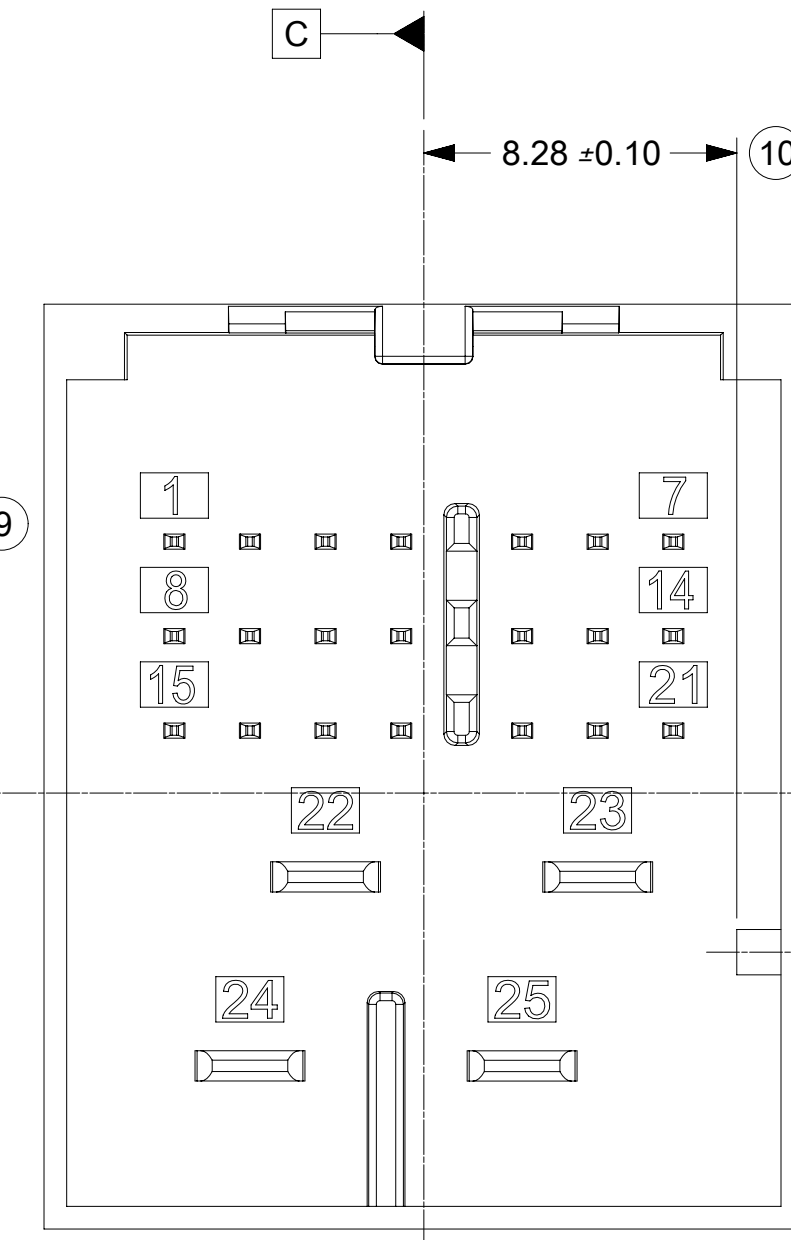
INTERFACE KEY 1 & KEY 5



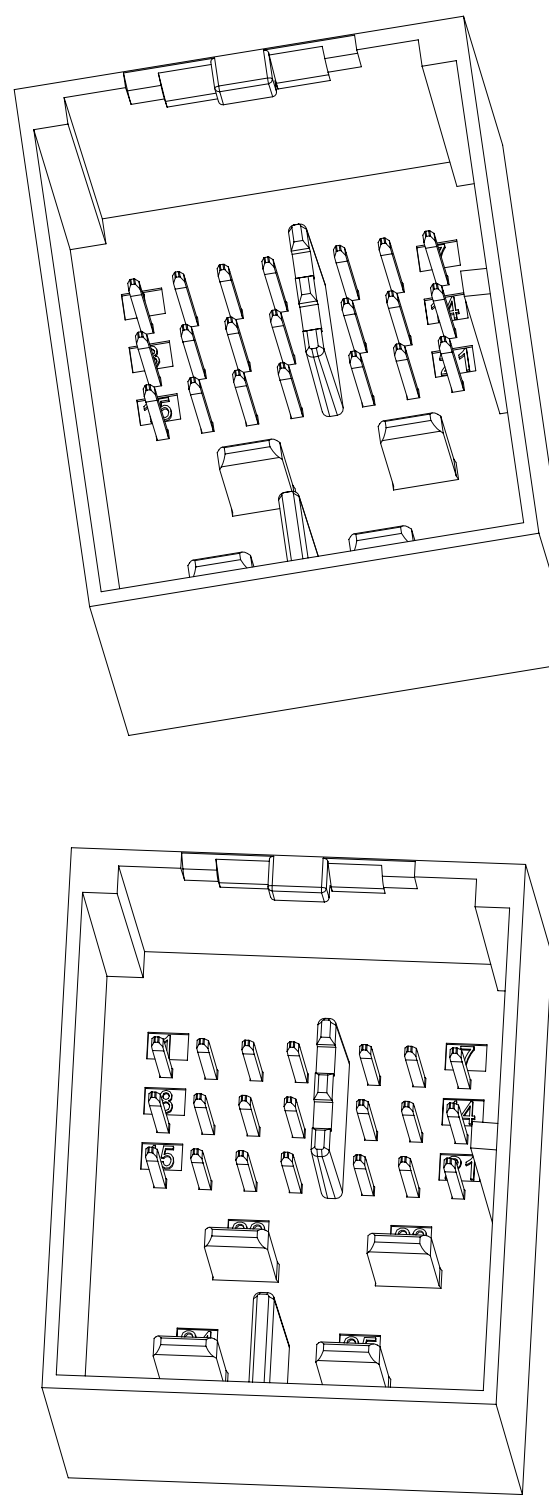
INTERFACE KEY 2 & KEY 6



INTERFACE KEY 3 & KEY 7



INTERFACE KEY 4 & KEY 8



INTERFACE OPTIONS		
KEY	RIB OPTION	MATING CONNECTOR COLOR
1	OPTION A	LIGHT GREEN B
2	OPTION A	STONE GRAY
3	OPTION A	BLACK
4	OPTION A	DARK GRAY
5	OPTION B	DARK PURPLE A
6	OPTION B	TBD
7	OPTION B	TBD
8	OPTION B	LIGHT GRAY

NOTES: VALID UNLESS OTHERWISE SPECIFIED

1. DESIGN - MATERIALS:

- a. RESIN MATERIAL : PBT+GF30 OR SPS+GF30 OR EQUIVALENT
- b. PIN/BLADE MATERIAL : ACCORDING TO USCAR DRAWING EWCAP-001 NOTE B2
- c. PLATING: ACCORDING TO USCAR DRAWING EWCAP-001 TIN REFLOW WITH UNDERPLATE
- d. PIN TIPS ACCORDING TO USCAR DRAWING EWCAP-001 (050-T001 & 280-T001)
- e. DEVIATION TO EWCAP-001 ACCEPTABLE IF PERFORMANCE (ELECTRICAL/MECHANICAL) IS SHOWN TO BE EQUAL OR BETTER AS REQUIRED BY VALIDATION TESTING.
- Ⓢ 1. DEVIATION TO TIN PLATING THICKNESS AS NECESSARY TO MEET MATING FORCE AND ALL VALIDATION REQUIREMENTS

2. DRAWING - GEOMETRY:

- a. ALL GRAPHIC DATA IS BASIC (NO TOLERANCE) AND MUST BE TAKEN FROM THE DATA FILE AT ITS LATEST REVISION.
- b. GEOMETRIC DIMENSIONS AND TOLERANCES PER ASME Y14.5M-2009.
- c. GENERAL TOLERANCES:
 LINEAR : PER DIN 16901 LINEAR CODE B FOR PRECISION ENGINEERING
 ANGULAR : ±3°
- d. EDGES AND UNDIMENSIONED DETAILS PER ISO13715
- e. CORNERS SHOW AS SHARP TO BE R 0.2 MAX.
- f. LETTERS SHALL BE 0.2 MAX RAISED IN 0.25 MAX RECESSED PAD.
 THIS INCLUDES RECYCLING CODE, CAVITY ID, VENDOR IDENTIFICATION, AND CUSTOMER MATERIAL NUMBER.

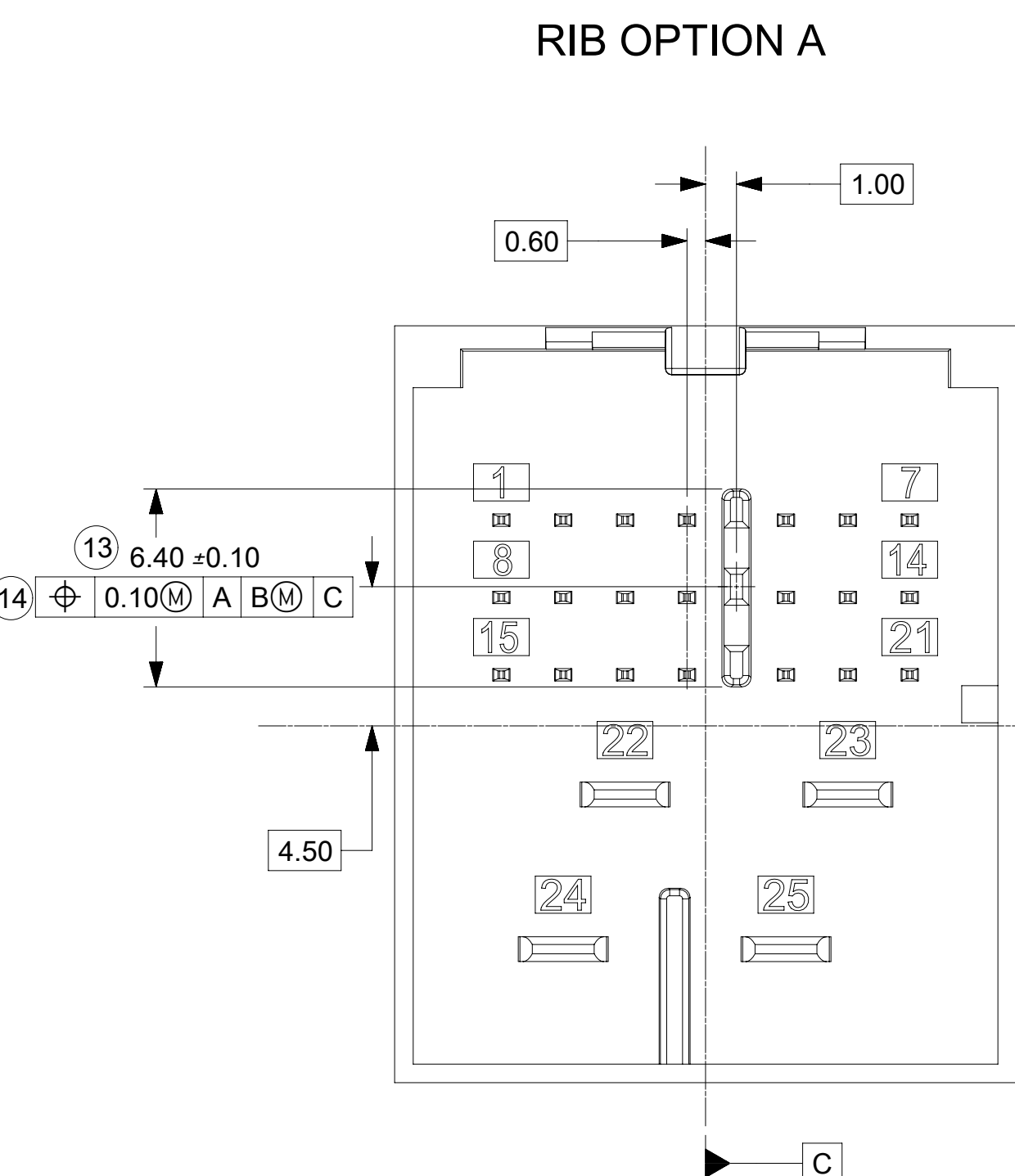
3. DESIGN - MANUFACTURING:

- a. DRAFT TO BE WITHIN TOLERANCE.

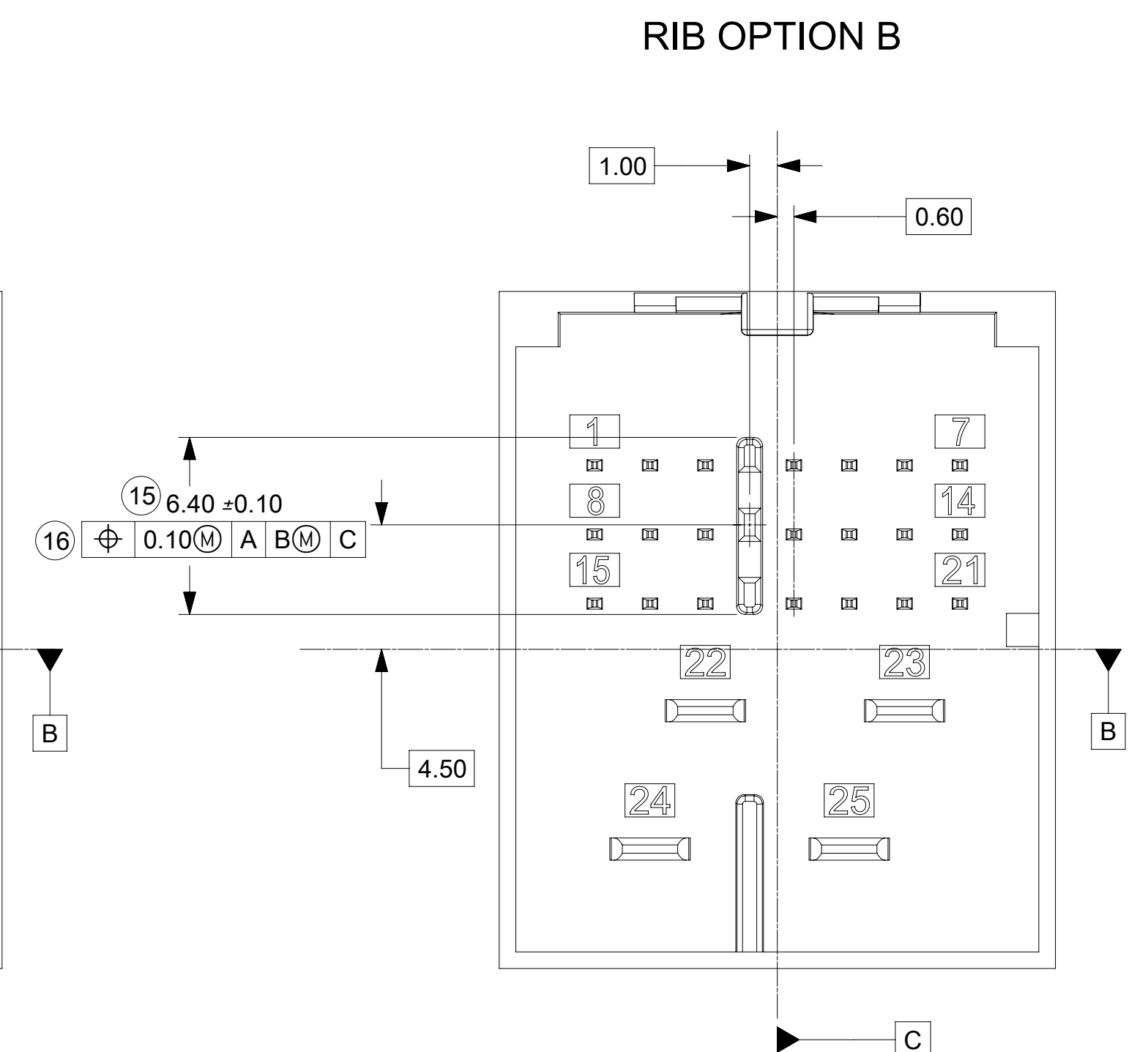
C1	UPDATED BASIC DIMENSIONS IN SECTION B-B ON SHEET 2 ECN: 649575 11/19/2020 YPENG47
C	ADDED 2.8MM BLADE LENGTH VARIANT FOR MATE FORCE REQUIREMENT ADDED NOTE 1.E.1 CHANGE RECORD: 626144 JPATE 10/22/2019
B1	ADDED BALLOONS JCONDON 08/02/2018
B	REMOVED 0.2MM FROM CONNECTOR LOCK TAB FEATURE
A2	ADDED CIRCUIT IDs
A1	ADDED NOTE 1e, MKOWALSKY 7/7/2017
8	GEOMETRY UPDATED , SPEMMARAJU 02/18/2016
7	UAU2016-1146 SAP # 10681629 JCONDON 03/25/2015

INSPECTION BALLOON NUMBER LOG	
PER DRAWING REVISION:	C1
LAST BALLOON NUMBER:	63
ADDED BALLOON NUMBER:	NONE
DELETED BALLOON NUMBER:	NONE

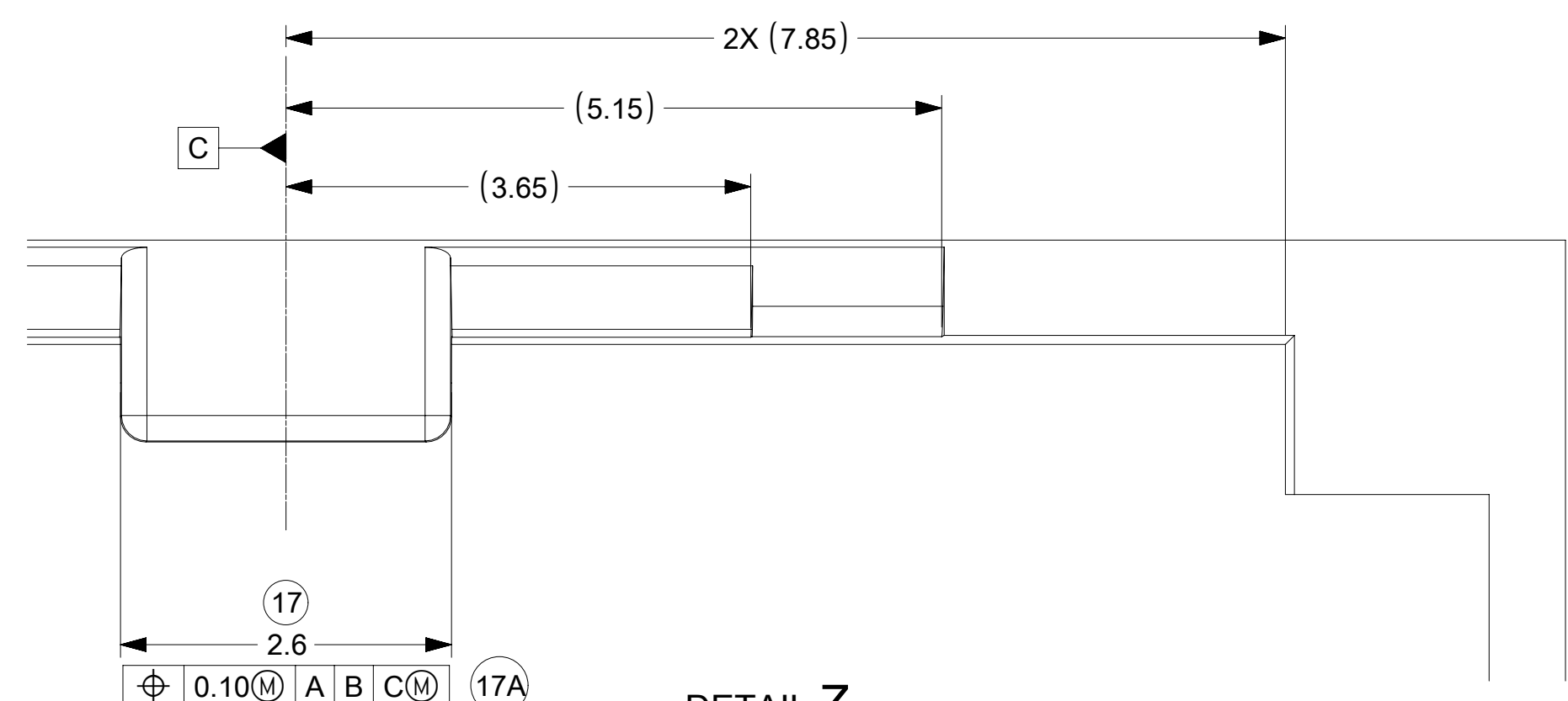
FUNCTIONAL SYMBOLS	THIS DRAWING CONTAINS INFORMATION THAT IS PROPRIETARY TO MOLEX ELECTRONIC TECHNOLOGIES, LLC AND SHOULD NOT BE USED WITHOUT WRITTEN PERMISSION
FA = 0	DIMENSION UNITS: mm SCALE: 5:1
FE = 0	GENERAL TOLERANCES (UNLESS SPECIFIED)
FP = 0	ANGULAR TOL ± °
DIVISIONAL SYMBOLS	4 PLACES ±
	3 PLACES ±
	2 PLACES ±
	1 PLACE ±
	0 PLACES ±
DRAFT WHERE APPLICABLE MUST REMAIN WITHIN DIMENSIONS	THIRD ANGLE PROJECTION
	DRAWING SERIES: D-SIZE 160027
	CURRENT REV DESC: UPDATED BASIC DIMENSIONS IN SECTION B-B ON SHEET 2
	EC NO: 649575
	DRWN: YPENG47 2020/11/19
	CHK'D: JRUTTER 2020/11/23
	APPR: MVANSLAMBROU 2020/11/25
	INITIAL REVISION:
	DRWN: SPEMMARAJU 2015/11/03
	APPR: KDEKOSKI 2016/03/24
	MATERIAL NUMBER: SD-160027-002
	CUSTOMER: GENERAL MARKET
	DOC TYPE: PSD
	DOC PART: 000
	REVISION: C1
	SHEET NUMBER: 1 OF 3



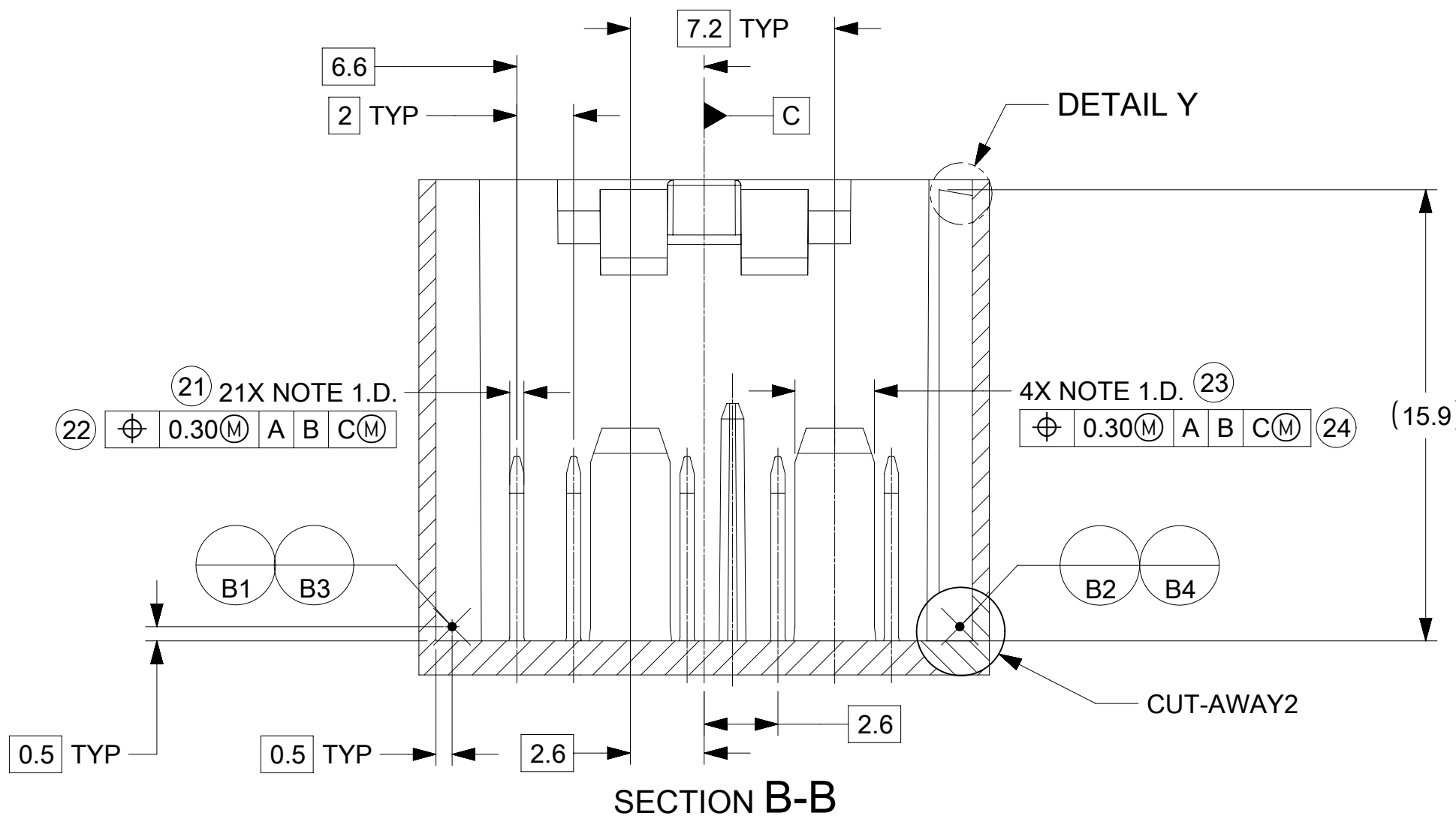
RIB OPTION A



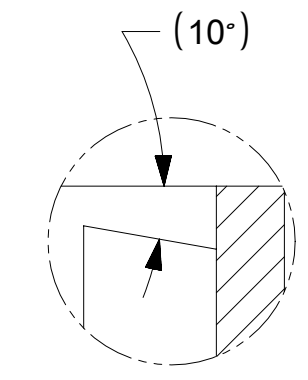
RIB OPTION B



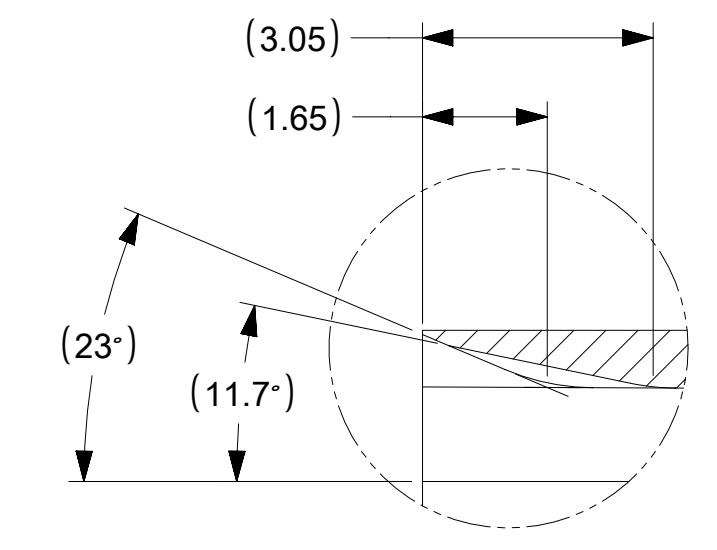
DETAIL Z
SCALE 20:1



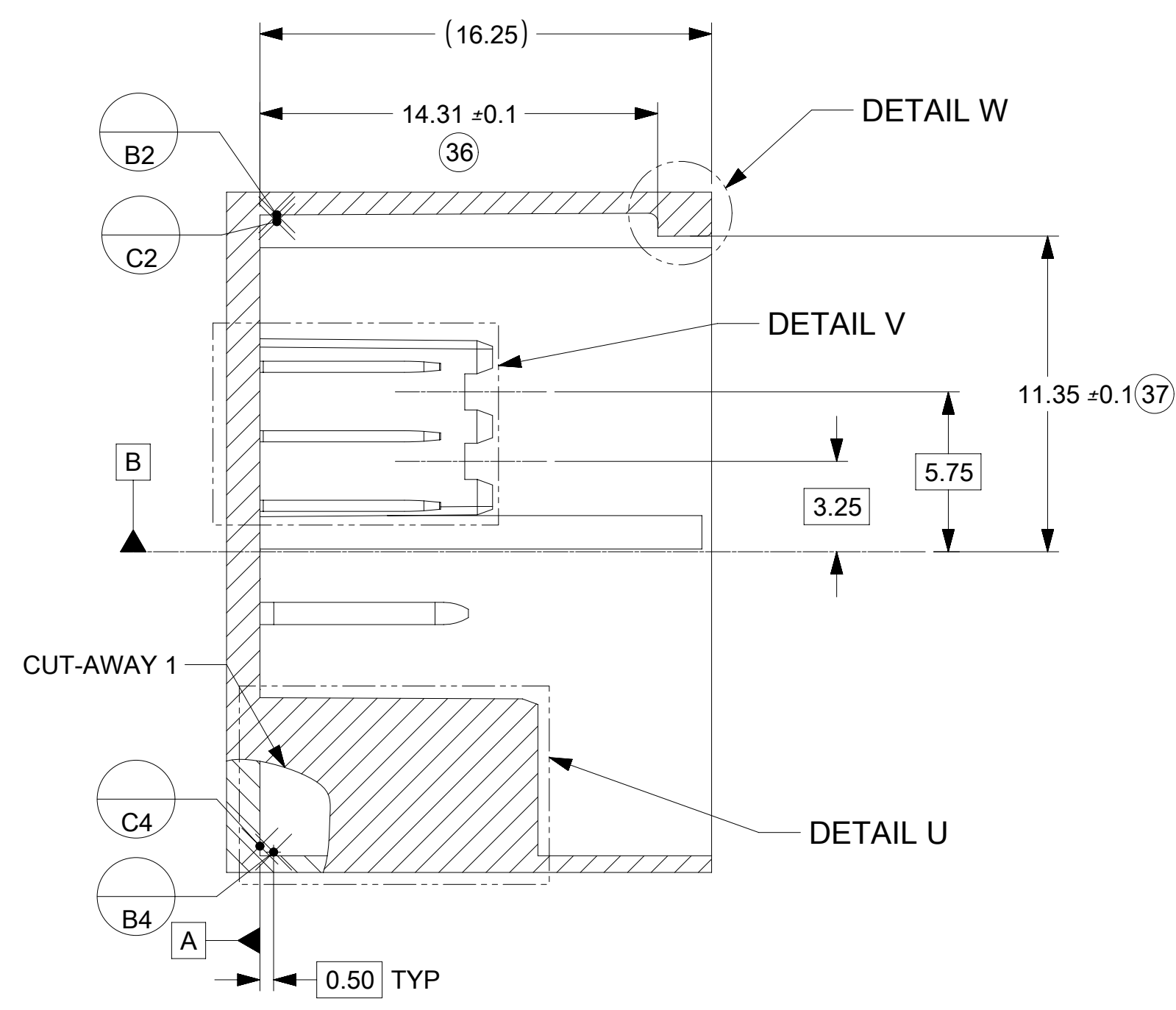
SECTION B-B



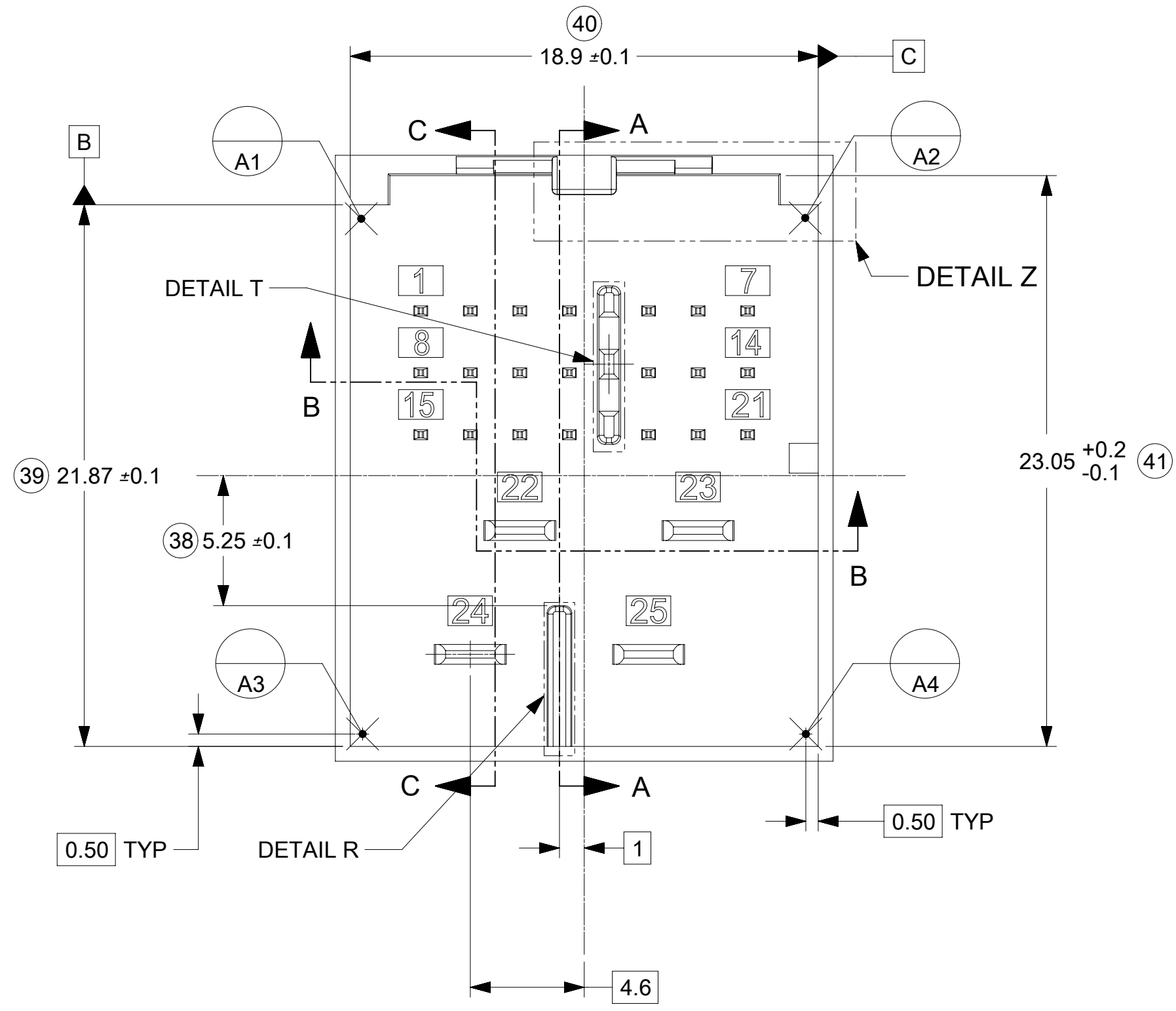
DETAIL Y
SCALE 15:1



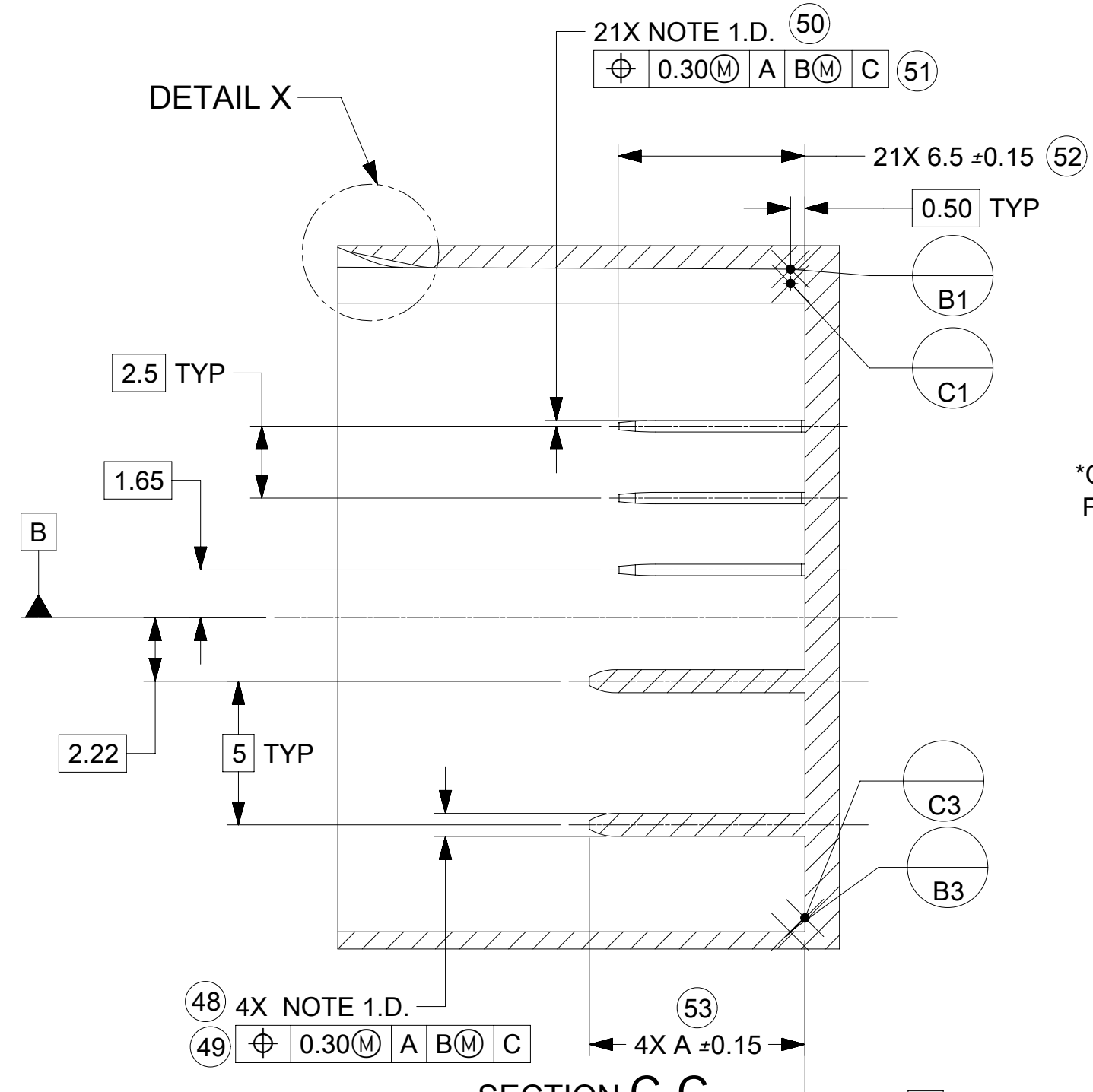
DETAIL X
SCALE 10:1



SECTION A-A



SECTION C-C

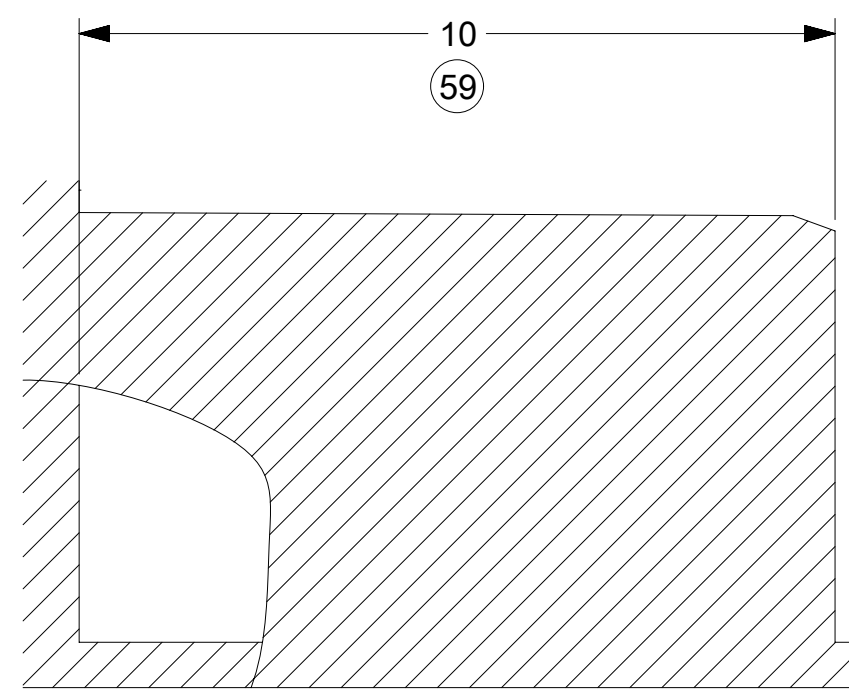


CONSTRUCTION	DIM. A (mm)	STATUS
OPTION A	7.5	REVISION B
OPTION B	6.5	REVISION C

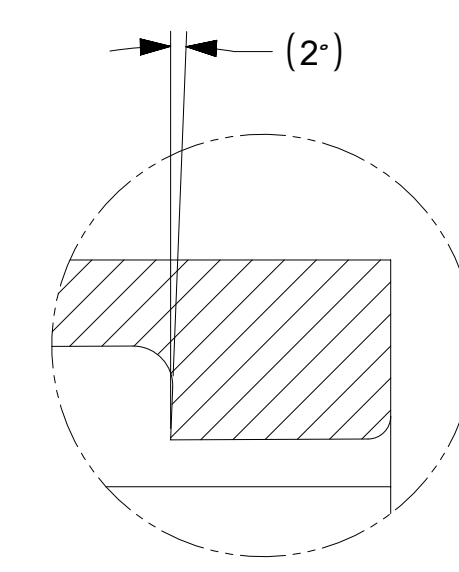
*OPTION B IS THE PREFERRED CONSTRUCTION FOR ALL NEW HEADERS

DETAIL T
SCALE 10:1

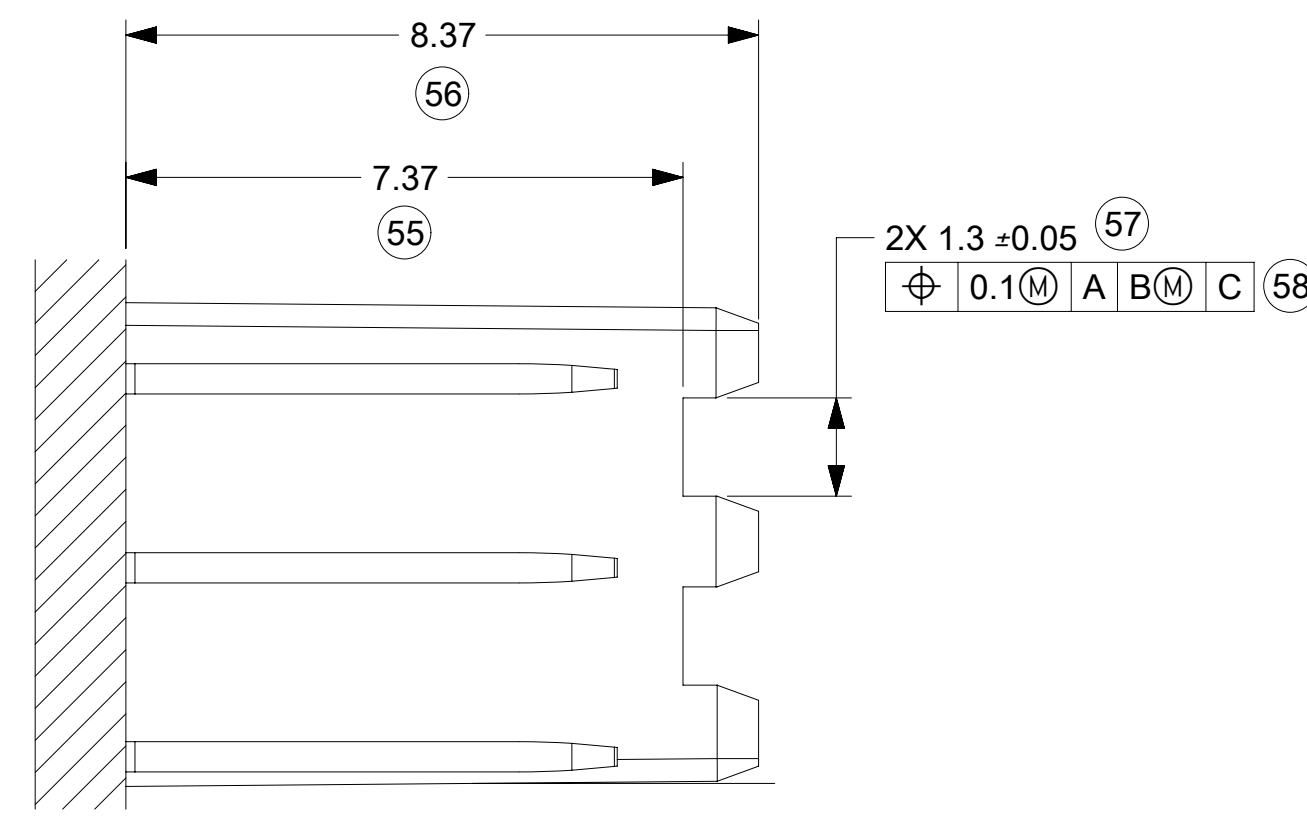
DETAIL R
SCALE 10:1



DETAIL U
SCALE 10:1



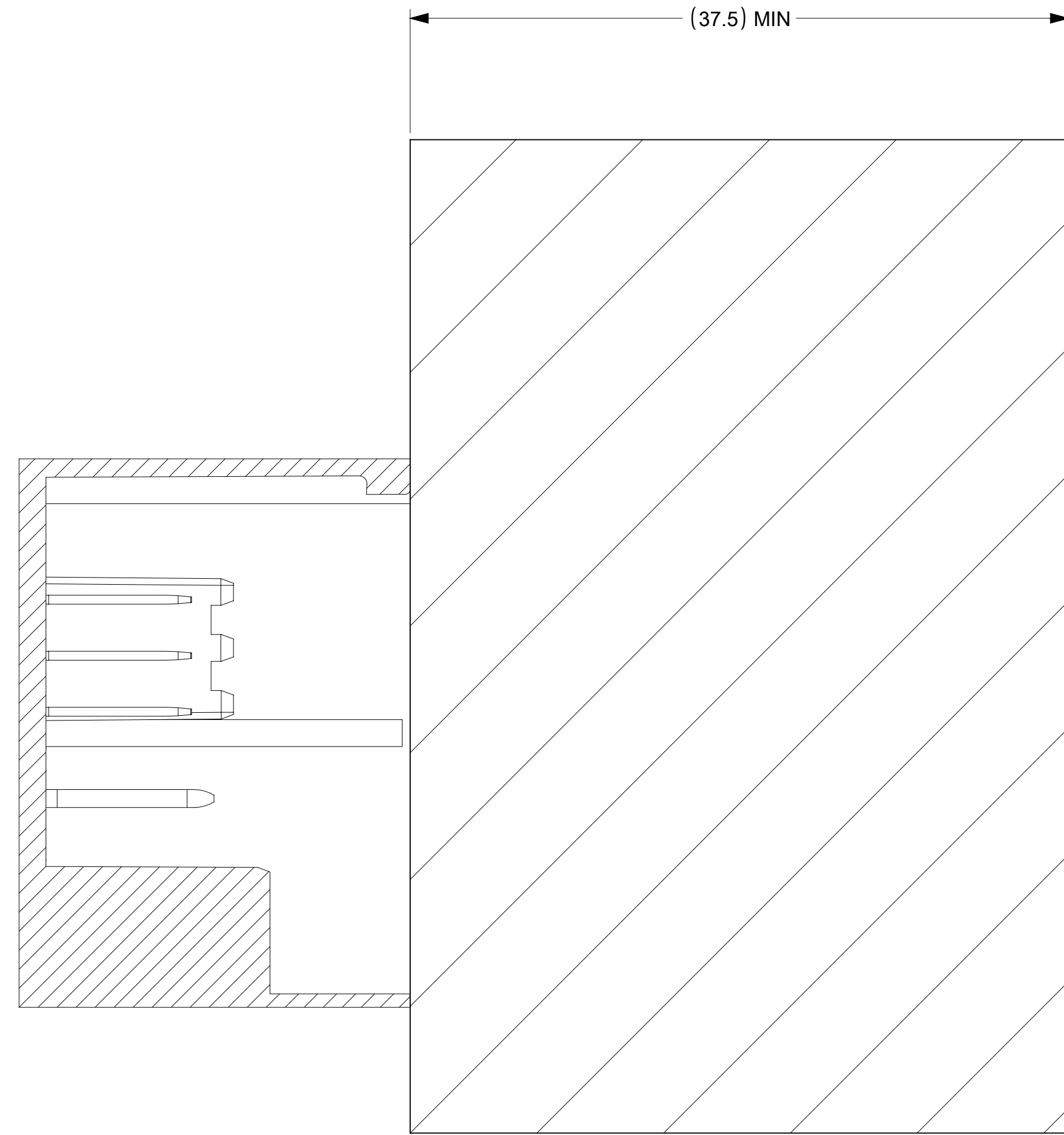
DETAIL W
SCALE 15:1



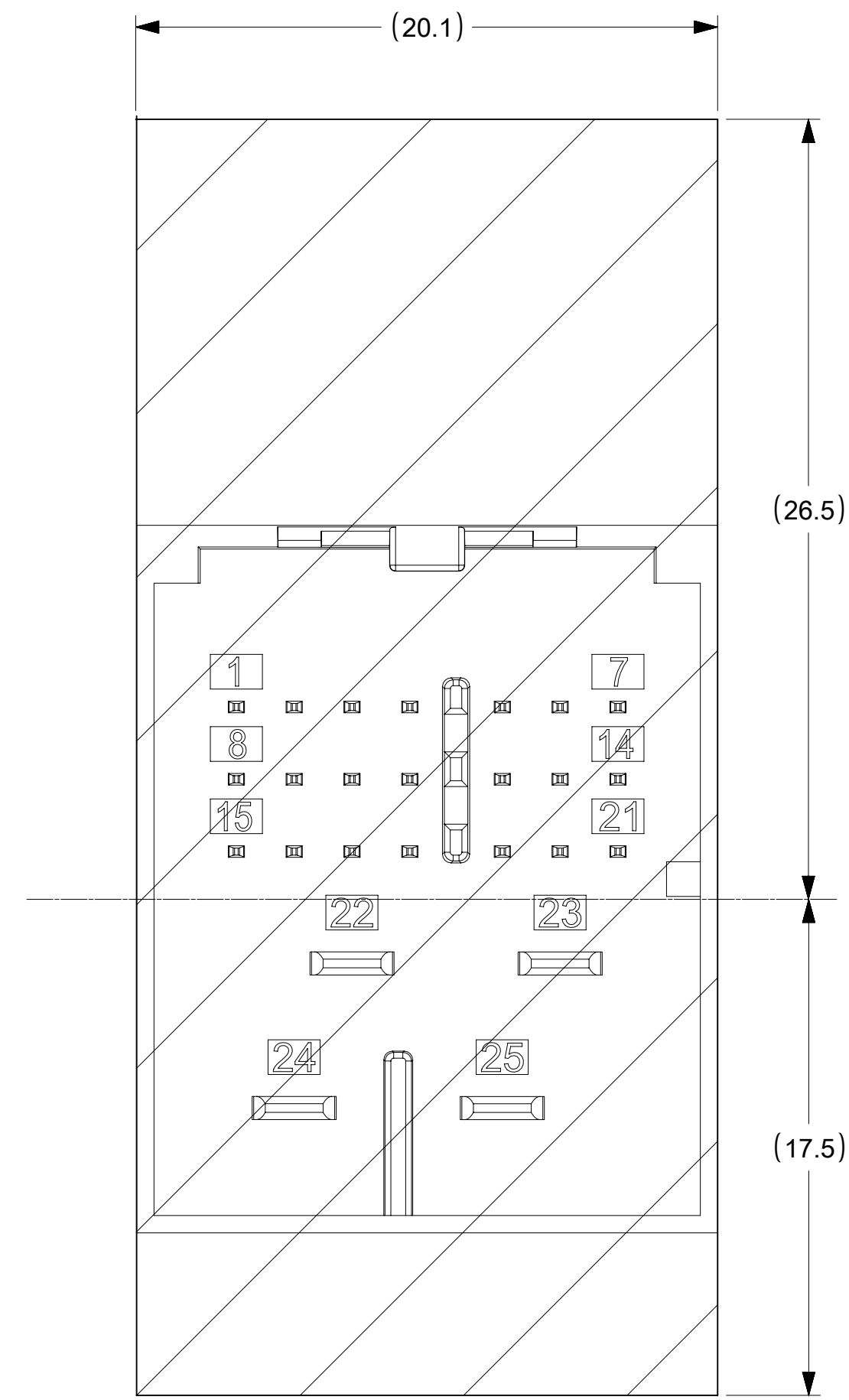
DETAIL V
SCALE 10:1

FUNCTIONAL SYMBOLS FA = 0 FC = 0 FP = 0	THIS DRAWING CONTAINS INFORMATION THAT IS PROPRIETARY TO MOLEX ELECTRONIC TECHNOLOGIES, LLC AND SHOULD NOT BE USED WITHOUT WRITTEN PERMISSION	SCALE 5:1	CURRENT REV DESC: UPDATED BASIC DIMENSIONS IN SECTION B-B ON SHEET 2					
	DIMENSION UNITS mm	GENERAL TOLERANCES (UNLESS SPECIFIED) ANGULAR TOL ± °	EC NO: 649575 DRWN: YPENG47 CHK'D: JRUTTER APPR: MVANSLAMBROU				2020/11/19 2020/11/23 2020/11/25	25WAY STAK50H INTERFACE DRAWING
DIVISIONAL SYMBOLS	4 PLACES ± 3 PLACES ± 2 PLACES ± 1 PLACE ± 0 PLACES ±	SEE NOTES	INITIAL REVISION: DRWN: SPEMMARAJU APPR: KDEKOSKI	2015/11/03 2016/03/24	PRODUCT CUSTOMER DRAWING			
DRAFT WHERE APPLICABLE MUST REMAIN WITHIN DIMENSIONS		THIRD ANGLE PROJECTION	DRAWING D-SIZE	SERIES 160027	DOCUMENT NUMBER SD-160027-002	DOC TYPE PSD	DOC PART 000	REVISION C1
DOCUMENT STATUS P1		RELEASE DATE 2020/11/25 23:16:39	MATERIAL NUMBER GENERAL MARKET		SHEET NUMBER 2 OF 3			

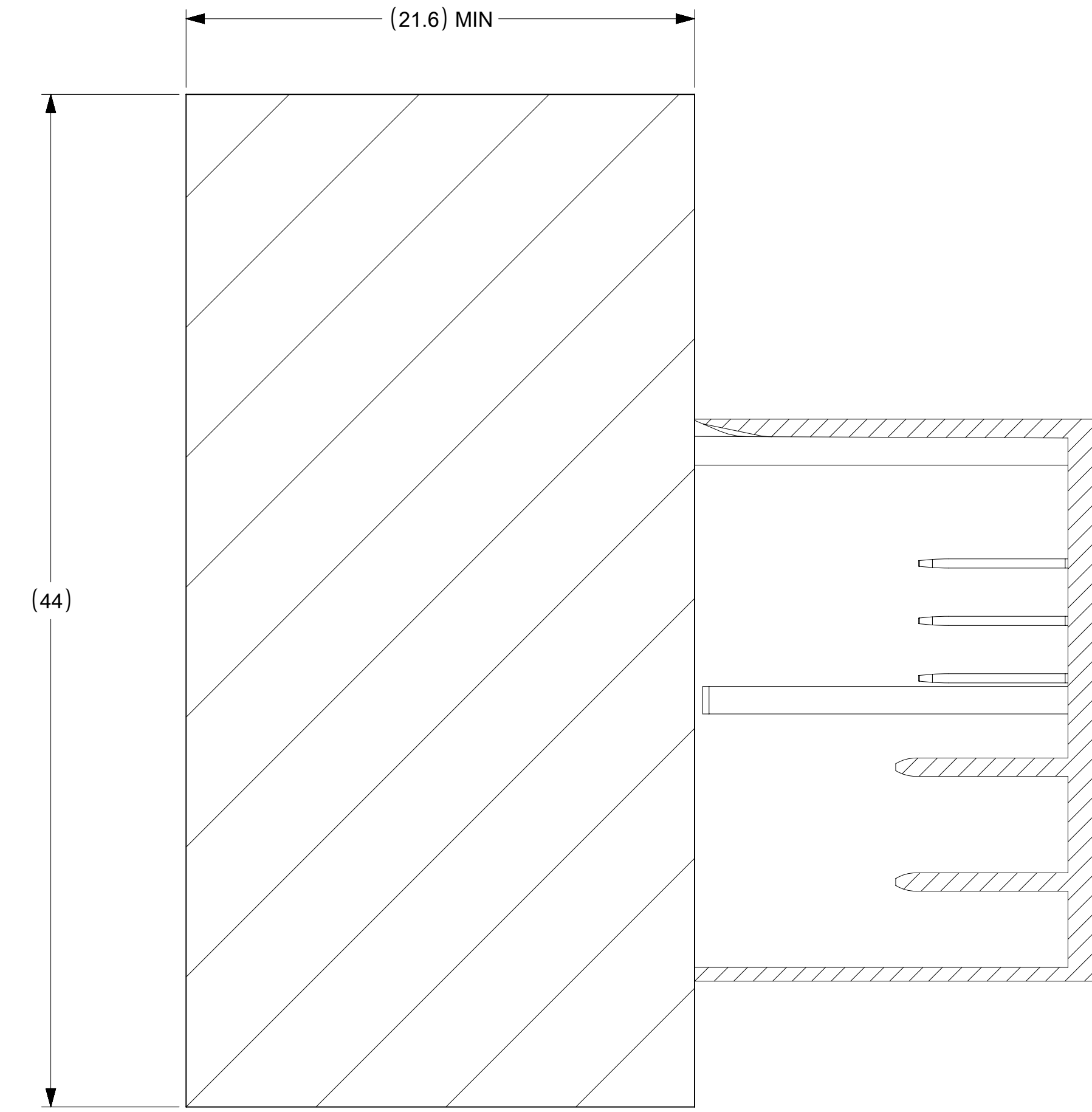
PACKAGE SPACE
FOR UNMATED
CONNECTOR



PACKAGE SPACE
FOR CONNECTOR



PACKAGE SPACE FOR
MATED CONNECTOR
WITH COVER



FUNCTIONAL SYMBOLS	THIS DRAWING CONTAINS INFORMATION THAT IS PROPRIETARY TO MOLEX ELECTRONIC TECHNOLOGIES, LLC AND SHOULD NOT BE USED WITHOUT WRITTEN PERMISSION		
	DIMENSION UNITS	SCALE	CURRENT REV DESC: UPDATED BASIC DIMENSIONS IN SECTION B-B ON SHEET 2
$F_A = 0$	mm	1:1	
$F_C = 0$	GENERAL TOLERANCES (UNLESS SPECIFIED)		
$F_D = 0$	ANGULAR TOL ± °		
DIVISIONAL SYMBOLS	4 PLACES	±	
	3 PLACES	±	
	2 PLACES	±	
	1 PLACE	±	
	0 PLACES	±	
DRAFT WHERE APPLICABLE MUST REMAIN WITHIN DIMENSIONS		THIRD ANGLE PROJECTION	DRAWING SERIES
			D-SIZE 160027
DOCUMENT STATUS		RELEASE DATE	PRODUCT CUSTOMER DRAWING
P1	2020/11/25 23:16:39		
DOCUMENT NUMBER		DOC TYPE	DOC PART
SD-160027-002		PSD	000
INITIAL REVISION:		REVISION	
DRWN: SPEMMARAJU 2015/11/03		C1	
APPR: KDEKOSKI 2016/03/24			
MATERIAL NUMBER		CUSTOMER	SHEET NUMBER
		GENERAL MARKET	3 OF 3

molex

25WAY STAK50H
INTERFACE DRAWING

PRODUCT CUSTOMER DRAWING

DOCUMENT NUMBER SD-160027-002 DOC TYPE PSD DOC PART 000 REVISION C1

D-SIZE 160027

GENERAL MARKET 3 OF 3