

注記 NOTE

- ① 材料及び仕上げ (めっき仕様) : TABLE 1 参照  
MATERIAL AND FINISHED (PLATING SPECIFICATION) : SEE TABLE 1
- ② 嵌合相手 : 214092 シリーズ  
MATE WITH: 214092 SERIES
- ③ 偶数極 に適用  
APPLY FOR EVEN CIRCUIT.
- 4. ターミナルとネイルの平坦度は0.1mm以下  
TERMINAL AND NAIL COPLANARITY : 0.1mm MAXIMUM
- 5. 製品仕様書 : 2140920000-PS 000  
PRODUCT SPECIFICATION : 2140920000-PS 000
- 6. アプリケーション仕様書 : 2166940000-AS 000  
APPLICATION SPECIFICATION : 2166940000-AS 000
- ⑦ 発注番号 : SHEET 5の製品一覧を参照ください  
ORDER NO. : REFER TO SHEET 5 FOR PRODUCT LIST

9.52	7.0	10.54	8
8.52	6.0	9.54	7
7.52	5.0	8.54	6
6.52	4.0	7.54	5
5.52	3.0	6.54	4
4.52	2.0	5.54	3
3.52	1.0	4.54	2
C	B	A	極数 CIRCUIT SIZE

① TABLE 1

番号 NO.	部品 PART	材質 MATERIAL
①	ハウジング HOUSING	ポリアミド(PA),ガラス充填,UL94 V-0,色 : 黒 POLYAMIDE (PA),GLASS FILLED,UL94 V-0,COLOR:BLACK
②	ターミナル及びネイル TERMINAL AND NAIL	黄銅 BRASS
		錫めっき : 1.0 MICROMETER MINIMUM MATTE TIN PLATING ニッケルめっき(下地全面) : 1.0 MICROMETER MINIMUM NICKEL (UNDER-PLATING OVERALL)

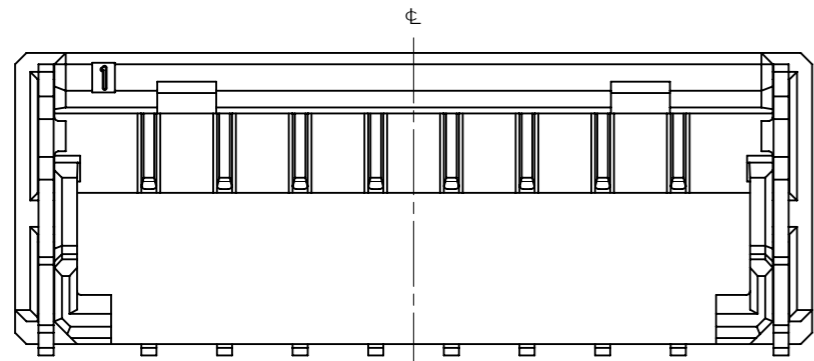
DOCUMENT STATUS | P1 | RELEASE DATE | 2021/12/13 10:05:06

214094 0 0 \* 0

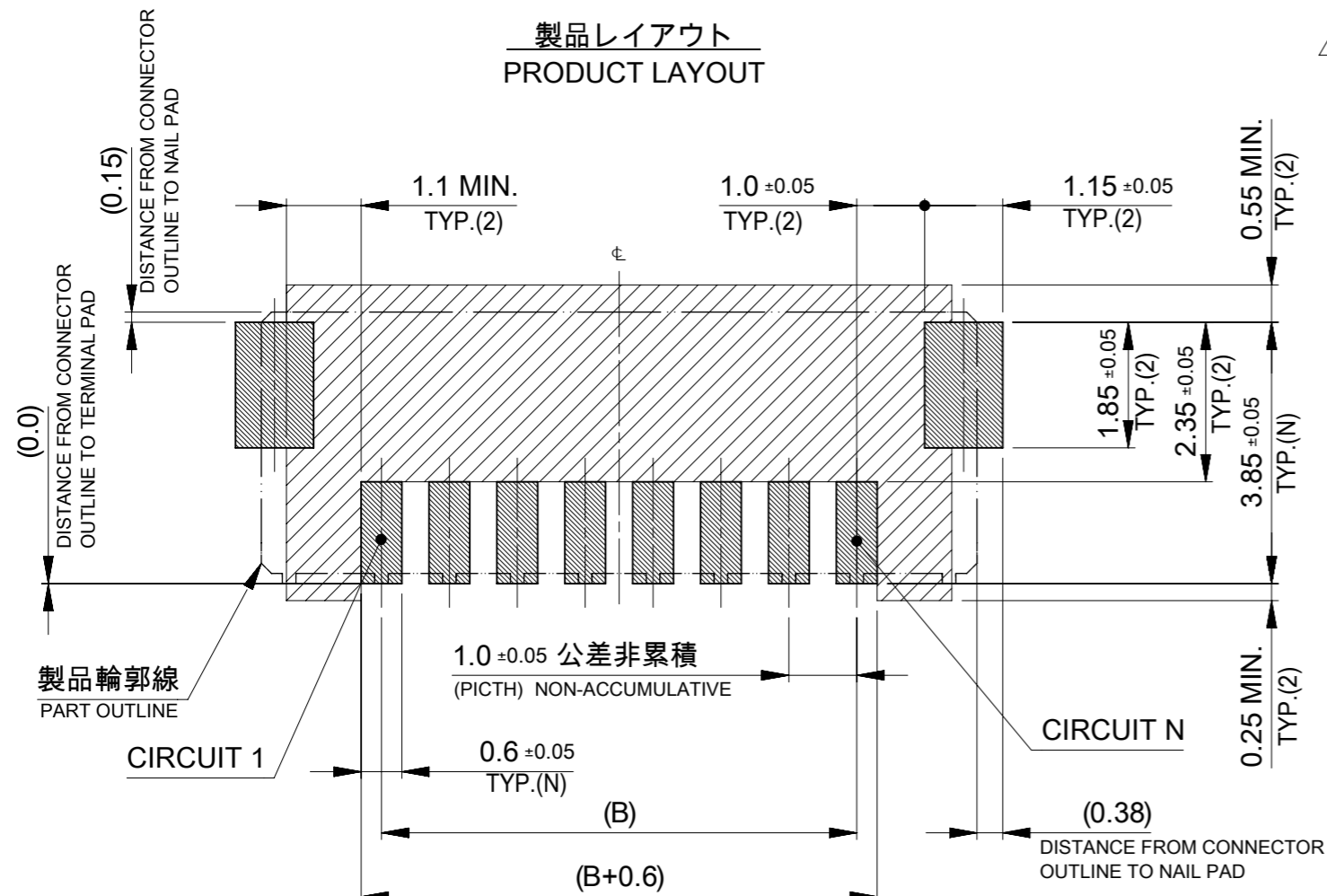
極数  
CIRCUIT SIZE

THIS DRAWING CONTAINS INFORMATION THAT IS PROPRIETARY TO MOLEX ELECTRONIC TECHNOLOGIES, LLC AND SHOULD NOT BE USED WITHOUT WRITTEN PERMISSION

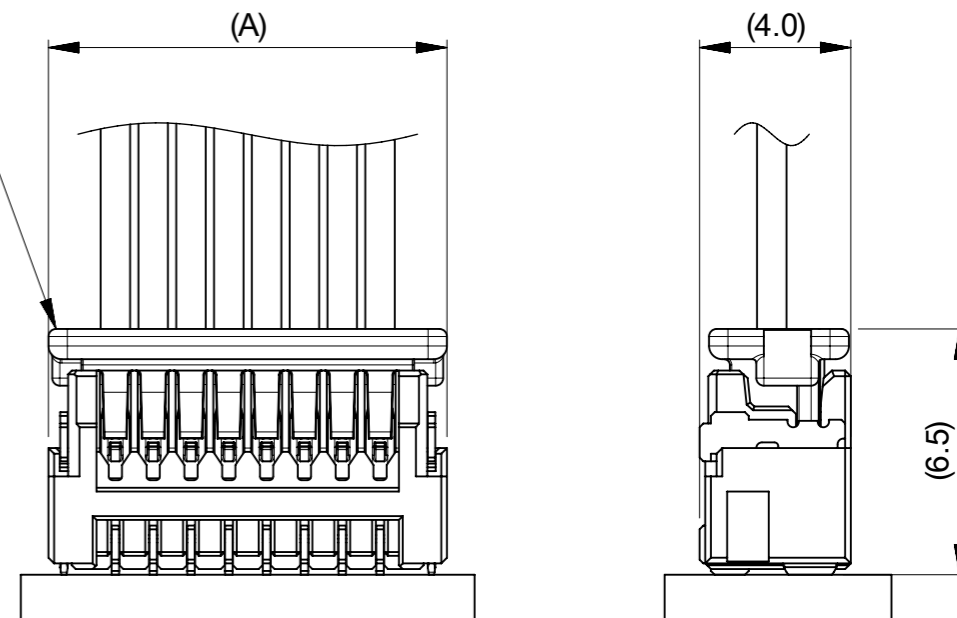
DIMENSION UNITS mm	SCALE NTS	CURRENT REV DESC:		<b>molex</b>				
GENERAL TOLERANCES (UNLESS SPECIFIED)		EC NO: 688260						ONEBLADE1.0 WTB SINGLE ROW VERTICAL SMT HEADER ASSEMBLY TIN PLATING
ANGULAR TOL ± 3.0°	4 PLACES ± 0.2	DRWN: AISHIKAWA	2021/07/19	PRODUCT CUSTOMER DRAWING				
3 PLACES ± 0.2	2 PLACES ± 0.2	CHK'D: AIDA	2021/12/13	DOCUMENT NUMBER				
2 PLACES ± 0.2	1 PLACE ± 0.2	APPR: SAKIYAMA	2021/12/13	2140940000-SD		DOC TYPE	DOC PART	REVISION
1 PLACE ± 0.2	0 PLACES ± 0.2	INITIAL REVISION:		2140940000-SD		PSD	000	A
DRAFT WHERE APPLICABLE MUST REMAIN WITHIN DIMENSIONS		DRWN: AISHIKAWA	2021/07/19	SEE SHEET 5		CUSTOMER		SHEET NUMBER
THIRD ANGLE PROJECTION		APPR: SAKIYAMA	2021/12/13	GENERAL		GENERAL		1 OF 5
DRAWING		SERIES	MATERIAL NUMBER	CUSTOMER		SHEET NUMBER		
A3-SIZE		214094	SEE SHEET 5	GENERAL		1 OF 5		



製品レイアウト  
PRODUCT LAYOUT



△ 嵌合相手 : 214092 シリーズ  
MATE WITH : 214092 SERIES



嵌合状態図  
MATED CONNECTORS



推奨基板レイアウト:実装面側

(参考: 基板厚1.2mm, メタルマスク厚0.1~0.12mm, マスク開口率100%)

SUGGESTED PCB LAYOUT : COMPONENT SIDE

(REFERENCE: PCB THICKNESS 1.2mm, STENCIL THICKNESS 0.1~0.12mm, APERTURE RATIO 100%)

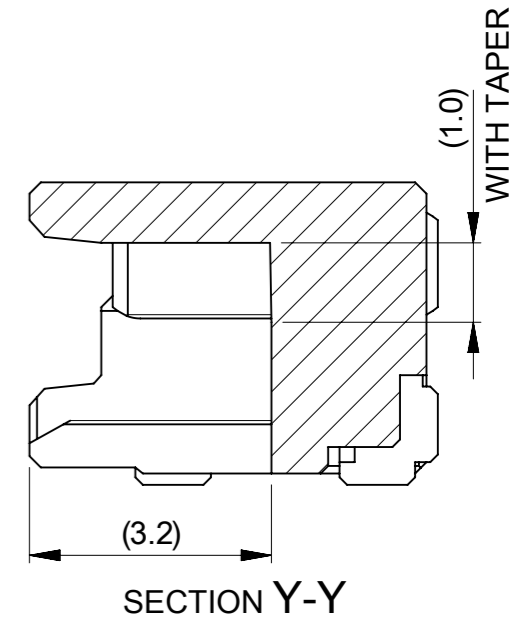
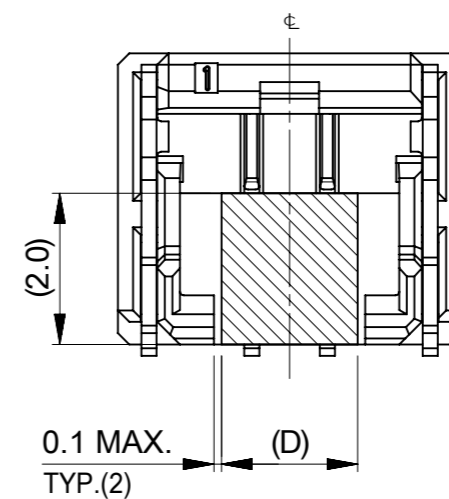
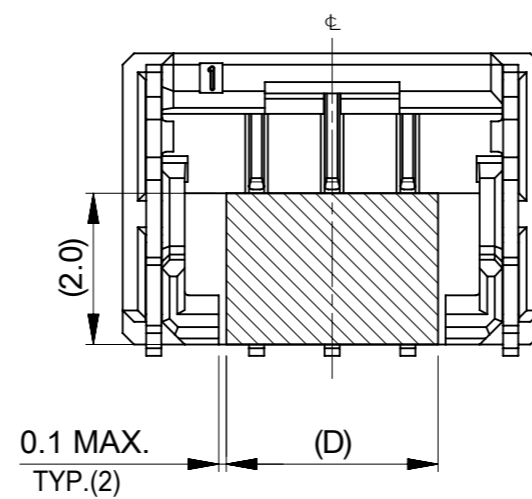
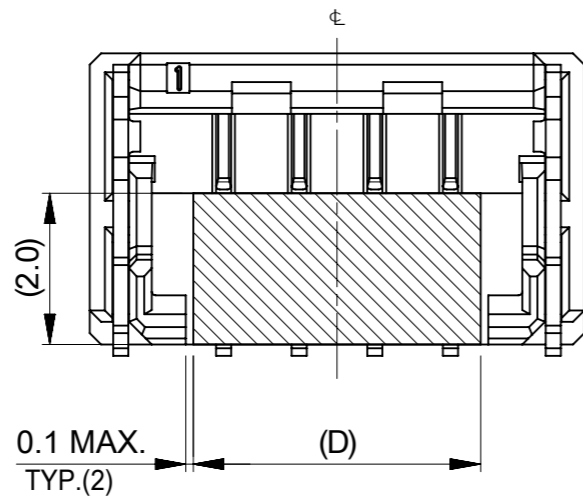
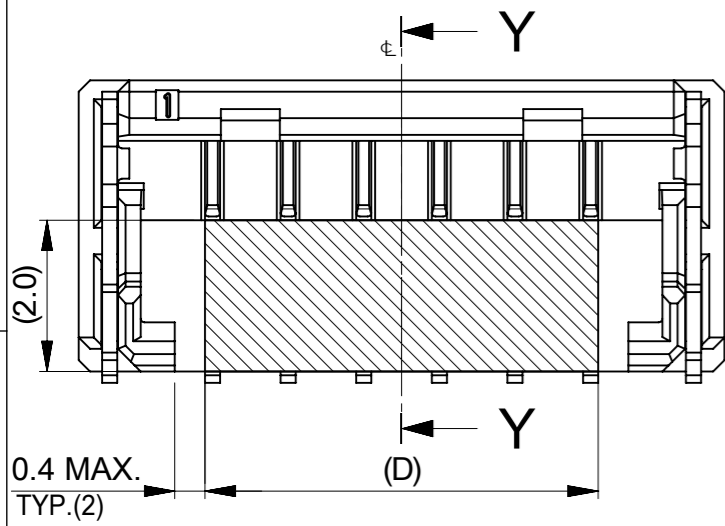
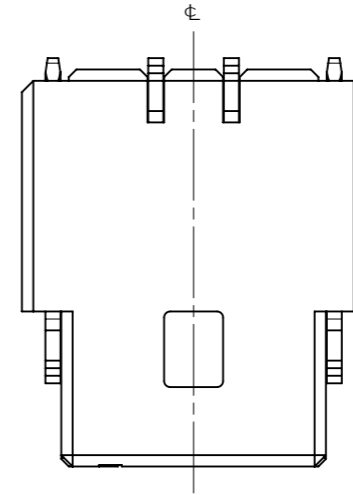
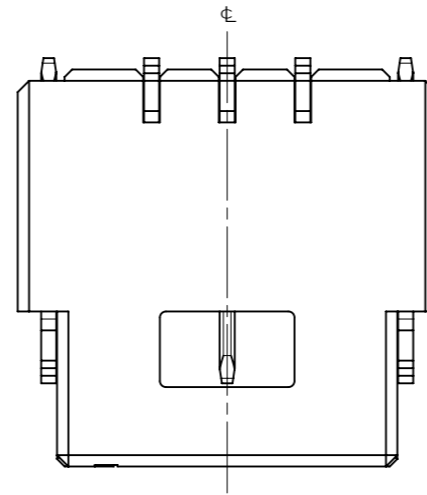
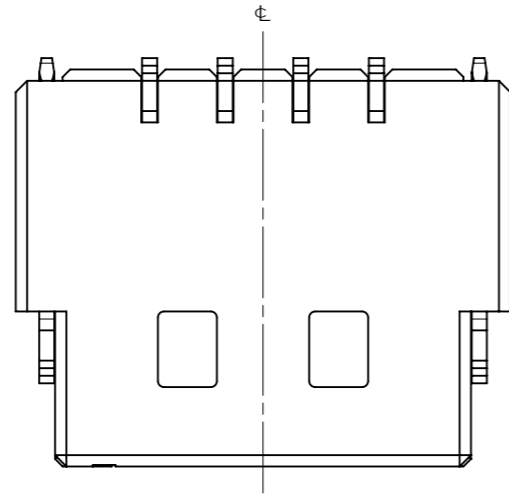
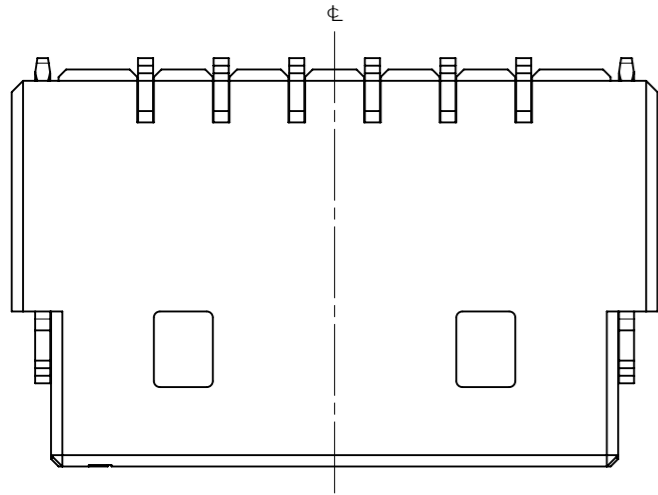


:パターン非推奨エリア

パターンを引き回す際は、製品機能に影響がないことをご確認ください。  
PATTERN IS NOT RECOMMENDED ON THE HATCHING AREA  
PLEASE CHECK NOT TO HAVE PROBLEM FOR PRODUCT FUNCTION  
WHEN SETTING PATTERN ON THE HATCHING AREA.

THIS DRAWING CONTAINS INFORMATION THAT IS PROPRIETARY TO MOLEX ELECTRONIC TECHNOLOGIES, LLC AND SHOULD NOT BE USED WITHOUT WRITTEN PERMISSION											
DIMENSION UNITS		SCALE		CURRENT REV DESC:							
mm		NTS									
GENERAL TOLERANCES (UNLESS SPECIFIED)				EC NO: 688260						ONEBLADE1.0 WTB SINGLE ROW VERTICAL SMT HEADER ASSEMBLY TIN PLATING	
ANGULAR TOL ± 3.0 °				DRWN: AISHIKAWA 2021/07/19							
4 PLACES ± 0.2				CHK'D: AIDA 2021/12/13						PRODUCT CUSTOMER DRAWING	
3 PLACES ± 0.2				APPR: SAKIYAMA 2021/12/13							
2 PLACES ± 0.2				INITIAL REVISION:						DOCUMENT NUMBER	
1 PLACE ± 0.2				DRWN: AISHIKAWA 2021/07/19							
0 PLACES ± 0.2				APPR: SAKIYAMA 2021/12/13						2140940000-SD	
DRAFT WHERE APPLICABLE MUST REMAIN WITHIN DIMENSIONS		THIRD ANGLE PROJECTION		DRAWING		SERIES		MATERIAL NUMBER		CUSTOMER	
				A3-SIZE		214094		SEE SHEET 5		GENERAL	

# 製品形状及び吸着エリア PRODUCT SHAPE AND SUCTION AREA



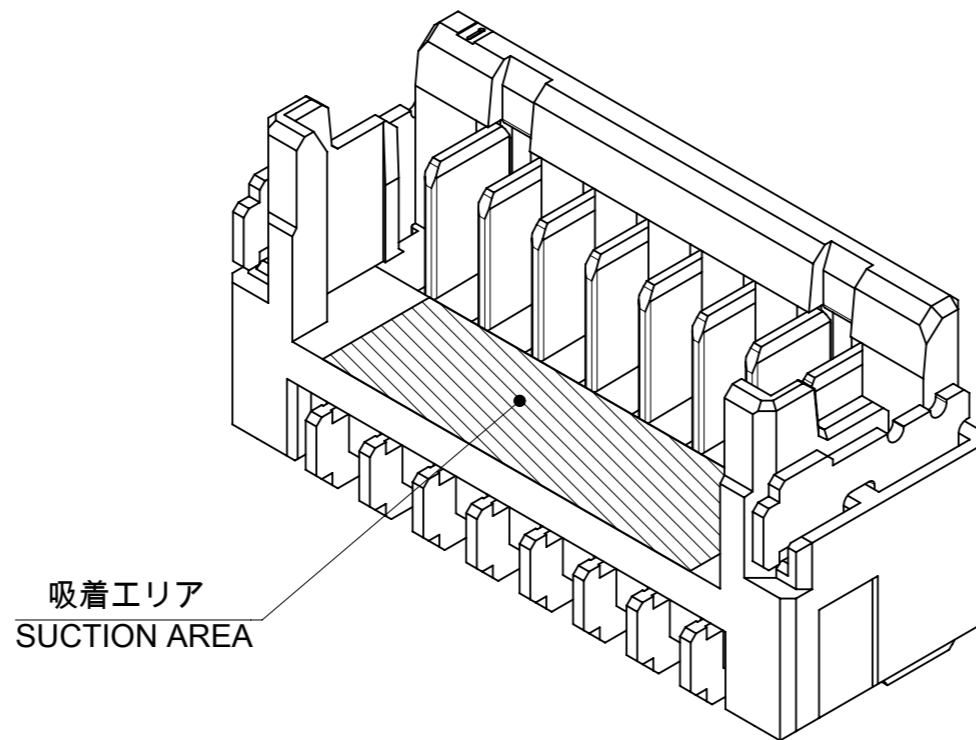
6~8極形状(2ロック)  
VIEW OF 6~8 CIRCUIT(2 LOCKS)

4~5極形状(2ロック)  
VIEW OF 4~5 CIRCUIT(2 LOCKS)

3極形状(1ロック)  
VIEW OF 3 CIRCUIT(1 LOCK)

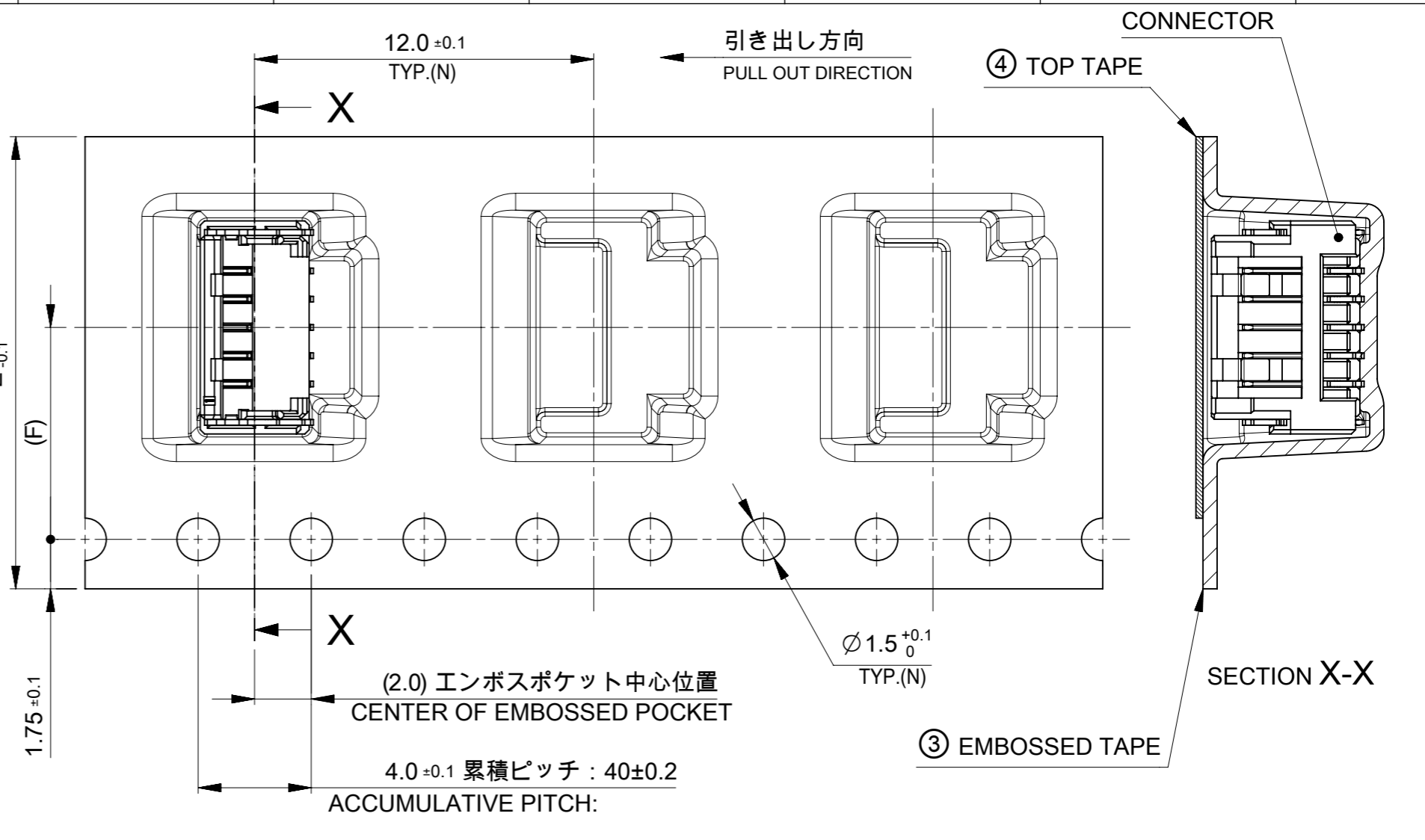
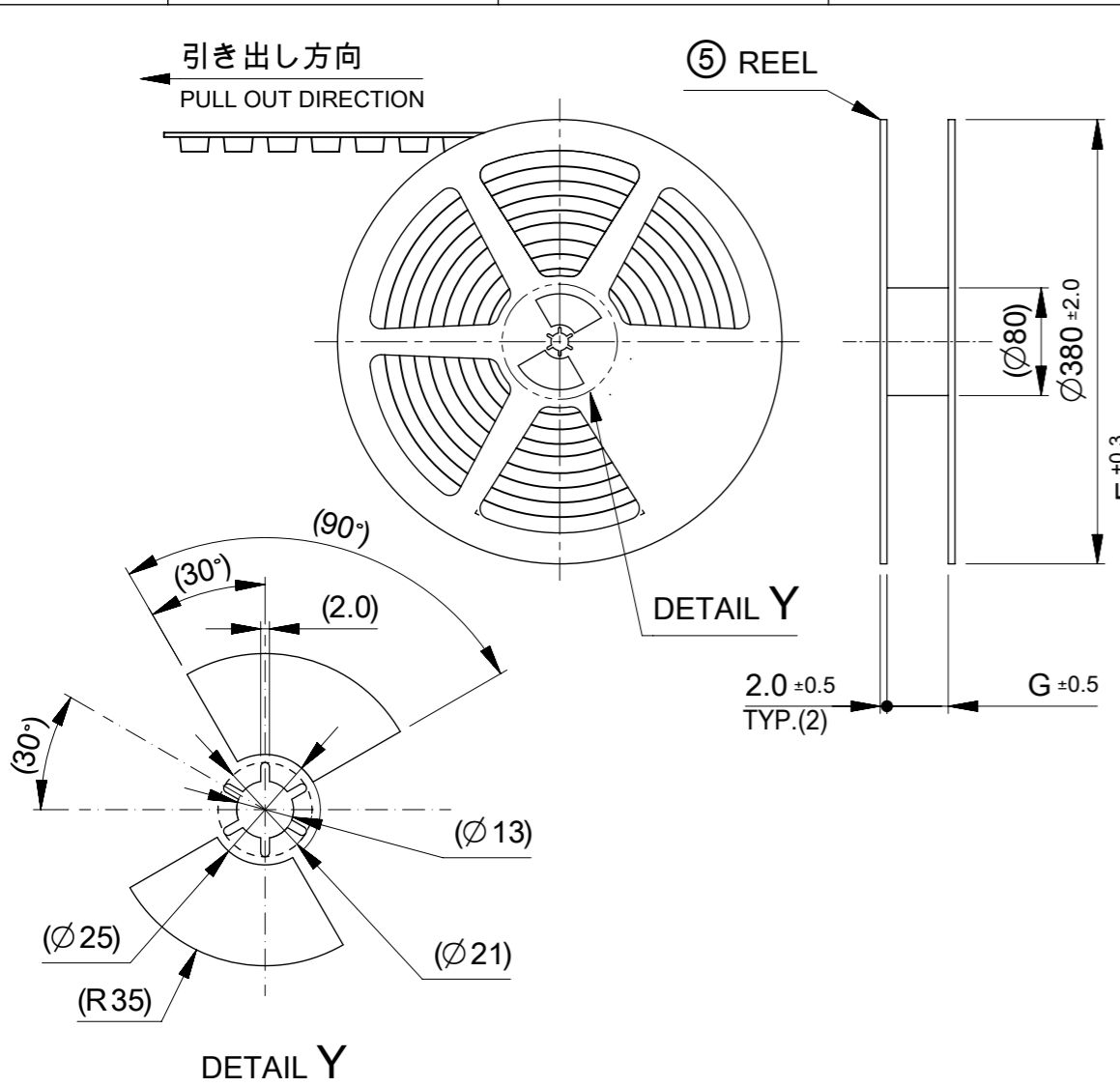
2極形状(1ロック)  
VIEW OF 2 CIRCUIT(1 LOCK)

全極共通  
APPLY TO ALL CIRCUITS



7.2	8
6.2	7
5.2	6
4.8	5
3.8	4
2.8	3
1.8	2
D	極数 CIRCUIT SIZE

THIS DRAWING CONTAINS INFORMATION THAT IS PROPRIETARY TO MOLEX ELECTRONIC TECHNOLOGIES, LLC AND SHOULD NOT BE USED WITHOUT WRITTEN PERMISSION		CURRENT REV DESC:		<b>molex</b>	
DIMENSION UNITS	SCALE	EC NO: 688260			
mm	NTS	DRWN: AISHIKAWA 2021/07/19		ONEBLADE1.0 WTB SINGLE ROW VERTICAL SMT HEADER ASSEMBLY TIN PLATING	
GENERAL TOLERANCES (UNLESS SPECIFIED)		CHK'D: AIDA 2021/12/13			
ANGULAR TOL ± 3.0°		APPR: SAKIYAMA 2021/12/13		PRODUCT CUSTOMER DRAWING	
4 PLACES ± 0.2	INITIAL REVISION:		DOCUMENT NUMBER		DOC TYPE
3 PLACES ± 0.2	DRWN: AISHIKAWA 2021/07/19		2140940000-SD		PSD
2 PLACES ± 0.2	APPR: SAKIYAMA 2021/12/13		SERIES		DOC PART
1 PLACE ± 0.2	DRWN: AISHIKAWA 2021/07/19		A3-SIZE		000
0 PLACES ± 0.2	APPR: SAKIYAMA 2021/12/13		214094		A
DRAFT WHERE APPLICABLE MUST REMAIN WITHIN DIMENSIONS		THIRD ANGLE PROJECTION	DRAWING	MATERIAL NUMBER	CUSTOMER
			A3-SIZE	SEE SHEET 5	GENERAL
			SHEET NUMBER	3 OF 5	



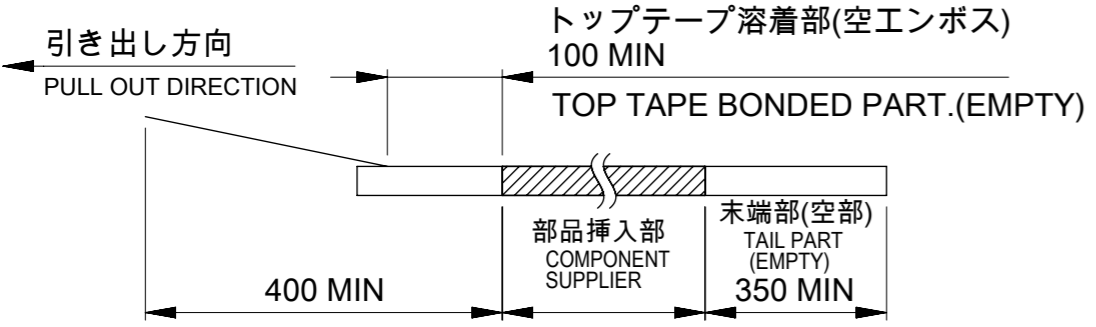
注記:  
NOTES:

8. 梱包数量 : 1,200個/リール  
NUMBER OF CONNECTORS : 1,200 PIECES/REEL

9. リードテープ長さ  
LEAD TAPE LENGTH

10. トップテープの剥離強度はIEC60286-3に準拠。  
TOP TAPE PEELING FORCE IS DEFINED BY IEC60286-3.

11. 梱包仕様書 : 2140949200-SPK 200  
PACKAGING SPECIFICATION : 2140949200-SPK 200



25.5	11.5	24	8
			7
17.5	7.5	16	6
			5
			4
			3
G	コネクタ中心位置 F CENTER OF CONNECTOR	エンボステープ幅 E WIDTH OF TAPE	2
			極数 CIRCUIT SIZE

番号 No.	部品 PART	材質 MATERIAL
③	エンボステープ EMBOSSSED TAPE	ポリスチレン(PS),その他 POLYSTYRENE(PS),etc
④	トップテープ TOP TAPE	ポリエチレン(PE),その他 POLYETHYLENE(PE),etc
⑤	リール REEL	ポリスチレン(PS) <リサイクル材を含む> POLYSTYRENE(PS) <RECYCLE MATERIAL CONTAINED >

THIS DRAWING CONTAINS INFORMATION THAT IS PROPRIETARY TO MOLEX ELECTRONIC TECHNOLOGIES, LLC AND SHOULD NOT BE USED WITHOUT WRITTEN PERMISSION

DIMENSION UNITS: mm SCALE: NTS

GENERAL TOLERANCES (UNLESS SPECIFIED): ANGULAR TOL ± 3.0°

4 PLACES ± 0.2  
3 PLACES ± 0.2  
2 PLACES ± 0.2  
1 PLACE ± 0.2  
0 PLACES ± 0.2

DRAFT WHERE APPLICABLE MUST REMAIN WITHIN DIMENSIONS

THIRD ANGLE PROJECTION

DRAWING: A3-SIZE SERIES: 214094 MATERIAL NUMBER: SEE SHEET 5 CUSTOMER: GENERAL SHEET NUMBER: 4 OF 5

CURRENT REV DESC:

EC NO: 688260  
DRWN: AISHIKAWA 2021/07/19  
CHK'D: AIDA 2021/12/13  
APPR: SAKIYAMA 2021/12/13

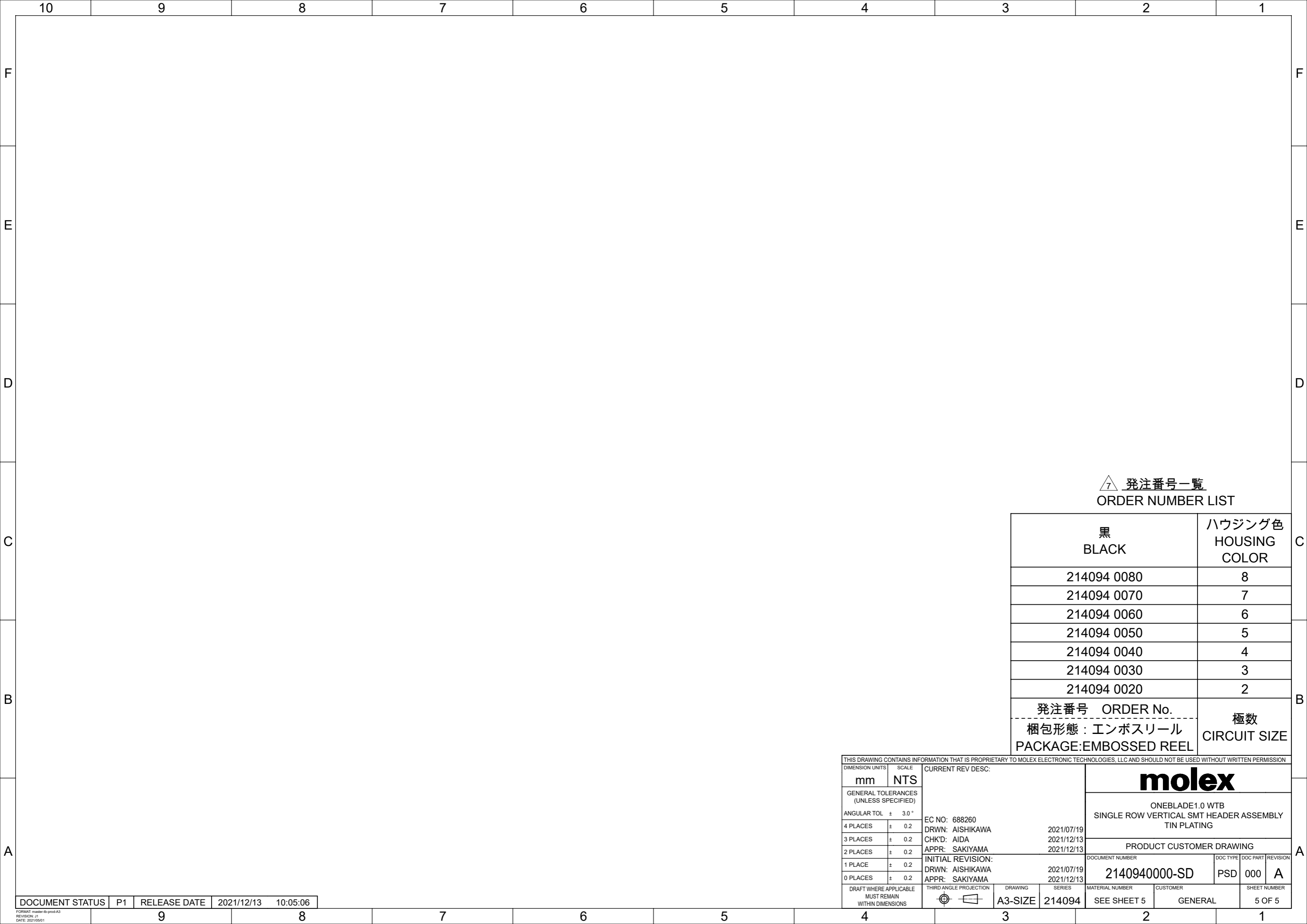
INITIAL REVISION:  
DRWN: AISHIKAWA 2021/07/19  
APPR: SAKIYAMA 2021/12/13

DOCUMENT NUMBER: 2140940000-SD DOC TYPE: PSD DOC PART: 000 REVISION: A

**molex**

ONEBLADE1.0 WTB  
SINGLE ROW VERTICAL SMT HEADER ASSEMBLY  
TIN PLATING

PRODUCT CUSTOMER DRAWING



△ 7 発注番号一覧  
ORDER NUMBER LIST

黒 BLACK	ハウジング色 HOUSING COLOR
214094 0080	8
214094 0070	7
214094 0060	6
214094 0050	5
214094 0040	4
214094 0030	3
214094 0020	2
発注番号 ORDER No. ----- 梱包形態：エンボスリール PACKAGE:EMBOSSED REEL	極数 CIRCUIT SIZE

THIS DRAWING CONTAINS INFORMATION THAT IS PROPRIETARY TO MOLEX ELECTRONIC TECHNOLOGIES, LLC AND SHOULD NOT BE USED WITHOUT WRITTEN PERMISSION													
DIMENSION UNITS <b>mm</b>		SCALE <b>NTS</b>		CURRENT REV DESC:				<b>molex</b>		ONEBLADE1.0 WTB SINGLE ROW VERTICAL SMT HEADER ASSEMBLY TIN PLATING			
GENERAL TOLERANCES (UNLESS SPECIFIED)		ANGULAR TOL ± 3.0 °		EC NO: 688260 DRWN: AISHIKAWA 2021/07/19 CHK'D: AIDA 2021/12/13 APPR: SAKIYAMA 2021/12/13									
4 PLACES ± 0.2		3 PLACES ± 0.2		INITIAL REVISION: DRWN: AISHIKAWA 2021/07/19 APPR: SAKIYAMA 2021/12/13				DOCUMENT NUMBER <b>2140940000-SD</b>		DOC TYPE PSD	DOC PART 000	REVISION <b>A</b>	
2 PLACES ± 0.2		1 PLACE ± 0.2		DRAFT WHERE APPLICABLE MUST REMAIN WITHIN DIMENSIONS		THIRD ANGLE PROJECTION 		DRAWING <b>A3-SIZE</b>	SERIES <b>214094</b>	MATERIAL NUMBER SEE SHEET 5	CUSTOMER GENERAL		SHEET NUMBER 5 OF 5

DOCUMENT STATUS	P1	RELEASE DATE	2021/12/13	10:05:06
-----------------	----	--------------	------------	----------