



KISSLING SAFETY SWITCH

Series 24 - from TE Connectivity (TE)

Switches for areas where safety is the focus

This safety switch will break the current instantly by manual activation. The use of this switch allows increased safety factors in field installations. The current circuit will be closed by pulling the red knob. In an emergency, the current circuit can be isolated by force when pressing the operating knob.

The internal switching mechanism self-activates automatically the complete disconnection process. The safety switch can only be used in direct current applications and is designed to operate under full load, for voltages above 36VDC, magnetic blowouts are recommended for arc suppression. In applications integrated with magnetic blowouts, attention must be made for polarity protection.

Features

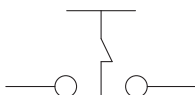
- Sealed housing conforms to IP40
- 1- pole interrupting switch
- Continuous current up to 500A at 80VDC
- Up to 10,000 cycles mechanical life
- Lockable actuator options available
- Version with auxiliary contact for charging function

Applications

- Commercial vehicles
- Plant and industrial engineering
- Off-Road vehicles (including lift vehicles)
- Construction & agricultural vehicles
- Hydraulic systems
- Remote control panels
- Marine applications

Circuit

NC- Contact



KISSLING SAFETY SWITCH

Series 24

Specification

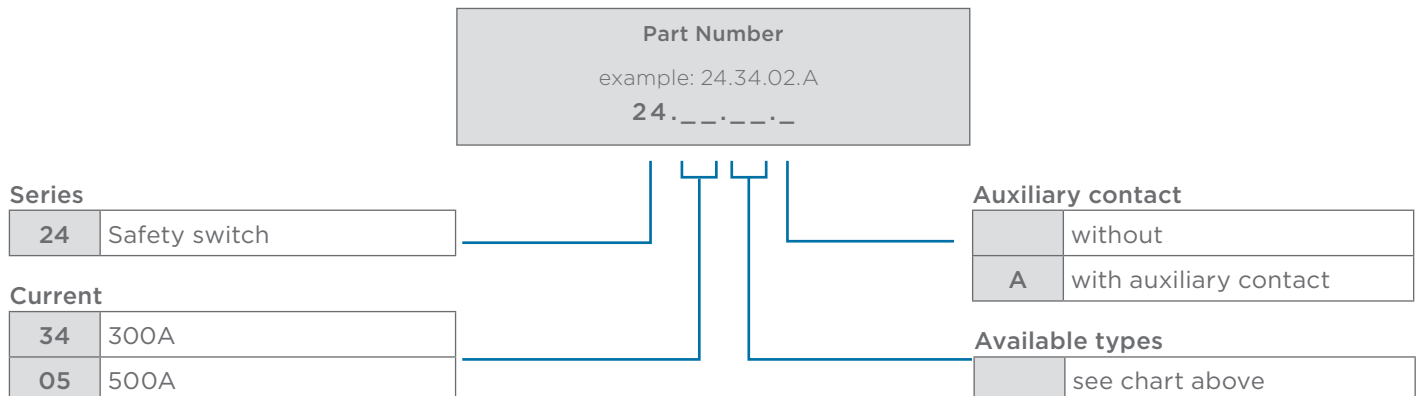
Technical Data

Temperature range	-30°C to +70°C		
Housing Material	Thermoplastic		
Terminals	Cu		
Vibration	MIL-STD-202E, test method 204, test condition C 10-2000Hz/10g		
Shock	MIL-STD-202E, test method 213, test condition J = 30g		
Max. Acceleration	15G		
Positive opening operations	Similar VDE 0113		
Norms	Construction EN 60497, Utilization category DC4, Isolation i.a.w. VDE 0110 Over voltage category III, Pollution degree 3		
Mechanical life	10.000 cycles		
Voltage range	12V - 80V		
Continuous current	300A / 500A		
Switching function	Change over		
Voltage range	250VAC	25VDC	60VDC
Continuous current	5A	2A	400mA

Available Types

Ordering key	Large push button	Small push button	Central lock	Magnetic blowouts	Extended push button
02	x				
03		x			
04	x				x
05		x			x
22	x		x		
23		x	x		
24	x		x	x	
25		x	x	x	
82	x			x	
83		x		x	
84	x			x	x
85		x		x	x

Ordering Information

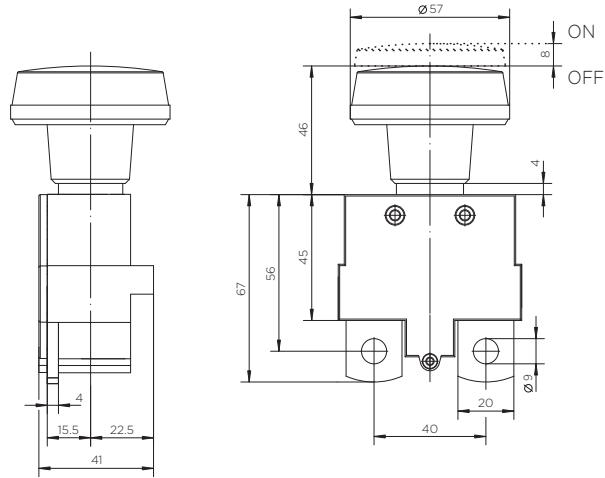


KISSLING SAFETY SWITCH

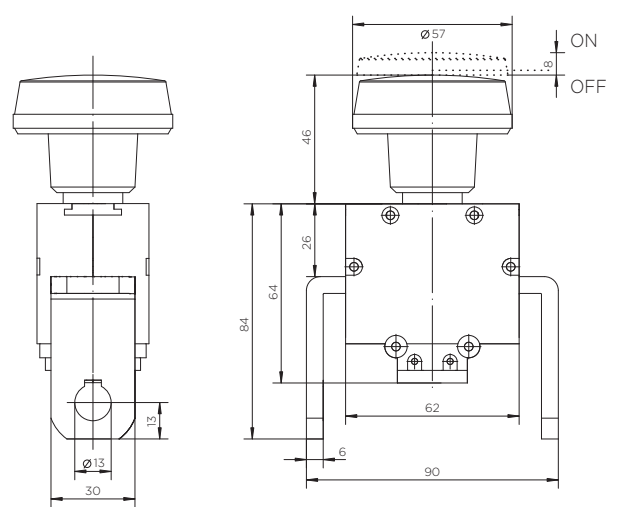
Series 24

Technical drawings

300A - 24.34.....

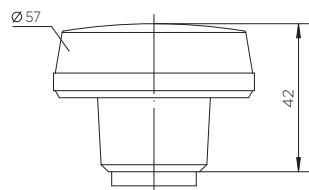


500A - 24.05.....

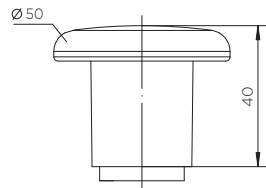


Version

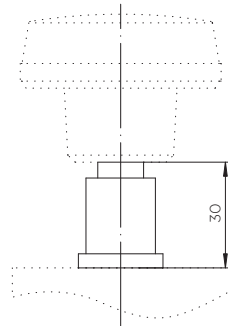
Large push button



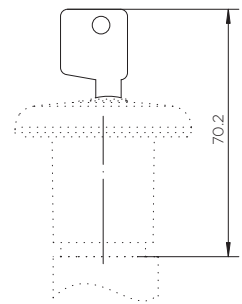
Small push button



Extended push button

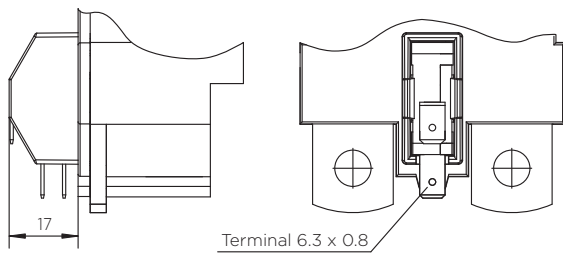


Central lock

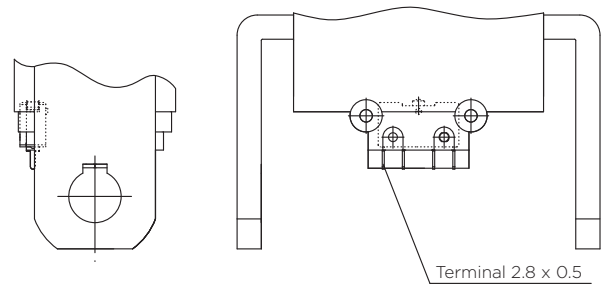


Accessories

Auxiliary contact 300A



Auxiliary contact 500A



te.com

TE Connectivity, TE, TE connectivity (logo) and KISSLING (word) are trademarks owned or licensed by the TE Connectivity family of companies. All other logos, products and/or company names referred to herein might be trademarks of their respective owners.

The information given herein, including drawings, illustrations and schematics which are intended for illustration purposes only, is believed to be reliable. However, TE Connectivity makes no warranties as to its accuracy or completeness and disclaims any liability in connection with its use. TE Connectivity's obligations shall only be as set forth in TE Connectivity's Standard Terms and Conditions of Sale for this product and in no case will TE Connectivity be liable for any incidental, indirect or consequential damages arising out of the sale, resale, use or misuse of the product. Users of TE Connectivity products should make their own evaluation to determine the suitability of each such product for the specific application.

© 2020 TE Connectivity | All Rights Reserved.

K1166717 | Version 08/2020