

Ratings

Voltage: 600 V
 Temperature: -40~105 °C
 Flammability: FT2

Conductor

Conductor count: 4
 Gauge: 22 AWG 0.34 mm²
 Material: tinned copper strands
 Strand size: Ø 0.16 mm x 17
 Resistance at 20 °C: 59.4 Ω /km max

Insulator

Material: mPPE
 Color: red, black, white, yellow
 Diameter: Ø 1.3 ±0.10 mm
 Average thickness: 0.26 mm
 Minimum thickness: 0.21 mm
 Resistance at 20 °C: 100 MΩ /km min

Shield

Type: foil
 Material: aluminum mylar
 Coverage: 100%

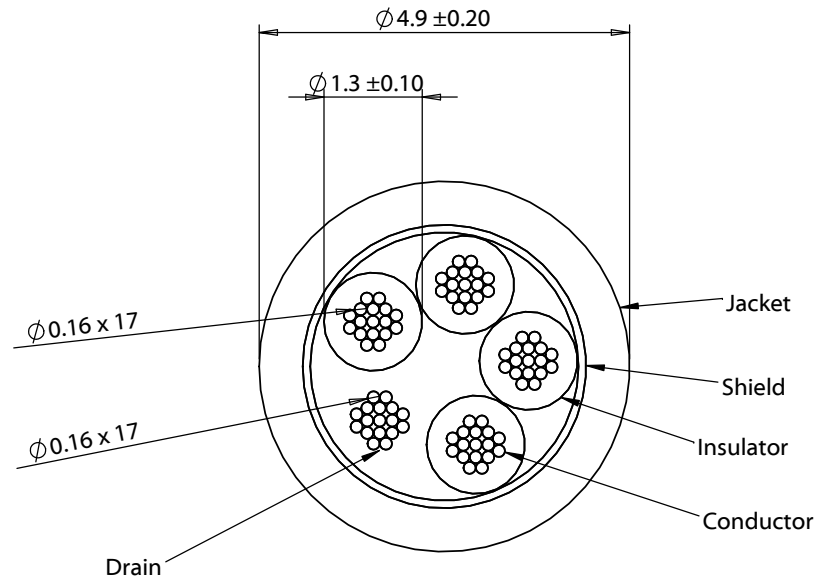
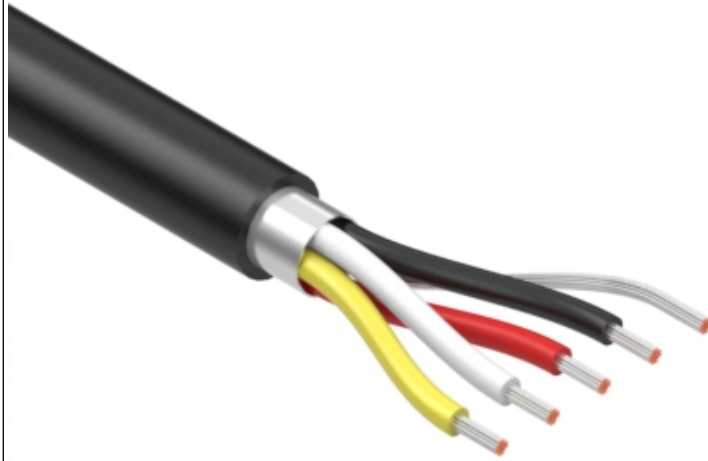
Outer jacket

Material: mPPE, 85A
 Color: black
 Diameter: Ø 4.9 ±0.20 mm
 Average thickness: 0.83 mm
 Minimum thickness: 0.58 mm

Wire marking: E339579 UL AWM STYLE 21509 22 AWG 105°C
 600V --- cUL AWM I A 105°C 600V FT2 TENSILITY

Bend radius

Minimum: 6 times diameter (29.4 mm)



| | | | | | |
|-----------|-----------|-----------------|--|---|---|
| Revision: | Date: | Description: | Prepared: | Notes: RoHS compliant Phthalate and halogen free | TENSILITY tel 1.541.323.3228 800 877.670.7118 fax 1.541.323.4202 web tensility.com |
| A | 4/20/2020 | Initial release | Verified: | | |
| | | | Dimensions are in millimeters. Tolerances: X: ± 0.5 mm X.X: ± 0.3 mm X.XX: ± 0.05 mm | Description: | Size: Part number: |
| | | | | Wire, 4C TS, 22 AWG, 21509, 600V, 105C, 4.9 mm, shielded, FT2, mPPE | A 30-01438 |
| | | | | Scale: 10:1 | Sheet 1 of 1 |

5

4

3

2

1