

THIS DRAWING IS UNPUBLISHED.

RELEASED FOR PUBLICATION

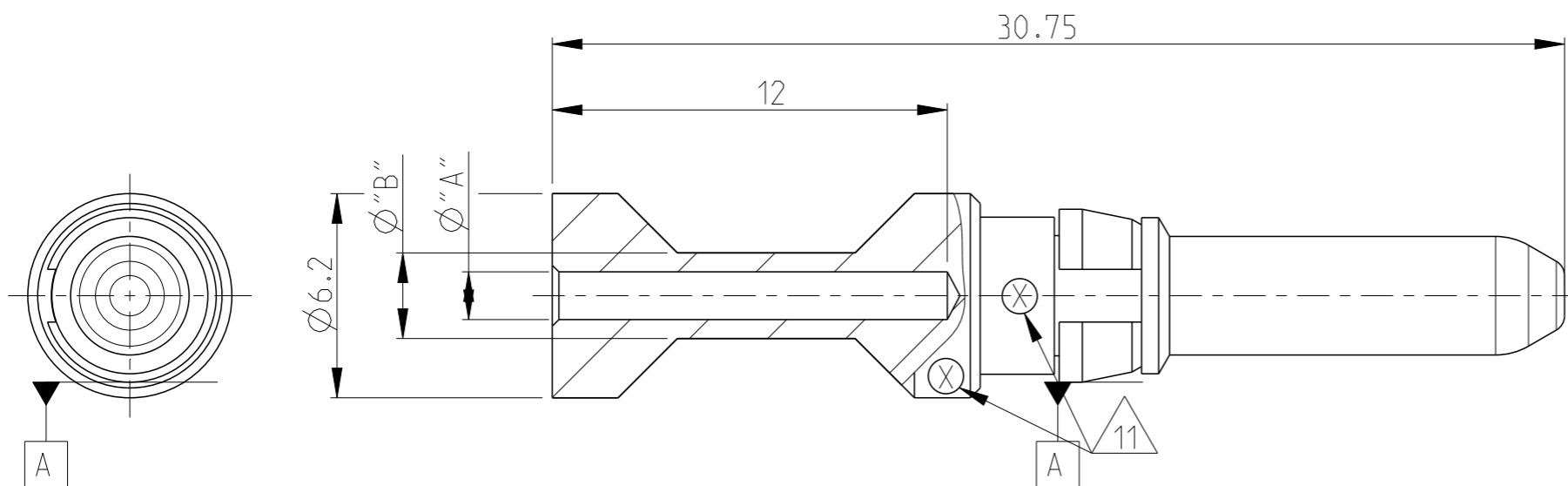
2006

© COPYRIGHT 2006 BY -

ALL RIGHTS RESERVED.

REVISIONS

P	LTR	DESCRIPTION	DATE	DWN	APVD
A2		PN3-2; 5-2; 6-2 OBSOLETE	Eg00-1426-03	17.04.03	SR SM
A3		ECR-09-005436		10MAR2010	VG MH
A4		ECR-16-016696		23AUG2017	GCM MKO
A5		ECR-21-123503		12MAR2022	RK JB



Notes

- 1 MATERIAL: BRASS
- 2 FINISH SILVER PLATING: 2 µm Ag MIN. OVER Cu
- 3 FINISH GOLD PLATING: 0.75 µm Au MIN. OVER Ni
- 4 NO VENTILATION HOLE REQUIRED AT CROSS-SECTION >4.0 MM²
- 5 WEIGHT: 3.33 g, VOLUME: 394mm³ (APPROX.)
- 6 SUITABLE SOCKET CONTACT: CUSTOMER DRAWING 1105251
- 7 SUITABLE INSERTS: SERIES HSM, CUSTOMER DRAWING
- 8 SUITABLE CRIMP TOOL: PN 1-1105850-8
- 9 SUITABLE INSERTION TOOL: PN 0-1102855-6
- 10 SUITABLE EXTRACTION TOOL: PN 0-1102855-4
- 11 CROSS-SECTION MARKING
- 12 STANDARDS: DIN EN 61984, DIN EN 60664-1

ORDERING TEXT	PLATING	CROSS SECTION	DIMENSIONS	CROSS-SECTION MARKINGS	STRIPPING-LENGTH
OBSOLETE HSM.Sti.C.Au 10.0mm ²	GOLD 3	10	4.35	5.9	8
OBSOLETE HSM.Sti.C.Au 6.0mm ²		6.0	3.5	4.9	7
OBSOLETE HSM.Sti.C.Au 4.0mm ²		4.0	2.85	3.9	6
OBSOLETE HSM.Sti.C.Au 2.5mm ²		2.5	2.2	3.2	5
OBSOLETE HSM.Sti.C.Au 1.5mm ²		1.5	1.8	3.0	4
OBSOLETE HSM.Sti.C.Au 0.75mm ²		0.75-1.0	1.45	2.6	3
HSM.Sti.C.Ag 10.0mm ²	SILVER 2	10	4.35	5.9	8
HSM.Sti.C.Ag 6.0mm ²		6.0	3.5	4.9	7
HSM.Sti.C.Ag 4.0mm ²		4.0	2.85	3.9	6
OBSOLETE HSM.Sti.C.Ag 2.5mm ²		2.5	2.2	3.2	5
HSM.Sti.C.Ag 1.5mm ²		1.5	1.8	3.0	4
OBSOLETE HSM.Sti.C.Ag 0.75mm ²		0.75-1.0	1.45	2.6	3
		[MM ²]	"A"	"B"	CROSS-SECTION MARKINGS
					[mm]

PARTS LIST

THIS DRAWING IS A CONTROLLED DOCUMENT.		DWN V.GLUMM 10MAR2010	TE Connectivity	
DIMENSIONS: mm		CHK H.BRAUN 10MAR2010		
TOLERANCES UNLESS OTHERWISE SPECIFIED:		APVD T.SCHNURPFIL 10MAR2010	NAME PIN CONTACT SERIES HSM	
0 PLC ±		PRODUCT SPEC	SIZE A3	CAGE CODE 00779
1 PLC ±		APPLICATION SPEC	DRAWING NO C=1105250	RESTRICTED TO
2 PLC ±		WEIGHT		
3 PLC ±		CUSTOMER DRAWING	SCALE 5:1	SHEET 1 OF 1
4 PLC ±				REV A5
ANGLES ±0.5°				
FINISH 1 2 3				

