

USER'S MANUAL

CLIK-Mate 1.5 Dual Series

Application Product

	Product Name		Part Number
Harness side	PLUG HOUSING		503149 series
	PLUG TERMINAL	Tin Plating	502579 0*00 503429 0000
		Gold plating	502579 1*00 503429 1*00
	APPLICABLE WIRE (※)	502579 series	AWG#24~28
		503429 series	AWG#26~30
APPLICABLE CRIMP TOOL (※)		578047-3000	
PCB side	RECEPTACLE HOUSING ASS'Y	Tin plating	R/A TYPE 503148 series S/T TYPE 503154 series
		Gold plating	S/T TYPE 505406 series

※ For details, please refer to the crimp specification, CS-502579-001, CS-503429-001.

- Please confirm this specification before using the connector.
- The illustrations used in the spec may have a slight difference since they are printed.
- The contents in this spec may change without notice.
- In case there are any questions or comments regarding this spec, please feel free to contact us.



REV.	A	B	C																
SHEET	1~23	1~23	1~23																
REVISE ON PC ONLY				TITLE:															
C	REVISED 111413 '16/12/22 K.SATO			CLIK-Mate 1.5 DUAL ROW CONNECTORS APPLICATION SPECIFICATION															
	THIS DOCUMENT CONTAINS INFORMATION THAT IS PROPRIETARY TO MOLEX ELECTRONIC TECHNOLOGIES, LLC AND SHOULD NOT BE USED WITHOUT WRITTEN PERMISSION																		
REV.	DESCRIPTION																		
DESIGN CONTROL J			STATUS	WRITTEN BY: S.NAKAMURA	CHECKED BY: K.ASAKAWA	APPROVED BY: T.KANEKO	DATE: 2016/01/15												
DOCUMENT NUMBER 5031490000				DOC. TYPE PS	DOC. PART 000	CUSTOMER GENERAL											SHEET 1 OF 23		

INTRODUCTION

1. Storage before usage P-3

2. Instructions during harnessing P-3

3. The name of each part & explanation

 3-1. Plug terminal definitions: 502579, 503429 series P-4

 3-2. Plug housing definitions: 503149 series P-6

4. Crimping

 4-1. Appearance after crimping P-7

 4-2. The non-conformity item P-7

5. Harness processing (crimping wire insertion method in Plug housing)

 5-1. Insertion crimping wire P-12

 5-2. Repair of crimp terminal P-15

6. Banding of harness P-16

7. Recommended packing of cable harness and assemblies P-17

8. Instruction when mating with HDR connector

 8-1. Mating process method P-19

 8-2. Un-mating process method P-20

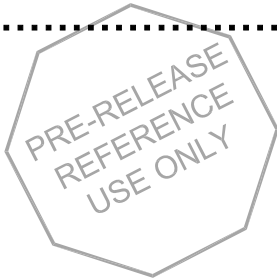
 8-3. Consideration after mating P-21

9. Other P-22

 9-1. Tools and wire to use P-22

 9-2. About rating / a performance standard P-22

 9-3. About to use P-22



REVISE ON PC ONLY		TITLE:			
C	SEE SHEET 1 OF 23	CLIK-Mate 1.5 DUAL ROW CONNECTORS APPLICATION SPECIFICATION			
	REV.	DESCRIPTION	<small>THIS DOCUMENT CONTAINS INFORMATION THAT IS PROPRIETARY TO MOLEX ELECTRONIC TECHNOLOGIES, LLC AND SHOULD NOT BE USED WITHOUT WRITTEN PERMISSION</small>		
DOCUMENT NUMBER 5031490000		DOC. TYPE PS	DOC. PART 000	CUSTOMER GENERAL	SHEET 2 OF 23
EN-127(2015-12)					

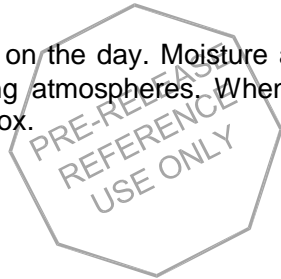
【1. Storage before usage】

- ① Please keep product with the delivery being in a state. And please safekeeping it under normal temperature and humidity where avoid direct sunlight.
- ② Please do not allow external force to be applied during product storage.
- ③ During handling avoid shocking or dropping products as it may result in product damaging.

【2. Instructions during harnessing】

- ① Please confirm products and crimp machine, crimp condition, an applicable wire are equal to product drawing, crimp specifications before work.
- ② Beware of unintended damage caused by dust, debris, or foreign objects before using this product. It cause that cannot satisfy the insertion performance to the housing and electric performance.
- ③ Please do not touch the terminal by a direct hand.
- ④ When a terminal gets twisted or tangled before or after crimping, please do not pull it forcibly. The terminal may become damaged.
- ⑤ Avoid damaging product during work in process or in finishing goods. Product can get damaged and cannot function properly as a connector.
- ⑥ Please do not put a product and an harness half-finished goods in the following condition.
 - Garbage
 - Corrosive material
 - Corrosive gas
 - High temperature and high humidity
 - Direct sunlight

The above-mentioned condition causes poor contact and the corrosion of the terminal and the insulation performance deterioration of the housing.
Please keep for kind attention of the safekeeping to boxes.
- ⑦ Do not damage receptacle crimp housing and a crimp terminal intentionally. Product performance can be affected by this condition.
- ⑧ When opened packing, please use it up on the day. Moisture absorption or drying cause the deterioration of materials by neighboring atmospheres. When cannot use it up, please do sealing of a bag again, and keep it in a box.

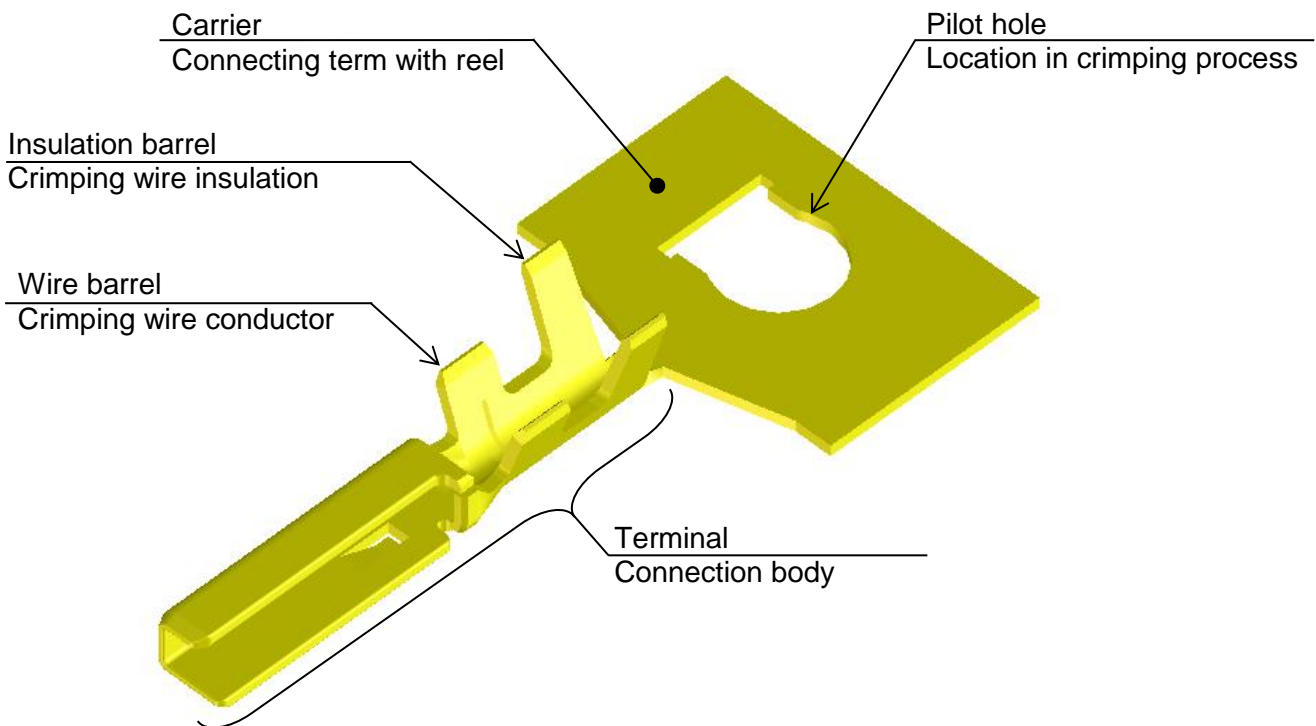


REVISE ON PC ONLY		TITLE:			
C	SEE SHEET 1 OF 23	CLIK-Mate 1.5 DUAL ROW CONNECTORS APPLICATION SPECIFICATION			
	REV.	DESCRIPTION	<small>THIS DOCUMENT CONTAINS INFORMATION THAT IS PROPRIETARY TO MOLEX ELECTRONIC TECHNOLOGIES, LLC AND SHOULD NOT BE USED WITHOUT WRITTEN PERMISSION</small>		
DOCUMENT NUMBER 5031490000		DOC. TYPE PS	DOC. PART 000	CUSTOMER GENERAL	SHEET 3 OF 23
EN-127(2015-12)					

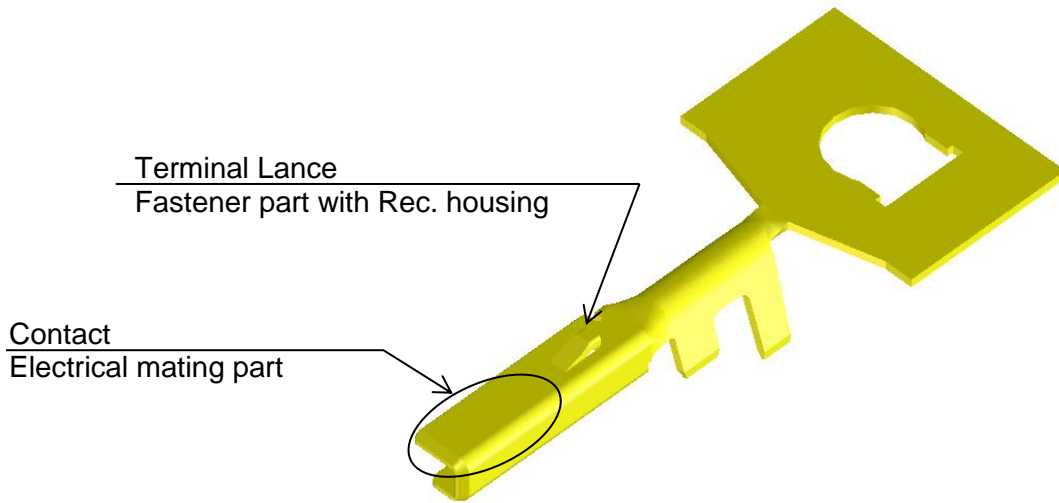
- ⑨ Please be careful to injuries in the edges part such as metal parts when handling a connector.
- ⑩ To avoid injury please be careful in handling of paper between terminals and metal carrier on reels.

【3. The name of each part & explanations】

3-1. Plug terminal definitions: 502579 0*00, 503429 0000 (Tin plating)
502579 1*00, 503429 1*00 (Gold plating)



REVISE ON PC ONLY		TITLE:		
C	SEE SHEET 1 OF 23	CLIK-Mate 1.5 DUAL ROW CONNECTORS APPLICATION SPECIFICATION		
REV.	DESCRIPTION	THIS DOCUMENT CONTAINS INFORMATION THAT IS PROPRIETARY TO MOLEX ELECTRONIC TECHNOLOGIES, LLC AND SHOULD NOT BE USED WITHOUT WRITTEN PERMISSION		
DOCUMENT NUMBER 5031490000		DOC. TYPE PS	DOC. PART 000	CUSTOMER GENERAL
				SHEET 4 OF 23
EN-127(2015-12)				



※ [Please refer to sales drawing](#) for product form and its dimension.
 SD-502579-001, SD-503429-001 (Tin plating)
 SD-502579-002, SD-503429-002 (Gold plating)



REVISE ON PC ONLY		TITLE:		
C	SEE SHEET 1 OF 23	CLIK-Mate 1.5 DUAL ROW CONNECTORS APPLICATION SPECIFICATION		
REV.	DESCRIPTION	<small>THIS DOCUMENT CONTAINS INFORMATION THAT IS PROPRIETARY TO MOLEX ELECTRONIC TECHNOLOGIES, LLC AND SHOULD NOT BE USED WITHOUT WRITTEN PERMISSION</small>		
DOCUMENT NUMBER 5031490000		DOC. TYPE PS	DOC. PART 000	CUSTOMER GENERAL
				SHEET 5 OF 23
EN-127(2015-12)				

3-2. Plug housing definitions :503149 series

Lock protection wall

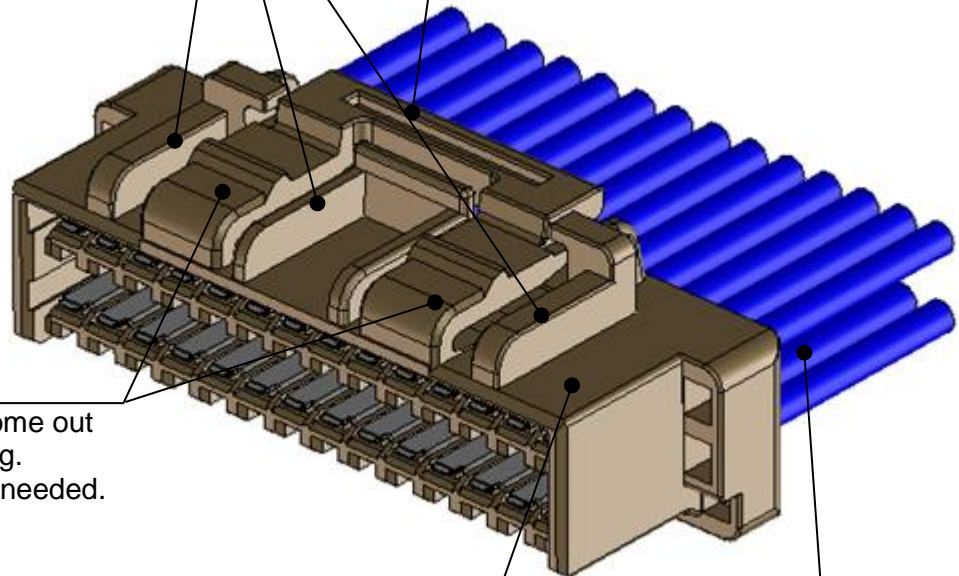
Prevents lock from breaking due to hooking, and pushing.

Lock release position

The position which pushes lock

Positive lock

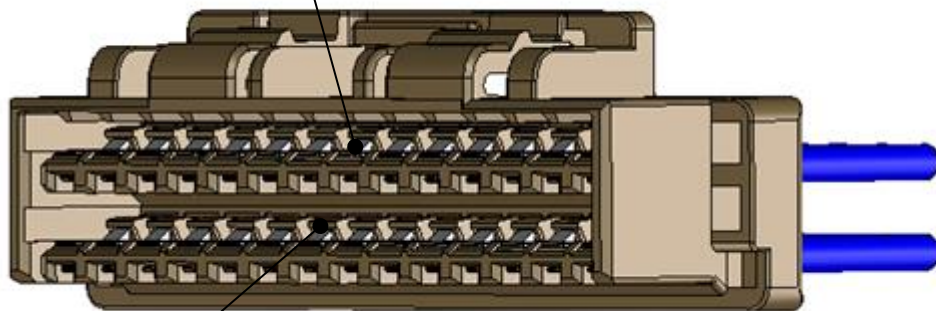
Lock structure not to come out accidentally after mating.
Release lock motion is needed.



Plug TERM.
502579 0*00, 503429 0000 (Tin plating)
502579 1*00, 503429 1*00 (Gold plating)

Plug HS'G.
(503149 series)

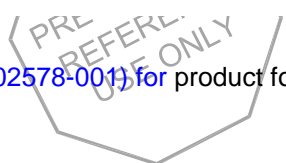
Applicable wire
(AWG#24~#30)



Mold lance

Fastener with terminal lance

※ Please refer to sales drawing ([SD-502578-001](#)) for product form and its dimensions.



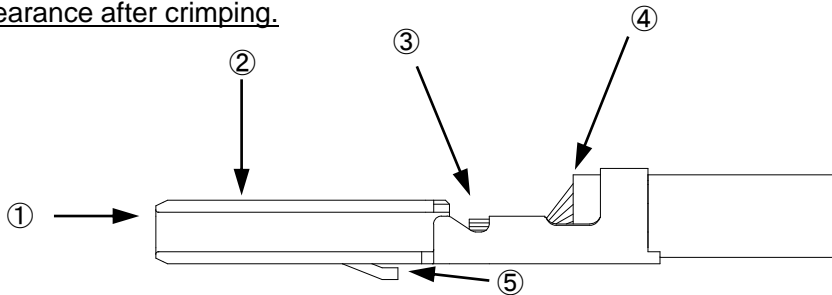
REVISE ON PC ONLY		TITLE:			
C	SEE SHEET 1 OF 23	CLIK-Mate 1.5 DUAL ROW CONNECTORS APPLICATION SPECIFICATION			
	REV.				
DOCUMENT NUMBER 5031490000		DOC. TYPE PS	DOC. PART 000	CUSTOMER GENERAL	SHEET 6 OF 23
EN-127(2015-12)					

【4.Crimping】

The following define the correct appearance and crimping rejects after crimping.

※Please refer to crimping specification (CS-502579-001,CS-503429-001) for detailed crimp height and applicable wire etc.

4-1. Appearance after crimping.



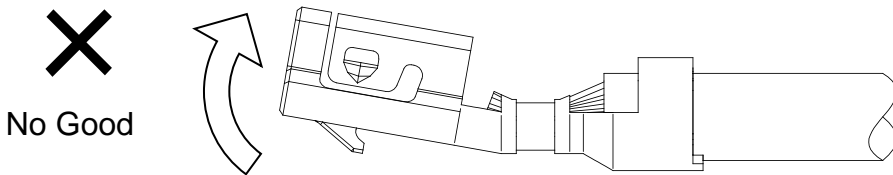
- ① No visible terminal damage.
- ② No visible contact box damage or deformation.
- ③ All wire strands are in conductor barrel.
- ④ The insulator part of the electric wire is located wire barrel and insulation barrel midway.
- ⑤ No damage with terminal lance.
- ⑥ No damage with appearance. (Dirt / foreign objects)

4-2. The non-conformity item (The product shape is examples)

Please warn the arrival crimping delinquent to show as follows in particular. It affect the insertion work and affect a product function.

① Bend up

This makes difficult to insert the terminal into the housing and may cause terminal butting, decrease of terminal retention force or contact failure.



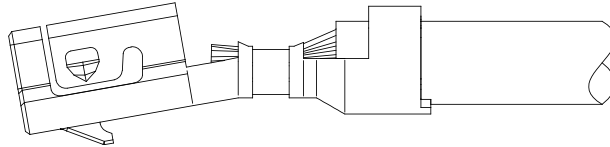
REVISE ON PC ONLY		TITLE:		
C	SEE SHEET 1 OF 23	CLIK-Mate 1.5 DUAL ROW CONNECTORS APPLICATION SPECIFICATION		
REV.	DESCRIPTION	<small>THIS DOCUMENT CONTAINS INFORMATION THAT IS PROPRIETARY TO MOLEX ELECTRONIC TECHNOLOGIES, LLC AND SHOULD NOT BE USED WITHOUT WRITTEN PERMISSION</small>		
DOCUMENT NUMBER 5031490000		DOC. TYPE PS	DOC. PART 000	CUSTOMER GENERAL
				SHEET 7 OF 23

② Bend down

This makes difficult to insert the terminal into the housing and may cause terminal butting, decrease of terminal retention force or contact failure.



No Good

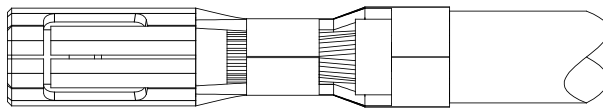


③ Twist

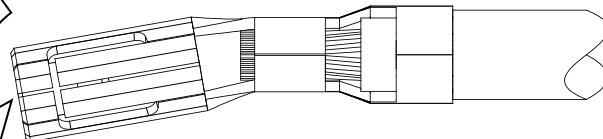
This makes difficult to insert the terminal into the housing and may cause terminal butting, decrease of terminal retention force or contact failure.



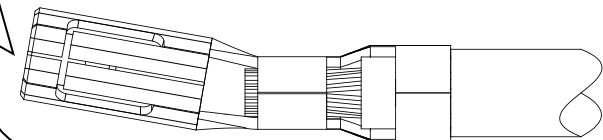
Good



No Good



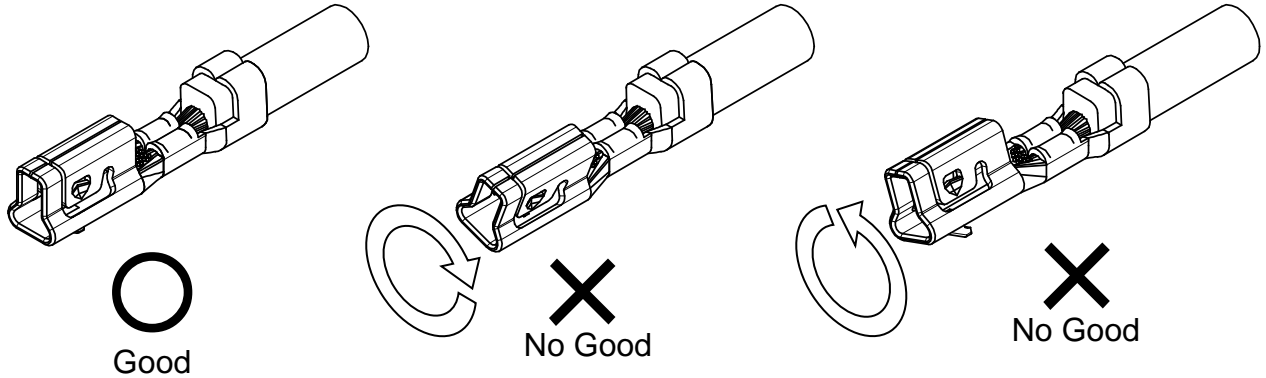
No Good



REVISE ON PC ONLY		TITLE:	
C	SEE SHEET 1 OF 23	CLIK-Mate 1.5 DUAL ROW CONNECTORS APPLICATION SPECIFICATION	
REV.	DESCRIPTION	<small>THIS DOCUMENT CONTAINS INFORMATION THAT IS PROPRIETARY TO MOLEX ELECTRONIC TECHNOLOGIES, LLC AND SHOULD NOT BE USED WITHOUT WRITTEN PERMISSION</small>	
DOCUMENT NUMBER 5031490000		DOC. TYPE PS	DOC. PART 000
		CUSTOMER GENERAL	SHEET 8 OF 23
EN-127(2015-12)			

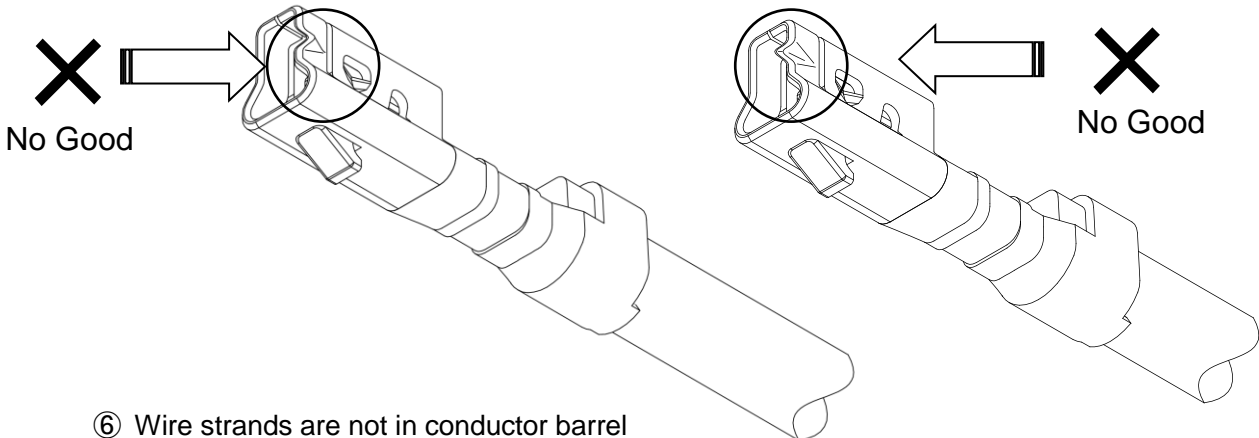
④ Rolling

This makes difficult to insert the terminal into the housing and may cause terminal butting, decrease of terminal retention force or contact failure.



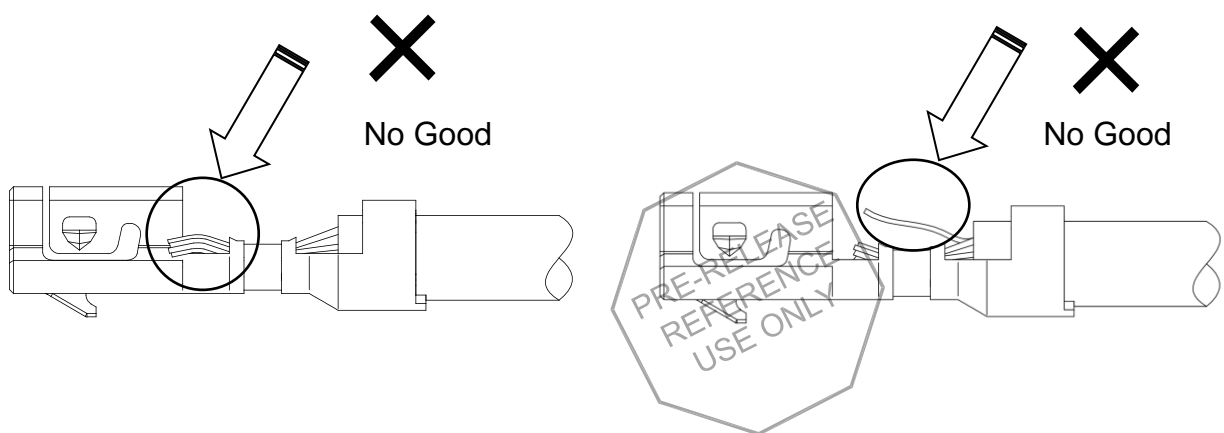
⑤ Crush and deformation of contact area and contact box

It may deteriorate insertion to housing and terminal retention force or cause contact failure.



⑥ Wire strands are not in conductor barrel

This makes difficult to insert the terminal into the housing and may cause contact failure.

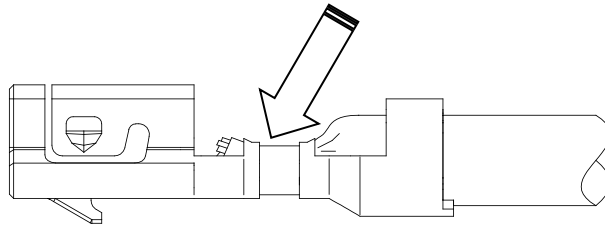


REVISE ON PC ONLY		TITLE:		
C	SEE SHEET 1 OF 23	CLIK-Mate 1.5 DUAL ROW CONNECTORS APPLICATION SPECIFICATION		
REV.	DESCRIPTION	THIS DOCUMENT CONTAINS INFORMATION THAT IS PROPRIETARY TO MOLEX ELECTRONIC TECHNOLOGIES, LLC AND SHOULD NOT BE USED WITHOUT WRITTEN PERMISSION		
DOCUMENT NUMBER 5031490000		DOC. TYPE PS	DOC. PART 000	CUSTOMER GENERAL
				SHEET 9 OF 23
EN-127(2015-12)				

⑦ Crimping position: Too front

This caused cutting conductor, decrease Wire crimping strength and disconnection by crimping insulator.

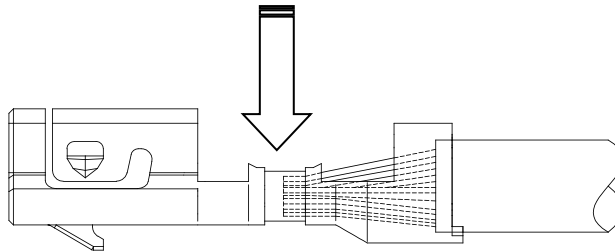
X
No Good



⑧ Crimping position: Too back

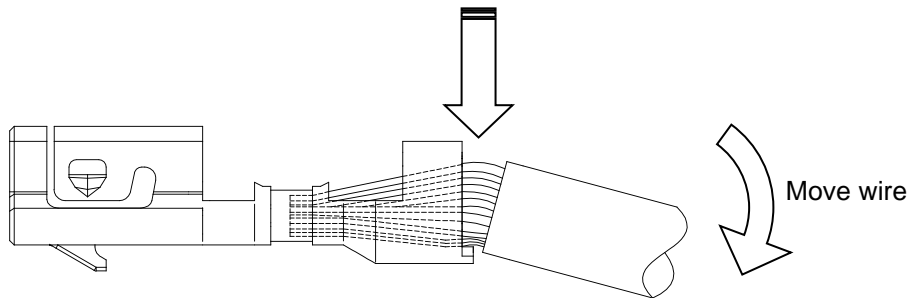
This caused decrease wire crimping strength and disconnection by not crimping margin.

X
No Good



Wire Insulation is not crimping completed, wire insulation fall out easily when wire is pulled.

X
No Good

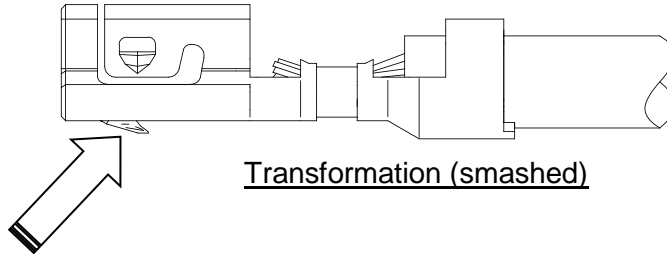


REVISE ON PC ONLY		TITLE:		
C	SEE SHEET 1 OF 23	CLIK-Mate 1.5 DUAL ROW CONNECTORS APPLICATION SPECIFICATION		
REV.	DESCRIPTION	<small>THIS DOCUMENT CONTAINS INFORMATION THAT IS PROPRIETARY TO MOLEX ELECTRONIC TECHNOLOGIES, LLC AND SHOULD NOT BE USED WITHOUT WRITTEN PERMISSION</small>		
DOCUMENT NUMBER 5031490000		DOC. TYPE PS	DOC. PART 000	CUSTOMER GENERAL
				SHEET 10 OF 23
EN-127(2015-12)				

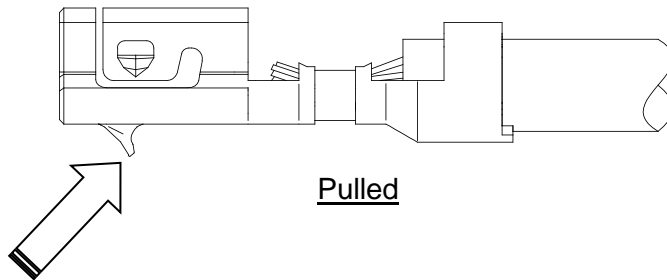
⑨ Not transformation with terminal lance

Fastener tension of the terminal become insufficient and causes the fall of the terminal retention force.

X
No Good



X
No Good



REVISE ON PC ONLY		TITLE:		
C	SEE SHEET 1 OF 23	CLIK-Mate 1.5 DUAL ROW CONNECTORS APPLICATION SPECIFICATION		
REV.	DESCRIPTION	<small>THIS DOCUMENT CONTAINS INFORMATION THAT IS PROPRIETARY TO MOLEX ELECTRONIC TECHNOLOGIES, LLC AND SHOULD NOT BE USED WITHOUT WRITTEN PERMISSION</small>		
DOCUMENT NUMBER 5031490000		DOC. TYPE PS	DOC. PART 000	CUSTOMER GENERAL
				SHEET 11 OF 23
EN-127(2015-12)				

【5. Harness processing (crimping wire insertion method in plug housing)】

Show insertion procedure and instructions (※) of the crimping wire as follows. These figures include single type.

5-1. Insertion crimping wire

- ① Hold plug housing by pinching right and left side.
- ② Please pick up the cable at about 10mm position from the crimp-end with a finger lightly.

Instruction

※It might be hard to insert terminal so that wire is easy to bend if wire is picked at distance from terminal.

※Distance value depends on wire gauge, UL, etc. Please confirm it with the wire that you chosen before you use it.

- ③ Picking with terminal lance part toward center of plug housing, please insert terminal slowly and straightly till the tip of terminal touch housing (with force of around 300~500g). (Fig.5-1)

Instruction

※If crimping height and width are too large, there is a problem for the terminal insertion. Please work by prescribed crimping height. (Please refer to crimping specifications CS-502579-001,CS-503429-001)

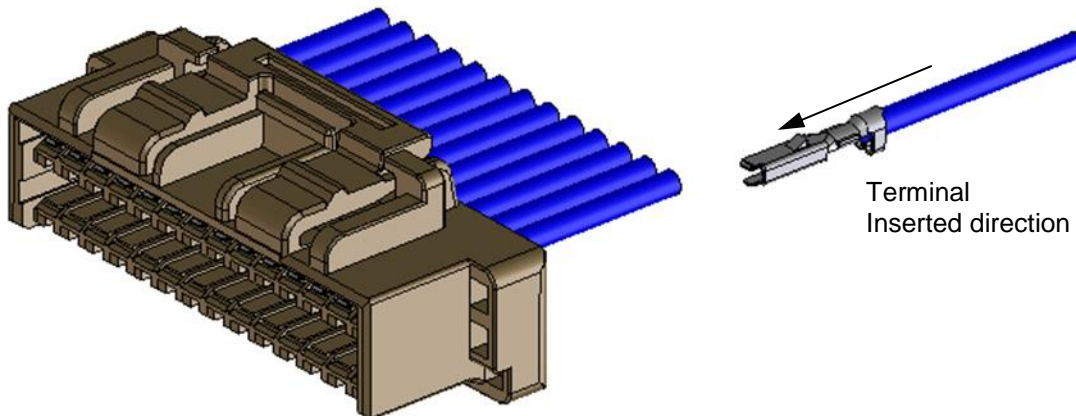


Fig.5-1

REVISE ON PC ONLY		TITLE:			
C	SEE SHEET 1 OF 23	CLIK-Mate 1.5 DUAL ROW CONNECTORS APPLICATION SPECIFICATION			
REV.	DESCRIPTION	<small>THIS DOCUMENT CONTAINS INFORMATION THAT IS PROPRIETARY TO MOLEX ELECTRONIC TECHNOLOGIES, LLC AND SHOULD NOT BE USED WITHOUT WRITTEN PERMISSION</small>			
DOCUMENT NUMBER 5031490000		DOC. TYPE PS	DOC. PART 000	CUSTOMER GENERAL	SHEET 12 OF 23
EN-127(2015-12)					

※If you feel unusual characteristics such as scratches on the way to insertion, please do not attach it forcibly. After confirming there is no damage of terminal or plug housing, it can be inserted again. If damaged, do not use the terminal and plug housing.

※Please be careful of the terminal directions of insertion to plug housing.(Fig.5-2) Please be careful that the terminal is not upside down, not having angle, or not rotated to plug housing. (Fig.5-3) These cause terminal deformation or plug housing damage.

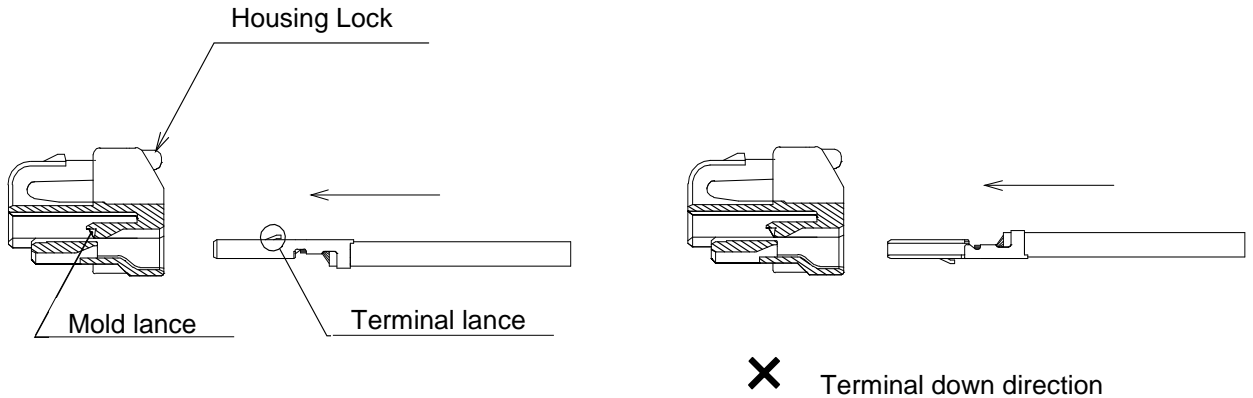


Fig.5-2 ○ Right insertion direction

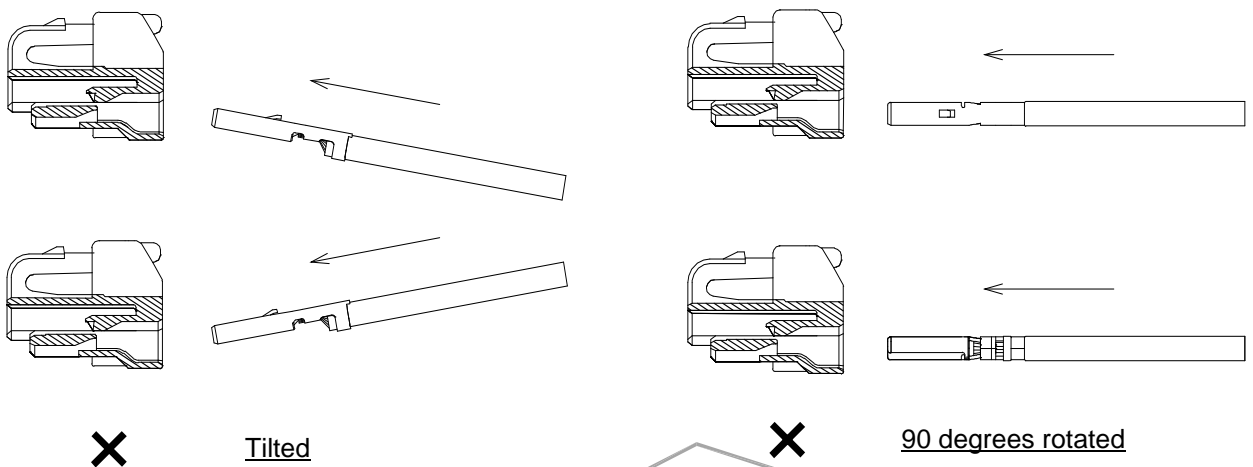
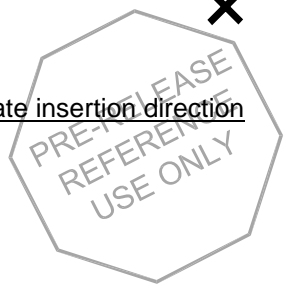


Fig.5-3 Inappropriate insertion direction



REVISE ON PC ONLY		TITLE:			
C	SEE SHEET 1 OF 23	CLIK-Mate 1.5 DUAL ROW CONNECTORS APPLICATION SPECIFICATION			
REV.	DESCRIPTION	THIS DOCUMENT CONTAINS INFORMATION THAT IS PROPRIETARY TO MOLEX ELECTRONIC TECHNOLOGIES, LLC AND SHOULD NOT BE USED WITHOUT WRITTEN PERMISSION			
DOCUMENT NUMBER 5031490000		DOC. TYPE PS	DOC. PART 000	CUSTOMER GENERAL	SHEET 13 OF 23
EN-127(2015-12)					

- ① After inserting terminal, please confirm by pulling wires lightly (with about 100g force) if terminals don't pull out from plug housing.
(Confirmation by excessive tension might break connector.)
- ② After inserting all terminals, please confirm the position of terminal lance part by seeing through window of plug mold lance. If they are inserted correctly, terminal lance is at the position where terminal lance get over mold lance properly and you can confirm clearance by shaking them insertion axially lightly.(Fig.5-4,5-5)

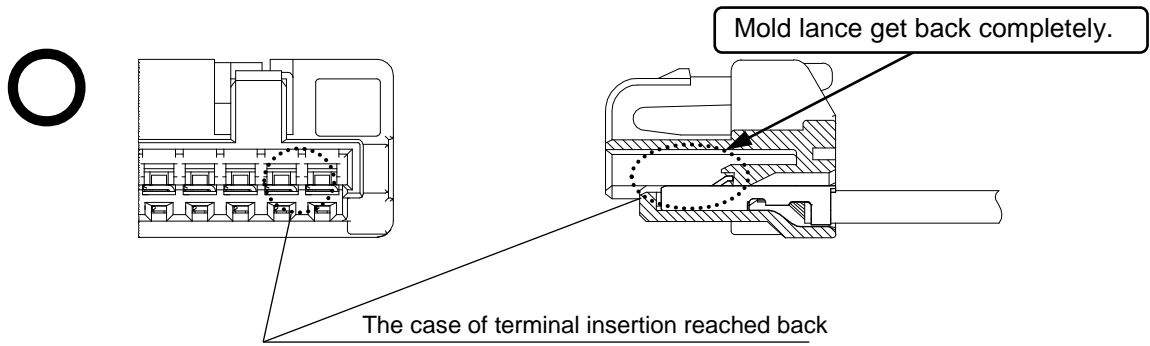


Fig.5-4 The case of correct insertion

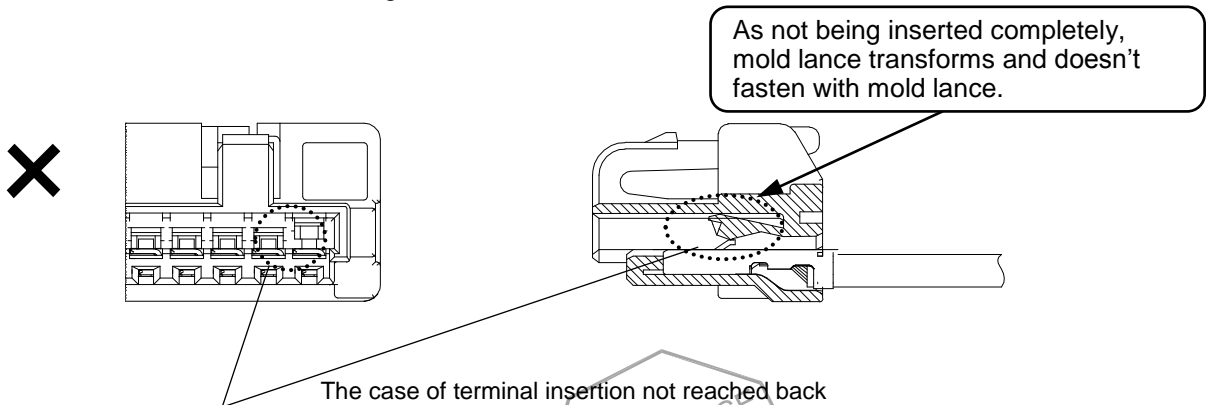
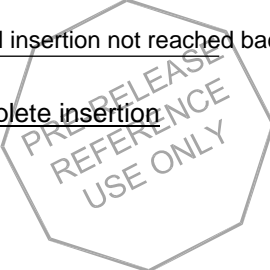


Fig.5-5 The case of incomplete insertion



REVISE ON PC ONLY		TITLE:		
C	SEE SHEET 1 OF 23	CLIK-Mate 1.5 DUAL ROW CONNECTORS APPLICATION SPECIFICATION		
REV.	DESCRIPTION	THIS DOCUMENT CONTAINS INFORMATION THAT IS PROPRIETARY TO MOLEX ELECTRONIC TECHNOLOGIES, LLC AND SHOULD NOT BE USED WITHOUT WRITTEN PERMISSION		
DOCUMENT NUMBER 5031490000		DOC. TYPE PS	DOC. PART 000	CUSTOMER GENERAL
				SHEET 14 OF 23
EN-127(2015-12)				

Instruction

※If terminal is inserted incompletely, terminal lance doesn't fasten with mold lance and terminal is not retained.

※In the state of incomplete insertion(see **Fig.5-5**), terminal lance is transforming utmost. Therefore the retention of harness neglected in this situation might decline although you re-insert the terminal because terminal lance has transformed and not returned to correct position. In this case, please be sure to change new terminal.

- ① When checking harness after processing, please avoid bending wire excessively or using under tension. That might be reason for contact failure because force was added to terminal crimping part or plug housing lance part.
- ② After conductivity testing, do not attach anything besides applicable mating connector. That might be reason for contact failure because of transformation of terminal etc.

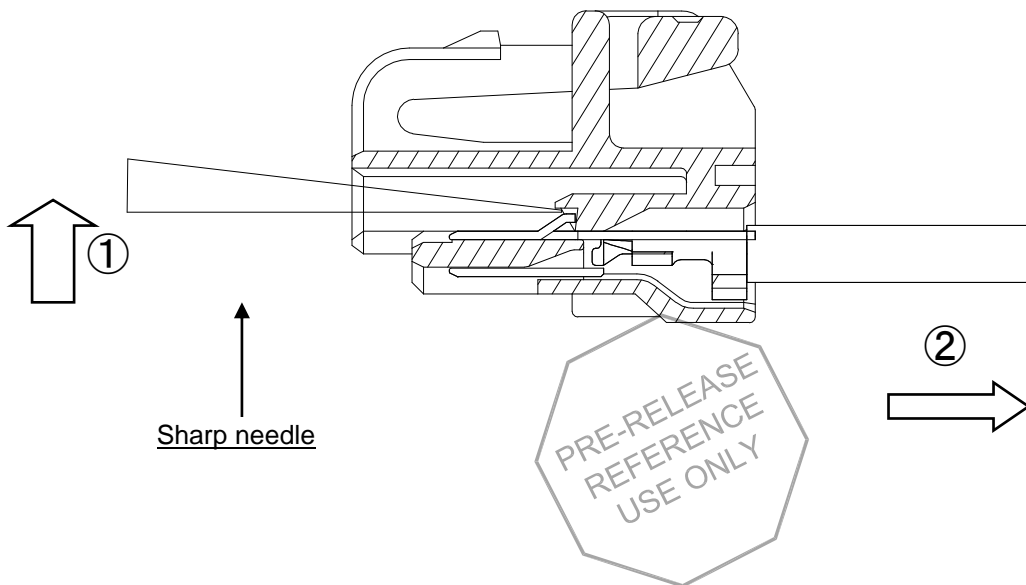
5-2. Repair of crimp terminal

When you withdraw the crimp terminal inserted once, please withdraw it raising mold lance with a sharp something like needle.

However, mold lance transforms by being raised. As strength of the transformed lance decreases extremely, the terminal might come out easily from housing if you insert it again. **Therefore please be sure to change the plug housing to new one when you repair crimp terminal.** And use an appropriate magnifying glass, please repair with caution.

※Please be sure to avoid with drawing terminal by force.

※When repairing, please be careful not to transform or scratch terminal lance.



REVISE ON PC ONLY		TITLE:		
C	SEE SHEET 1 OF 23	CLIK-Mate 1.5 DUAL ROW CONNECTORS APPLICATION SPECIFICATION		
REV.	DESCRIPTION	<small>THIS DOCUMENT CONTAINS INFORMATION THAT IS PROPRIETARY TO MOLEX ELECTRONIC TECHNOLOGIES, LLC AND SHOULD NOT BE USED WITHOUT WRITTEN PERMISSION</small>		
DOCUMENT NUMBER 5031490000		DOC. TYPE PS	DOC. PART 000	CUSTOMER GENERAL
				SHEET 15 OF 23
EN-127(2015-12)				

【6. Banding of harnesses】

When banding harness after processing, please be careful with the following point.

- ① Please band the wires at more than 35mm length from connector and equalize the force to each wires(**Fig.6-1**)
- ② Concerning harness, please consider that only one wire (or particular a few wires) is not added force.(**Fig.6-2**)

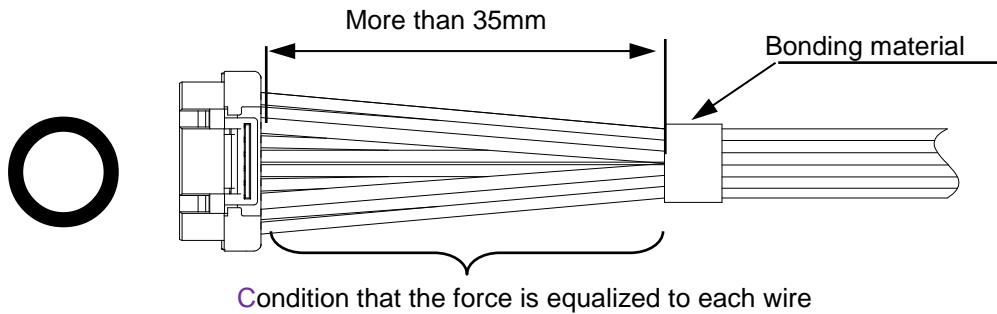


Fig.6-1 Condition that harness is banding properly

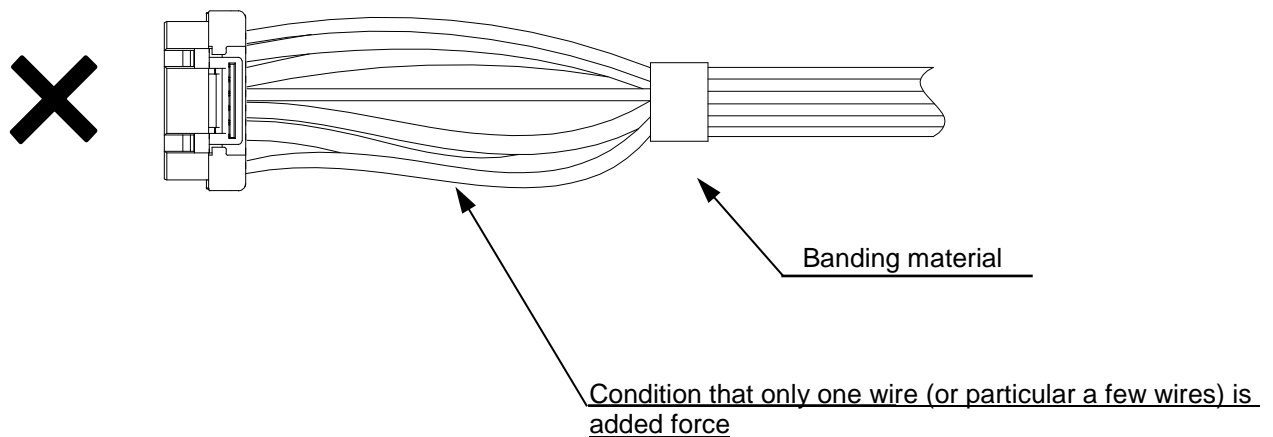
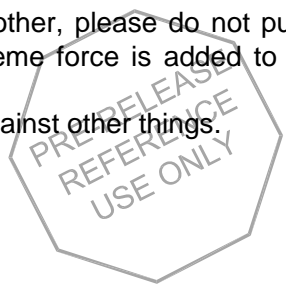


Fig.6-2 Condition that harness is banding improperly

instruction

- ※When harness is in a tangle with each other, please do not pull them excessively. That might cause break of connector because extreme force is added to terminal and it comes out from connector.
- ※Please do not drop the product or hit it against other things.



REVISE ON PC ONLY		TITLE:		
C	SEE SHEET 1 OF 23	CLIK-Mate 1.5 DUAL ROW CONNECTORS APPLICATION SPECIFICATION		
REV.	DESCRIPTION	<small>THIS DOCUMENT CONTAINS INFORMATION THAT IS PROPRIETARY TO MOLEX ELECTRONIC TECHNOLOGIES, LLC AND SHOULD NOT BE USED WITHOUT WRITTEN PERMISSION</small>		
DOCUMENT NUMBER 5031490000		DOC. TYPE PS	DOC. PART 000	CUSTOMER GENERAL
				SHEET 16 OF 23
EN-127(2015-12)				

【7. Recommended packing of cable harness and assemblies】

When packing harness after processing, procedure and instruction (※) are shown below.

- ① Band harness after processing. Please band at most about 20 in one bunch.

Instruction

※ When banding them, in order that wire is not added excessive force constantly please do not use something to constrict strongly, ex. rubber band. Please band the center (one place) with vinyl string. Please take measure to protect connector from shock or load by wrapping each bunch of connector with air packing. **(Fig.7-1)**

When some harness is banded, each connector contact and part of lock might be loaded. In that case, conformation of lock part etc. might cause defective performance because of the situation that lock is down all time.

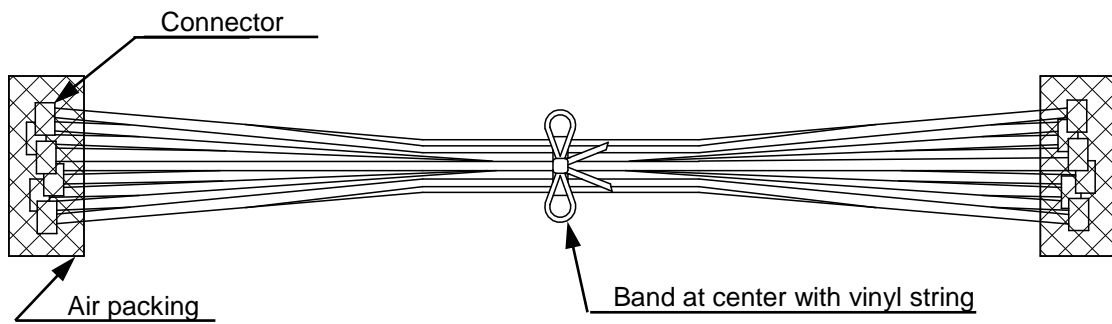


Fig.7-1 blanch of harness



REVISE ON PC ONLY		TITLE: CLIK-Mate 1.5 DUAL ROW CONNECTORS APPLICATION SPECIFICATION			
C	SEE SHEET 1 OF 23				
REV.	DESCRIPTION	THIS DOCUMENT CONTAINS INFORMATION THAT IS PROPRIETARY TO MOLEX ELECTRONIC TECHNOLOGIES, LLC AND SHOULD NOT BE USED WITHOUT WRITTEN PERMISSION			
DOCUMENT NUMBER 5031490000		DOC. TYPE PS	DOC. PART 000	CUSTOMER GENERAL	SHEET 17 OF 23
EN-127(2015-12)					

① Put banded harness into exterior carton.
 Below figure(Fig 7-2) is one of examples recommended reference. Please take measure not to add force to connector for long time by stacking if you pack with another packing method for long harness.

Instruction

※When packing bundle of harness after processing in package box, please follow suggested packaging order and avoid applying excessive weight or force to harnesses. (cross shape) (Fig.7-2 ①)

※Please lay air packing etc. on package box underside. In order that force by piling package boxes etc. is not added to connector for long time, please lay air packing etc. (Fig.7-2 ②)

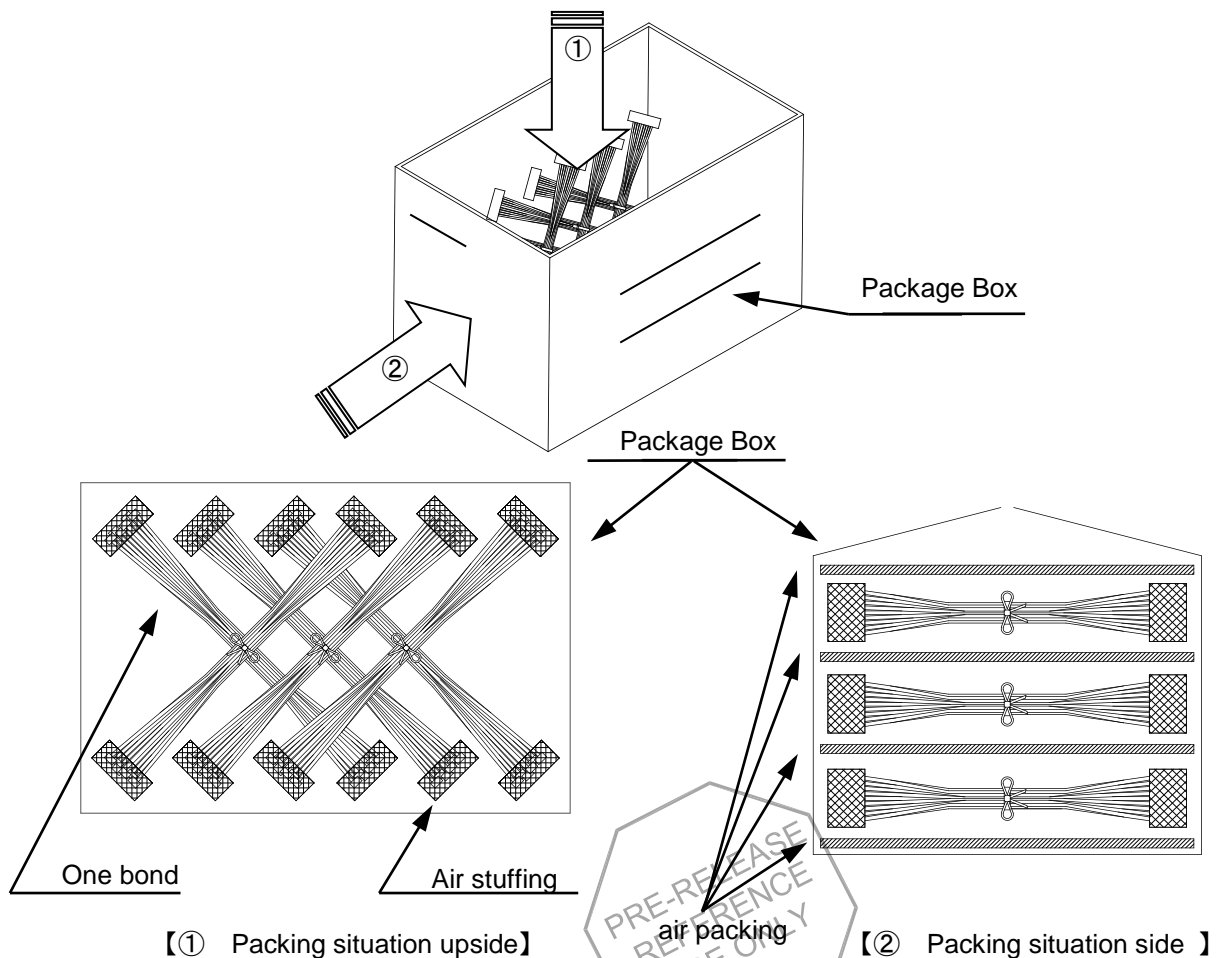


Fig.7-2 Packaging situation

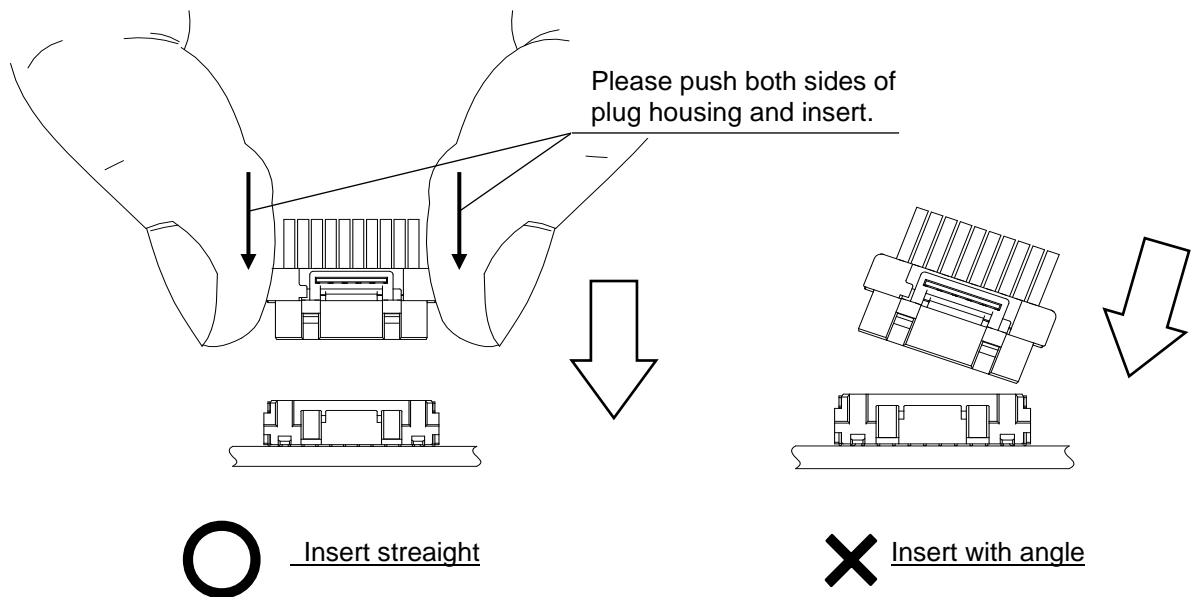
REVISE ON PC ONLY		TITLE:		
C	SEE SHEET 1 OF 23	CLIK-Mate 1.5 DUAL ROW CONNECTORS APPLICATION SPECIFICATION		
REV.	DESCRIPTION	THIS DOCUMENT CONTAINS INFORMATION THAT IS PROPRIETARY TO MOLEX ELECTRONIC TECHNOLOGIES, LLC AND SHOULD NOT BE USED WITHOUT WRITTEN PERMISSION		
DOCUMENT NUMBER 5031490000		DOC. TYPE PS	DOC. PART 000	CUSTOMER GENERAL
				SHEET 18 OF 23
EN-127(2015-12)				

【8. Instruction when mating with HDR connector】

These figures include single type.

8-1. Mating process method

Please meet both mating direction of receptacle housing (harness side) and plug housing (header side), and push plug housing both sides of pitch direction (part shown with arrows) **until both connectors strikes each other (complete mating position)**. And after mating, please confirm that 2 friction locks are fastened completely.

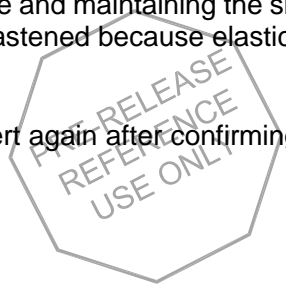


Instruction

※When mating, please do not push positive lock of plug housing. It might cause damage by excessive load as correct movement that lock part get over catching part of mating is avoided.

※Please push plug housing and insert it straightly until they strike each other. This product is designed as follows. Connectors mating should end up in straight direction even if started insertion with an angle. However if you insert it gradually with angle and maintaining the situation artificially, this situation might make the case that only one side lock is fastened because elastic plug housing is inserted conformed. (Especially in multiple circuits)

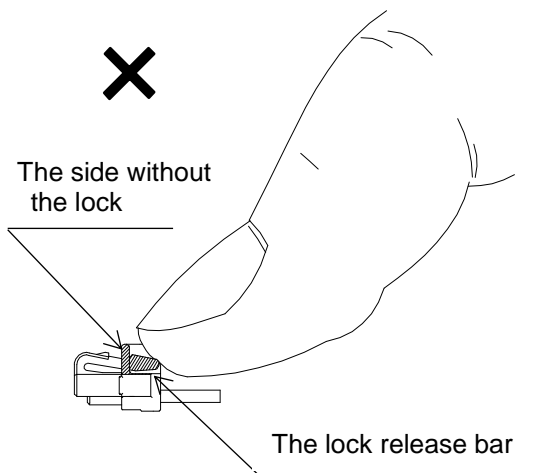
※If you can not insert smoothly, please insert again after confirming transformation of terminal and plug housing etc.



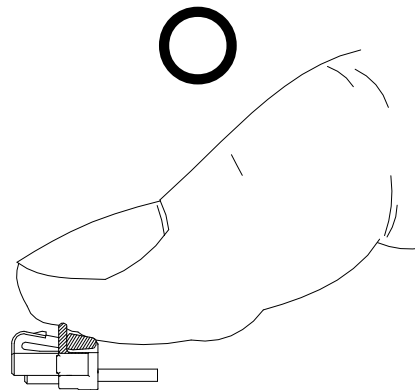
REVISE ON PC ONLY		TITLE:		
C	SEE SHEET 1 OF 23	CLIK-Mate 1.5 DUAL ROW CONNECTORS APPLICATION SPECIFICATION		
REV.	DESCRIPTION	<small>THIS DOCUMENT CONTAINS INFORMATION THAT IS PROPRIETARY TO MOLEX ELECTRONIC TECHNOLOGIES, LLC AND SHOULD NOT BE USED WITHOUT WRITTEN PERMISSION</small>		
DOCUMENT NUMBER 5031490000		DOC. TYPE PS	DOC. PART 000	CUSTOMER GENERAL
				SHEET 19 OF 23
EN-127(2015-12)				

8-2. Un-mating process method

Please hold wires all together lightly. After releasing lock completely by attaching fingers to the lock and pushing bar for releasing lock using flat part of finger, please withdraw receptacle plug slowly, axially and straightly. Please avoid withdrawing them with an angle and roughly. That might cause damage to connector.



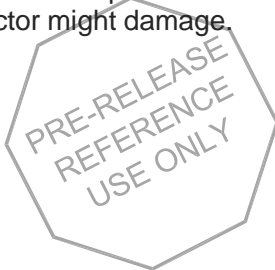
The lock bar is pushed only by the tip of a finger.



The lock release bar is pushed flat of the finger.

NOTE

- ※Please do not withdraw with holding only a few particular wires. As excessive force is applied to particular terminals, the connector might be damaged or a terminal might come off.
- ※When you press the lock removal bar, use your finger cushion and not the tip of your fingers, to avoid nail damage injury.
- ※When withdrawing, please release the lock completely. This product has the structure of connector coming off prevention that depends on positive lock. If you pull off it by force, without the lock releases incompletely, the connector might damage.



REVISE ON PC ONLY		TITLE:		
C	SEE SHEET 1 OF 23	CLIK-Mate 1.5 DUAL ROW CONNECTORS APPLICATION SPECIFICATION		
REV.	DESCRIPTION	<small>THIS DOCUMENT CONTAINS INFORMATION THAT IS PROPRIETARY TO MOLEX ELECTRONIC TECHNOLOGIES, LLC AND SHOULD NOT BE USED WITHOUT WRITTEN PERMISSION</small>		
DOCUMENT NUMBER 5031490000		DOC. TYPE PS	DOC. PART 000	CUSTOMER GENERAL
				SHEET 20 OF 23
EN-127(2015-12)				

8-3. Consideration after mating

Instruction

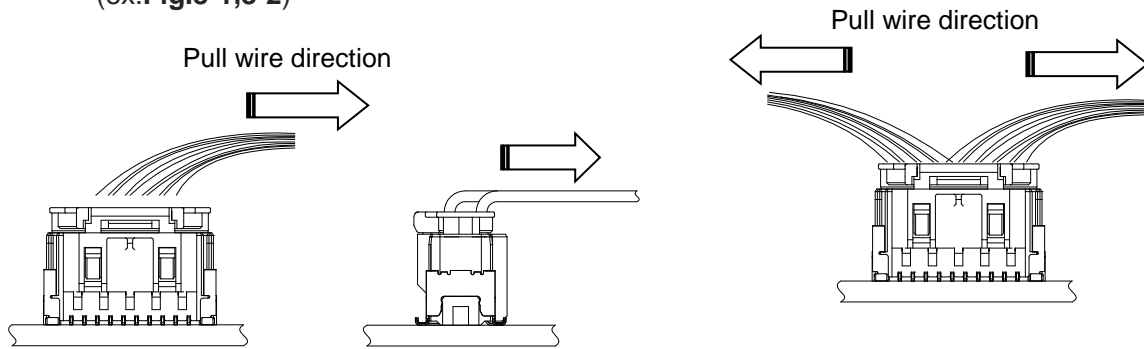
※When pulling wires around inside actual machine, please do not use under the condition that wires are bent excessively or tension is added. That might be reason for terminal pull out because force is added to terminal crimping zone or terminal insertion portion of plug by wire tension. Especially, please be careful force is not added to only particular wire. (Fig.8-1)

※If force is added to one particular wire, wire(crimp terminal) might pull out.

※Wire routing inside customer's device needs to avoid excessive stress. Please avoid pulling them toward more than 2 direction. (Fig.8-2)

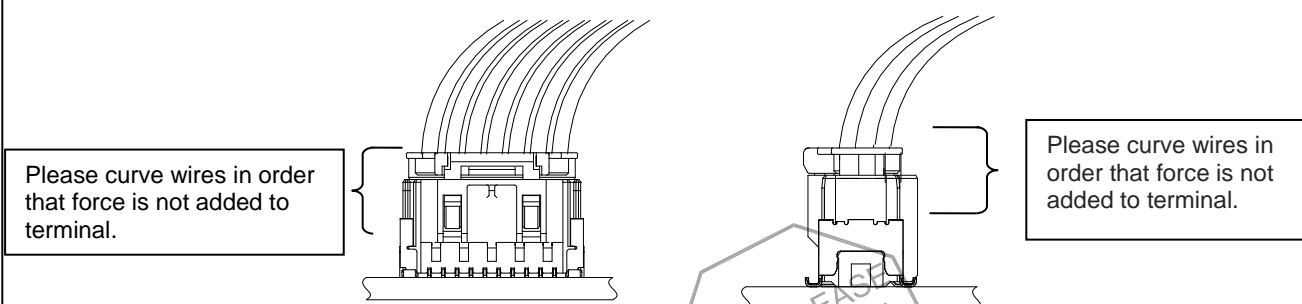
※If you plan pulling around wires inside machine, please take measures to it for example wires have enough curve, and be careful force is not added to connectors directly. (Fig.8-3)

※If you plan on special wiring inside customer's device, please contact us before using. (ex.Fig.8-1,8-2)

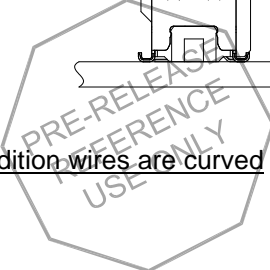


X Fig.8-1 Pull excessively

X Fig.8-2 Pull in more than two directions



O Fig.8-3 Condition wires are curved



REVISE ON PC ONLY		TITLE:		
C	SEE SHEET 1 OF 23	CLIK-Mate 1.5 DUAL ROW CONNECTORS APPLICATION SPECIFICATION		
REV.	DESCRIPTION	<small>THIS DOCUMENT CONTAINS INFORMATION THAT IS PROPRIETARY TO MOLEX ELECTRONIC TECHNOLOGIES, LLC AND SHOULD NOT BE USED WITHOUT WRITTEN PERMISSION</small>		
DOCUMENT NUMBER 5031490000		DOC. TYPE PS	DOC. PART 000	CUSTOMER GENERAL
				SHEET 21 OF 23
EN-127(2015-12)				

【9. Other】

9-1.Tools and wire to use

- ① In case you would like to use different size wire, please let us know in advance since they would not be covered under warranty.
- ② For rejects that occurred by using different tools other than specified in the spec, they would not be covered under warranty.

9-2. About rating / a performance standard.

- ① Please use it within the rating / the standard of product specifications.
- ② Product is not designed for usage in “hot-plug” applications where power is on.
- ③ When considering use of the connector, please confirm that machinery design standards are satisfied. In order to avoid short circuits, please do not allow connectors to contact metal objects.

9-3.About for use.

- ① This product is not designed and produced for the machine used under the condition concerning life or for using to system. If you use this product for special use for example medicine, aeronautics space and atomic power etc., please confirm us before using.
- ② Please contact us without fail before using if you plan to using to automobile and ship etc. (We will consider that the product can be applied to specification condition.)
- ③ Please avoid using outside the room or under similar environment.



REVISE ON PC ONLY		TITLE:		
C	SEE SHEET 1 OF 23	CLIK-Mate 1.5 DUAL ROW CONNECTORS APPLICATION SPECIFICATION		
REV.	DESCRIPTION	<small>THIS DOCUMENT CONTAINS INFORMATION THAT IS PROPRIETARY TO MOLEX ELECTRONIC TECHNOLOGIES, LLC AND SHOULD NOT BE USED WITHOUT WRITTEN PERMISSION</small>		
DOCUMENT NUMBER 5031490000		DOC. TYPE PS	DOC. PART 000	CUSTOMER GENERAL
				SHEET 22 OF 23
EN-127(2015-12)				

