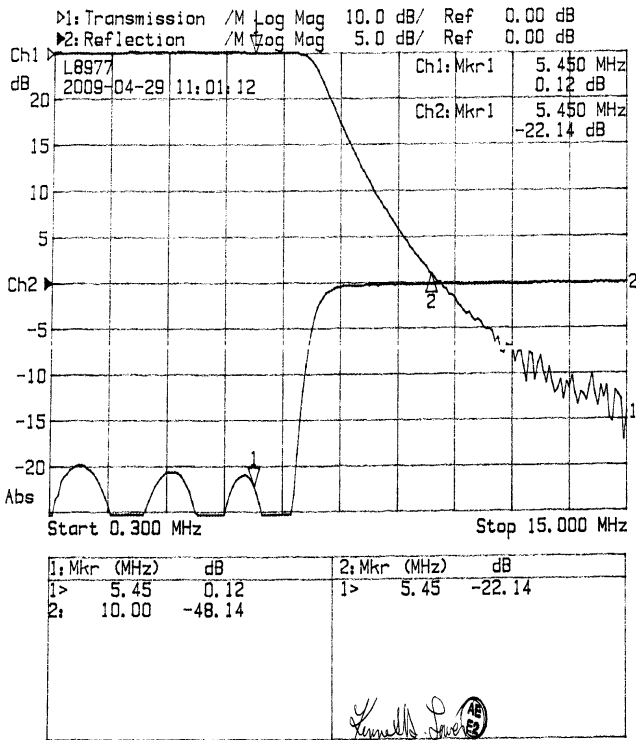




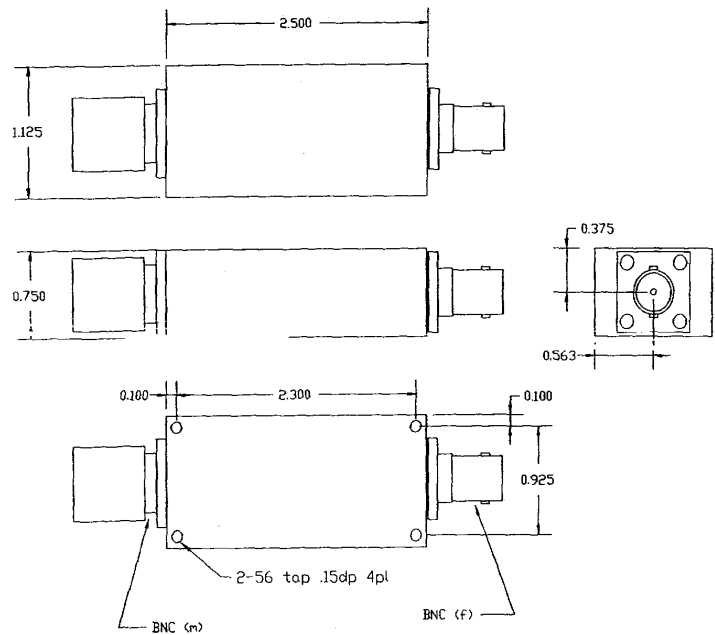
Part Number: AE5L8977
 0-5.45 MHz LC Lowpass Filter

Passband: 0-5.45 MHz
 Insertion Loss: <0.6 dB
 Return Loss: >15 dB
 Rejection: >40 dB @ 10-100 MHz

Response Plot:



Outline Drawing:



DWG 988721 ajs 05/07/07
 Outline Drawing
 Anatech Electronics Inc.
 (988731)