

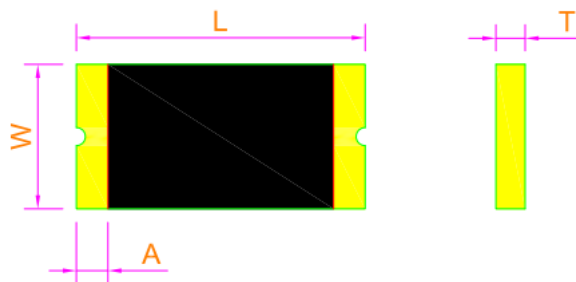
Maswell WiFi/Bluetooth Chip Antenna

AN_W_CA_5020_M01

1、 Introduction

Maswell Microwave Chip Antenna series are designed to be used in WLAN、 WiFi、 Bluetooth、 PHS applications. All the models are of compact size and are engineered for SMD chip design.

2、 Dimensions 5020 Foot Print (Unit: mm)

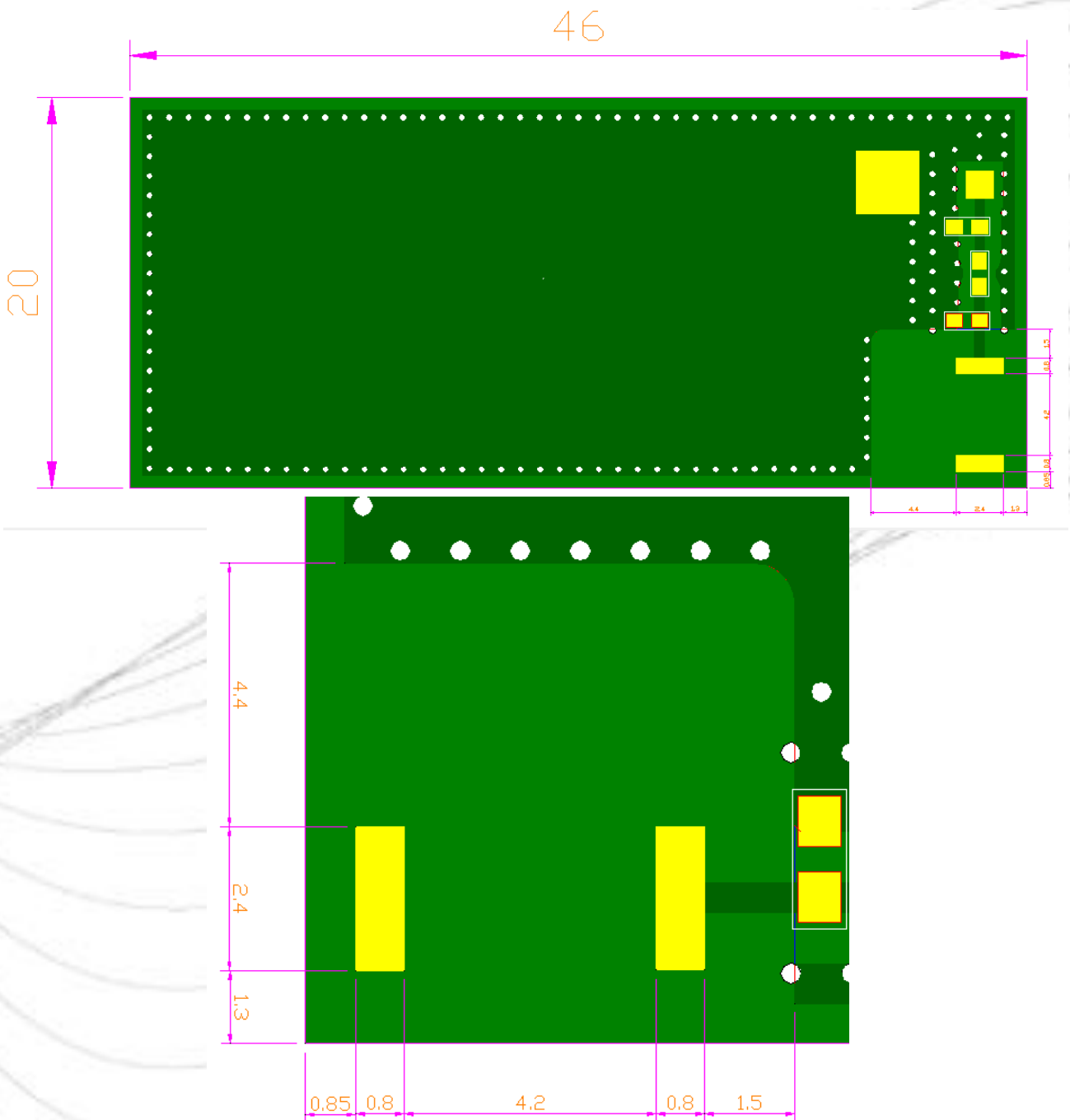


Dimension(mm)	
L	5.0
W	2.0
T	1.0
A	0.5

Maswell WiFi/Bluetooth Chip Antenna

AN_W_CA_5020_M01

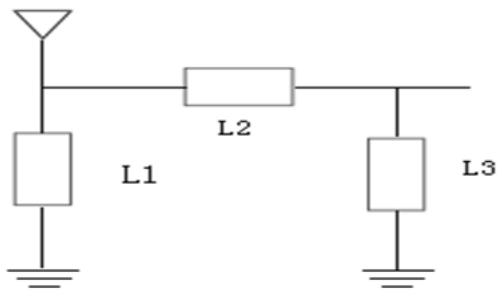
3、Evaluation Board and Matching Circuits 5020 Foot Print



Maswell WiFi/Bluetooth Chip Antenna

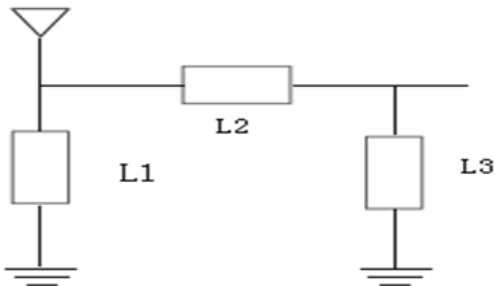
AN_W_CA_5020_M01

3.1 Type 1



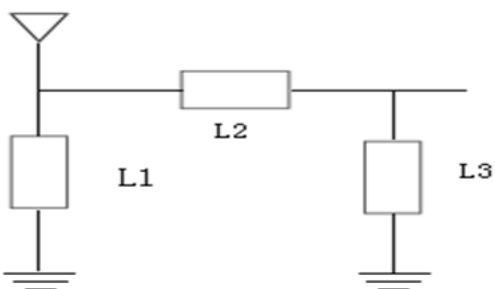
Location	Description
L1	9.1NH
L2	10PF
L3	/

3.2 Type 2



Location	Description
L1	/
L2	1.5NH
L3	/

3.3 Type 3



Location	Description
L1	/
L2	0Ω
L3	/

Maswell WiFi/Bluetooth Chip Antenna

AN_W_CA_5020_M01

4、Electrical Characteristics

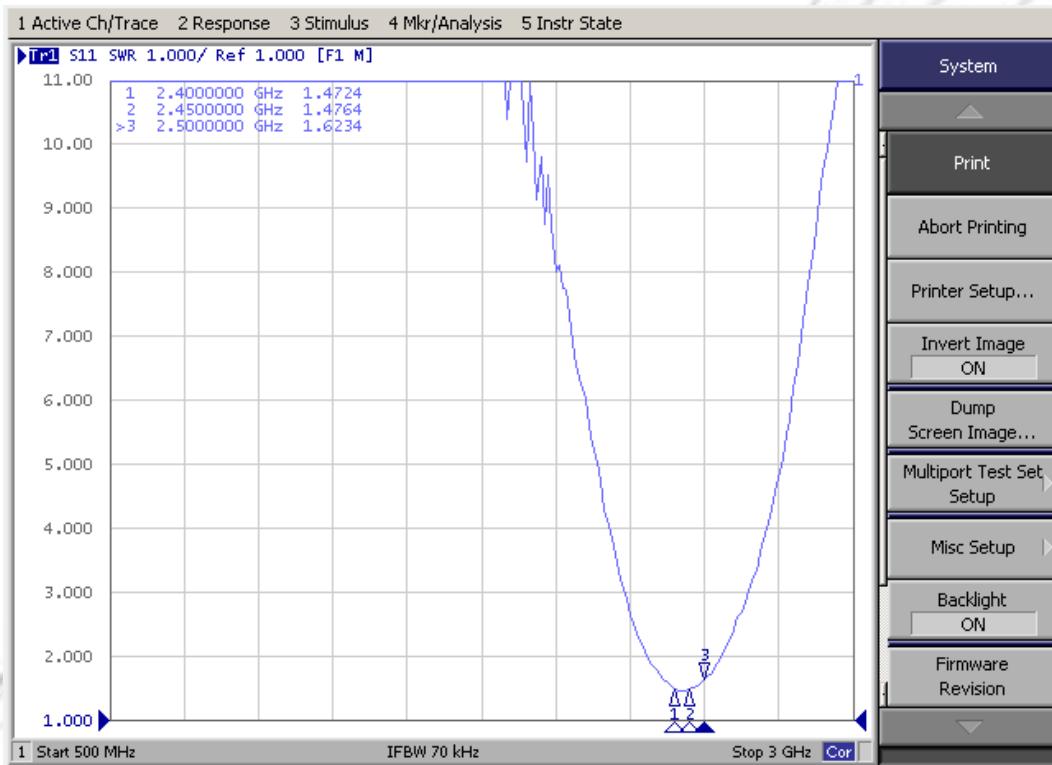
No.	Item	Specifications
1	After Matching	2400~2500MHz
2	Band Width	100MHz typ.
3	Peak Gain	2dBi
4	V.S.W.R	≤ 2.0
5	Polarization	Linear
6	Azimuth Beam Width	Omni-directional
7	Impedance	50 Ω

Maswell WiFi/Bluetooth Chip Antenna

AN_W_CA_5020_M01

5、Return Loss

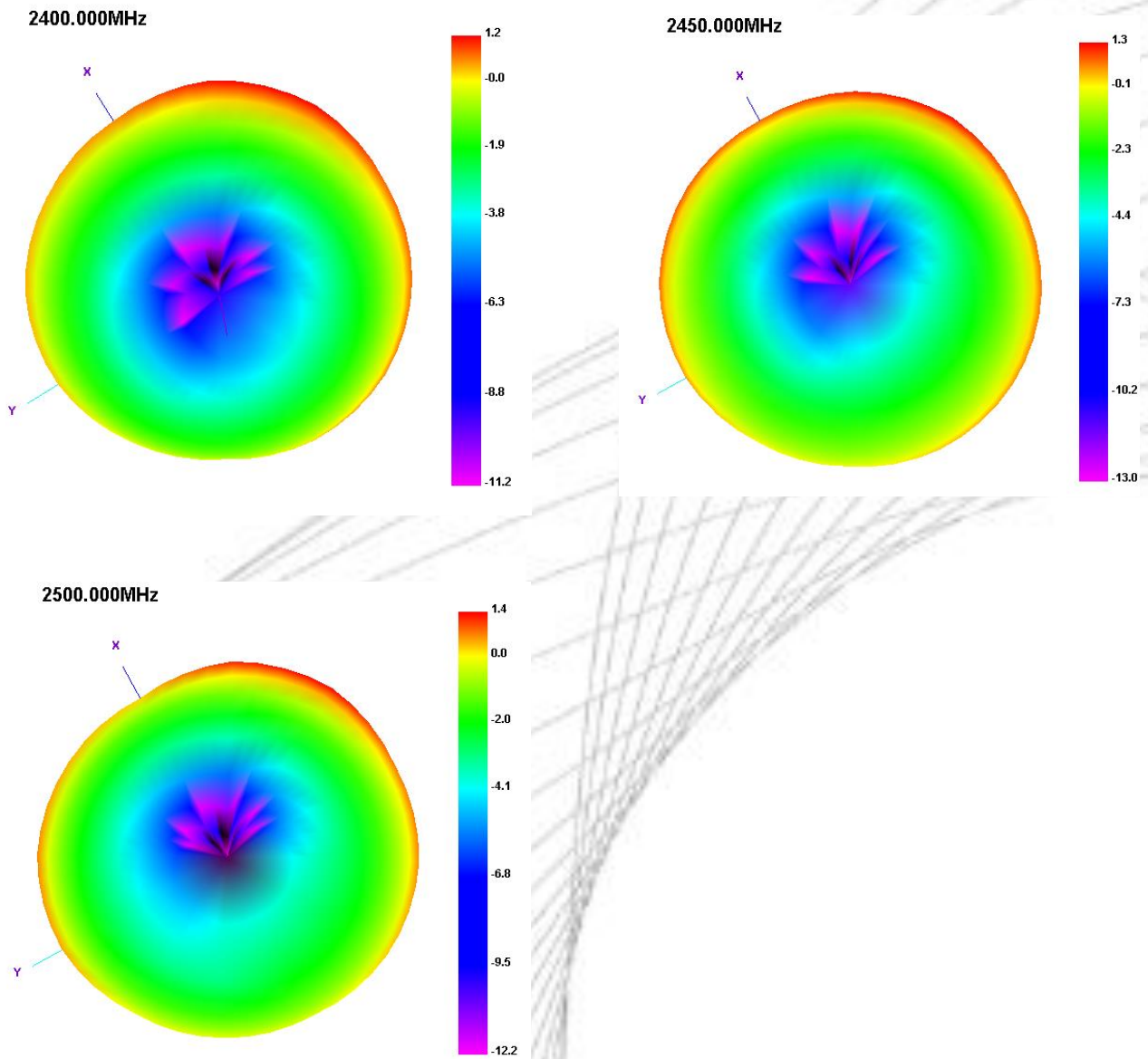
Reference for frequency tuning element



Maswell WiFi/Bluetooth Chip Antenna

AN_W_CA_5020_M01

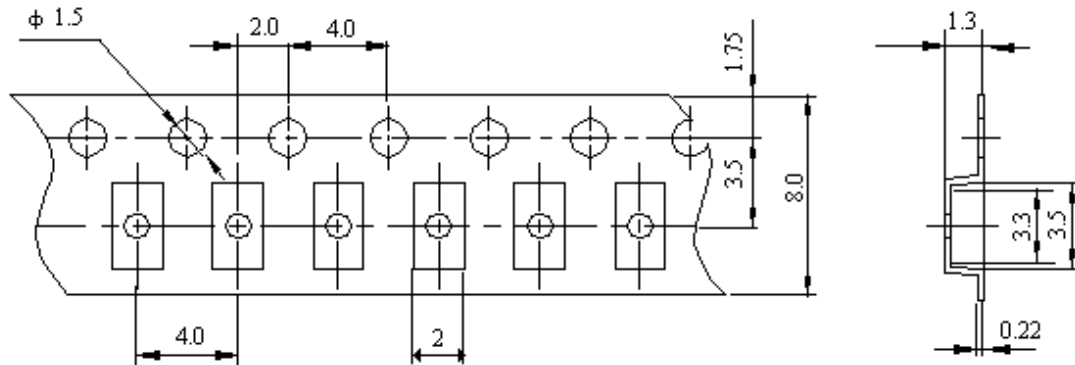
6、Radiation Patterns



Maswell WiFi/Bluetooth Chip Antenna

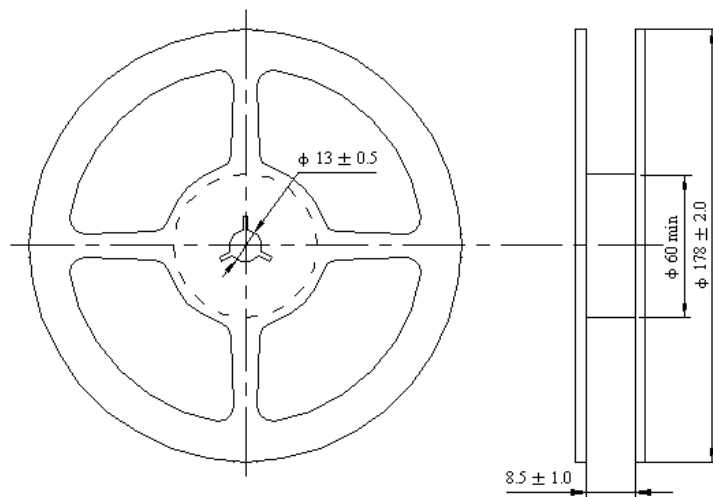
AN_W_CA_5020_M01

7、Packaging and Dimensions



Remarks for Package:

Reserve a length of 150~200mm for the trailer of the carrier and 250~300 mm for the leader of the carrier and further 250mm of cover tape at the leading part of the carrier.



Storage Period:

Oxidizable, 60 months in vacuum sealed bag . Material, please repack within 168 hours by re-seal the package treatment after use them.

Storage Temperature Range : <30 degree C, Humidity : <60%RH