

**SPECIFICATION**  
**MATERIAL:** LCP Black  
**Insulator:** LCP Black  
**Contacts:** BRASS  
**Shell:** Steel  
**CONTACT PLATING**  
 Underplate: 80u"~160u" Nickel  
 Contact area: 30u"Pd~Ni+2u" Selective gold,  
 Solder tails area: 100u"~200u" Tin (Lead Free)  
**ELECTRICAL**  
 Operation voltage: 5 V  
 Current rating: 3 Amps max.  
 Insulation resistance: 100 Mohms min @ 100 VDC  
 Dielectric withstanding voltage: 100 VAC / min  
 Temperature range: -25°C TO +105°C  
 Mating cycles: 10,000 insertions  
**PACKING STYLE:**  
 AUSB1-DFN-PTP1:TRAY  
 AUSB1-DFN-PTR1:Top&ReelStandard-800Pcs

**RoHS compliant**  
 Unit: mm

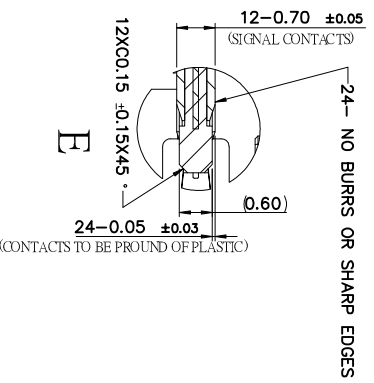
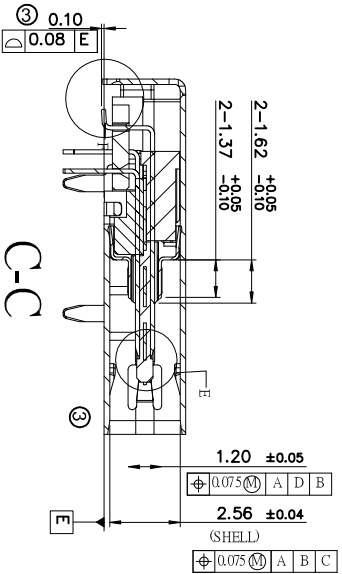
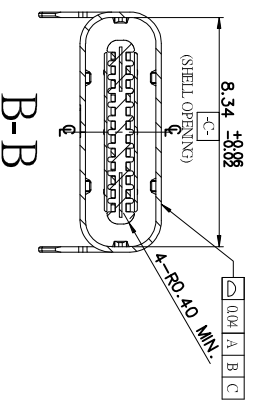
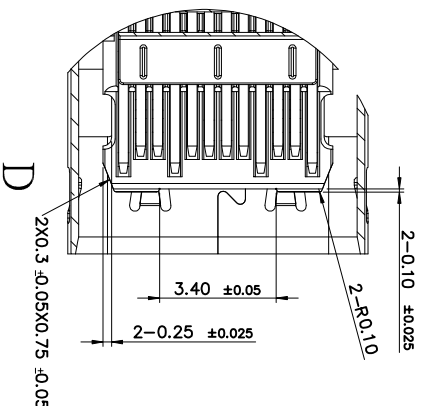
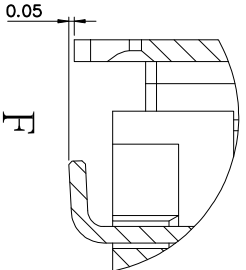
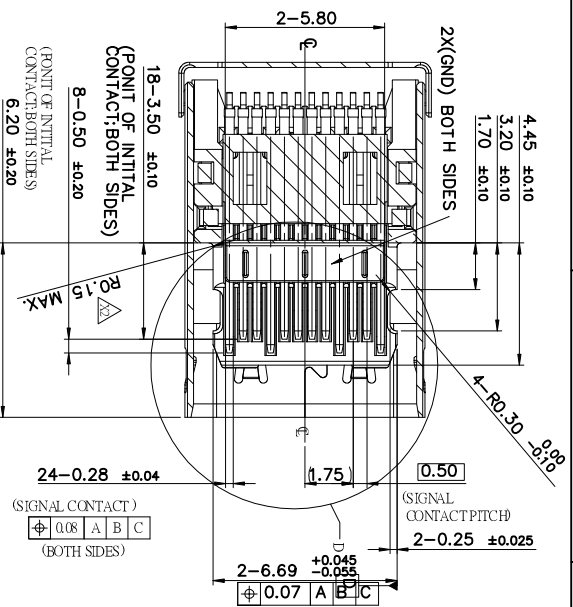
Scale	Free	
<b>TOLERANCE</b>		
X.	±0.30	
X.X	±0.20	
X.XX	±0.10	
<b>DIM</b>	<b>TOL</b>	
X.°	±2°	
<b>Angle</b>	<b>TOL</b>	

Id.	Modification	Date	Name
①	Add the P/N:AUSB1-DFN-PTR1	26.01.2015	Winnie
②	Update the material for the insulator	04.02.2015	Winnie
③	Add the dimension the PCB Layout	27.04.2015	Winnie
④	Drawn	24.11.2014	Winnie

Date	Name	Customer-No.
24.11.2014	Winnie	ASSMANN WSW-No.
27.04.2015	Winnie	AUSB1-DFN-PTP1
		AUSB1-DFN-PTR1

Drawing-No.	Replace	Sheet
ASS 6658 CO		1/3

**ASSMANN**  
 WSW components



**RoHS compliant**  
Unit: mm

Scale	Free		
TOLERANCE			
X.	±0.30		
X.X	±0.20		
X.XX	±0.10		
DIM	TOL		
X.°	±2°		
Angle	TOL		

Id.	Modification	Date	Name
①	Add the P/N: AUSB1-DFN-PTP1	26.01.2015	Winnie
②	Update the material for the insulator	04.02.2015	Winnie
③	Add the dimension the PCB layout	27.04.2015	Winnie
④	Drawn	24.11.2014	Winnie

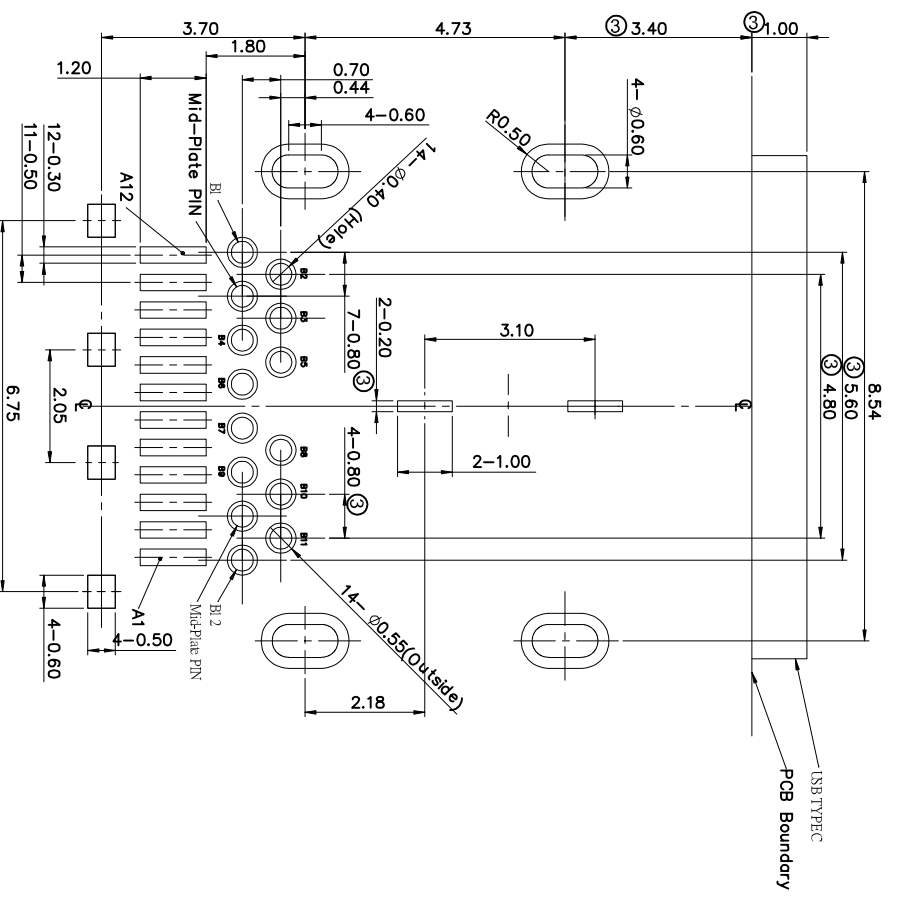
**ASSMANN**  
components

Customer-No.  
ASSMANN WSW-No.  
AUSB1-DFN-PTP1  
AUSB1-DFN-PTP1

Drawing-No.  
ASS 6658 CO

rev03

1	2	3	4	5	6	7
H	G	F	E	D	C	B
1	2	3	4	5	6	7
H	G	F	E	D	C	B
SV3725						



USB TYPE - C Pin Assignments

Pin Number	Signal Name	Pin Number	Signal Name
A1	GND	B12	GND
A2	SSTXp1	B11	SSRXp1
A3	SSTXn1	B10	SSRXn1
A4	VBUS	B9	VBUS
A5	CC1	B8	SBU2
A6	Dp1B	B7D	n2
A7	Dn1B	B6D	p2
A8	SBU1	B5	CC2
A9	VBUS	B4	VBUS
A10	SSRXn2	B3	SSTXn2
A11	SSRXp2	B2	SSTXp2
A12	GND	B1	GND

Recommended PCB LAYOUT  
TOLERANCE ±0.05  
PCB Thickness = 1.00mm

**RoHS compliant**  
Unit: mm

Scale	Free				
TOLERANCE					
X.	±0.30				
X.X	±0.20				
X.XX	±0.10				
DIM	TOL				
X.°	±2°				
Angle	TOL				
		Id.	Modification	Date	Name
		①	Add the P/N: AUSB1-DFN-PTP1	26.01.2015	Winnie
		②	Update the material for the insulator	04.02.2015	Winnie
		③	Add the dimension the PCB Layout	27.04.2015	Winnie
				24.11.2014	Winnie

**ASSMANN**  
components

Customer-No.	Drawing-No.	Replace	Sheet
ASSMANN WSW-No.	AUSB1-DFN-PTP1	ASS 6658 CO	rev03
	AUSB1-DFN-PTR1		

1	2	3	4	5	6	7	A
1	2	3	4	5	6	7	B
1	2	3	4	5	6	7	C
1	2	3	4	5	6	7	D
1	2	3	4	5	6	7	E
1	2	3	4	5	6	7	F
1	2	3	4	5	6	7	G
1	2	3	4	5	6	7	H