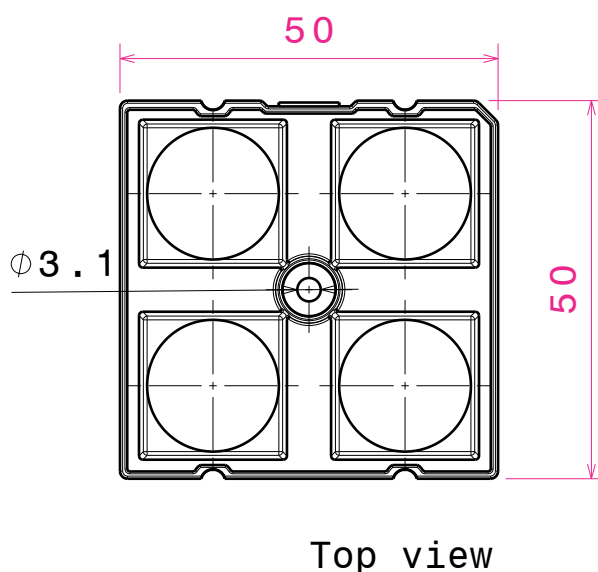
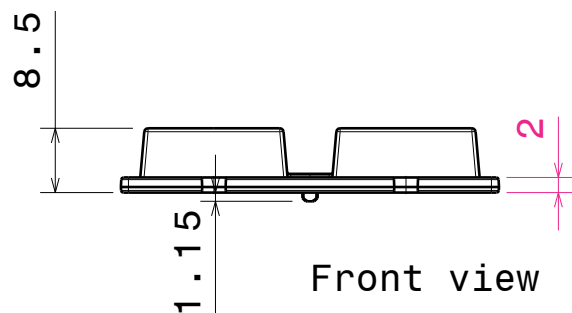
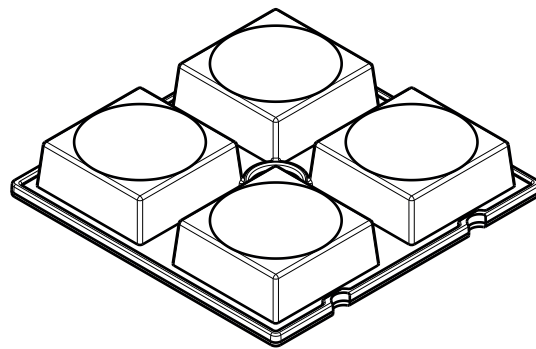
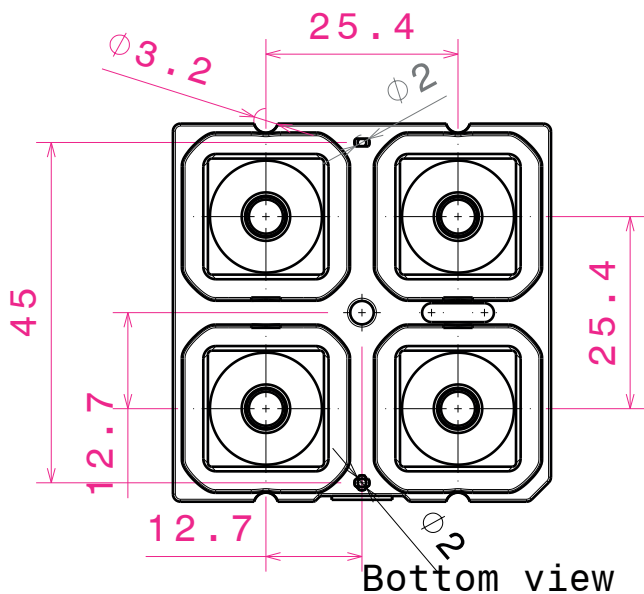


D

C

B

A



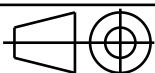
INDEX	PART NO	DESCRIPTION	MATERIAL	COLOUR
1	C14990	HB-2X2-M-PC	PC	CLEAR

Plastic moulding general tolerances according to DIN 16901-130 and applies if not otherwise shown in the drawing.
Silicone moulding general tolerances according to ISO 3302-1 Class M3 and applies if not otherwise shown in the drawing.

LEDiL

Ledil Oy
Salorankatu 10
FIN 24240 SALO
Finland

THIRD ANGLE PROJECTION:



DRAWING TITLE

HB-2X2-M-PC

This drawing is the property of LEDiL Oy. It may not be reproduced, copied or communicated without a written agreement with LEDiL Oy."

SIZE

A4

C14990

SCALE

1:1 WEIGHT

SHEET

1/1

D

A