

# CGJ3E1X7R0J155K080AC

TDK Item Description : CGJ3E1X7R0J155KT\*\*\*\*

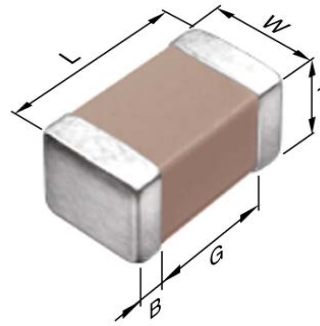


## Application & Main Feature

High Reliability Grade ( General (Up to 50V) )

## Series

CGJ3(1608) [EIA CC0603]



## Dimensions

L 1.60mm +/-0.1mm  
 W 0.80mm +/-0.1mm  
 T 0.80mm +/-0.1mm  
 B 0.20mm Min.  
 G 0.30mm Min.

## Temperature Characteristic

X7R (-55 to 125 degC +/-15%)

## Rated Voltage

0J (6.3Vdc)

## Capacitance

1.5uF

## Capacitance Tolerance

K (+/-10%)

## Dissipation Factor

10% Max.

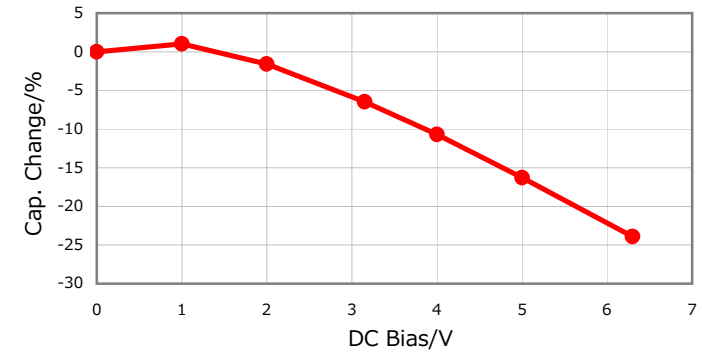
## Insulation Resistance

66Mohm Min.

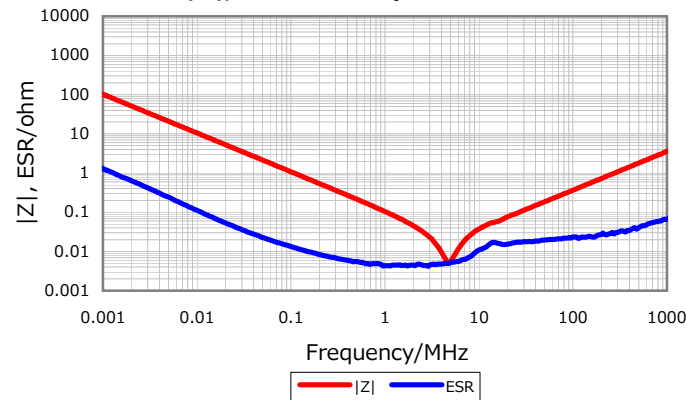
## AEC-Q200

Yes

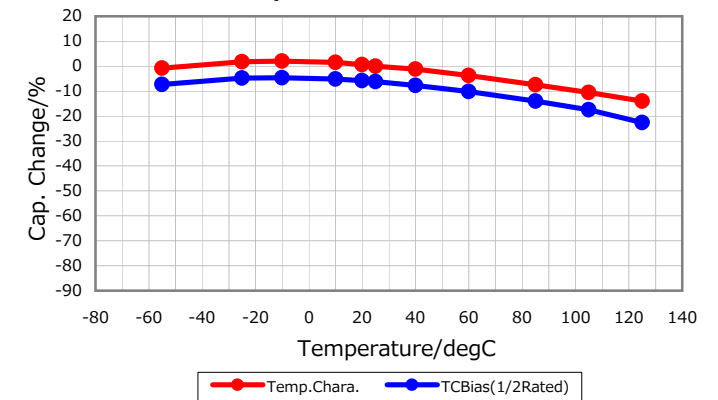
## DC Bias Characteristic



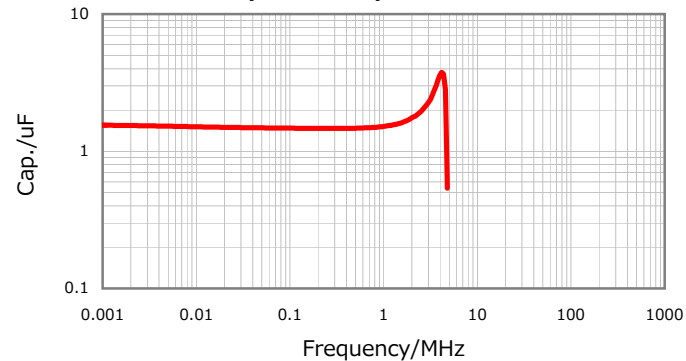
## |Z|, ESR vs. Freq. Characteristics



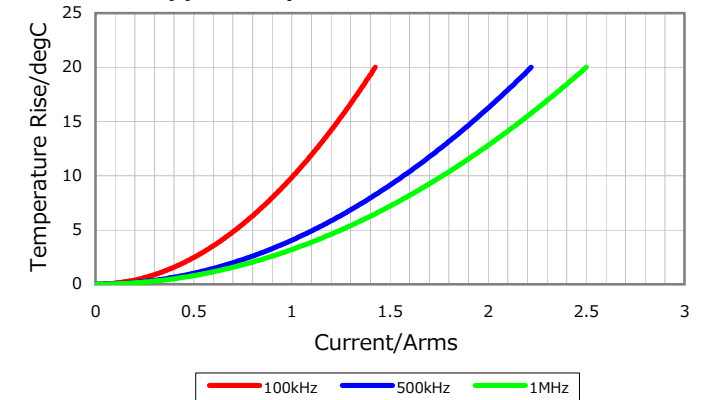
## Temperature Characteristics



## Cap. vs. Freq. Characteristic



## Ripple Temperature Rise Characteristics



Characterization Sheet ( Multilayer Ceramic Chip Capacitors )



All specifications are subject to change without notice.

January 4, 2016