

0 to 30 dB Variable Attenuator, SMA Female to SMA Female Rated to 5 Watts from 12.4 GHz to 18 GHz

## RF Variable Attenuators Datasheet

**PE7435-30**

### Features

- 30dB Attenuation Level
- Rotary Dial Design for Continuous Adjustment
- Frequency Range from 12.4GHz to 18GHz
- SMA Female Connectorized Design
- Max VSWR 1.6:1
- Max Power Rating: 5W (CW)

### Applications

- Instrumentation
- Precision Measurements
- Prototyping and Characterization
- Production Systems

### Description

Pasternack's PE7435-30 is a continuously variable attenuator that has 30 dB of total attenuation with rotary dial design for continuous attenuation level adjustment across a frequency range from 12.4 to 18GHz. With SMA female connectors, this RF variable attenuator design is tried and true technology that offers exceptional RF performance characteristics that include 1 dB maximum insertion loss and a maximum VSWR of 1.6:1. Continuously variable attenuators are part of Pasternack's comprehensive RF attenuator product offerings which are available in stock and ready for same-day shipment.

### Configuration

Design: Continuously Variable Attenuator  
 Body Material and Plating: Aluminum

### Electrical Specifications Values at 25°C, sea level

Description	Minimum	Typical	Maximum	Units
Frequency Range	12.4		18	GHz
Impedance		50		Ohms
Attenuation Value		0 to 30		dB
Input Power (CW)			5	Watts
Peak Power			3	kWatts
Insertion Loss			1	dB
VSWR			1.6:1	

### Mechanical Specifications

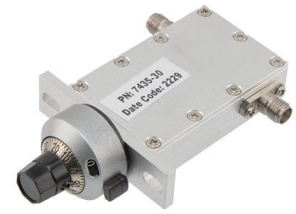
#### Temperature

Operating Range: -40 to +85 deg C

#### Size

Length: 3.07 in [77.98 mm]  
 Width: 1.99 in [50.55 mm]  
 Height: 0.5 in [12.7 mm]  
 Weight: 0.19 lbs [86.18 g]

Click the following link (or enter part number in "SEARCH" on website) to obtain additional part information including price, inventory and certifications: [0 to 30 dB Variable Attenuator, SMA Female to SMA Female Rated to 5 Watts from 12.4 GHz to 18 GHz PE7435-30](#)



0 to 30 dB Variable Attenuator, SMA Female to SMA Female Rated to 5 Watts from 12.4 GHz to 18 GHz

## RF Variable Attenuators Datasheet

**PE7435-30**

### Connectors

Description	Connector 1	Connector 2
Type	SMA Female	SMA Female
Contact Material and Plating	Beryllium Copper, Gold	Beryllium Copper, Gold
Body Material and Plating	Brass, Nickel	Brass, Nickel

**Compliance Certifications** (see [product page](#) for current document)

### Plotted and Other Data

Notes:

- Values at 25 °C, sea level

0 to 30 dB Variable Attenuator, SMA Female to SMA Female Rated to 5 Watts from 12.4 GHz to 18 GHz from Pasternack Enterprises has same day shipment for domestic and International orders. Our RF, microwave and millimeter wave products maintain a 99.4% availability and are part of the broadest selection in the industry.

Click the following link (or enter part number in "SEARCH" on website) to obtain additional part information including price, inventory and certifications: [0 to 30 dB Variable Attenuator, SMA Female to SMA Female Rated to 5 Watts from 12.4 GHz to 18 GHz PE7435-30](#)

URL: <https://www.pasternack.com/30db-continuously-variable-sma-female-sma-female-5-watts-attenuator-pe7435-30-p.aspx>

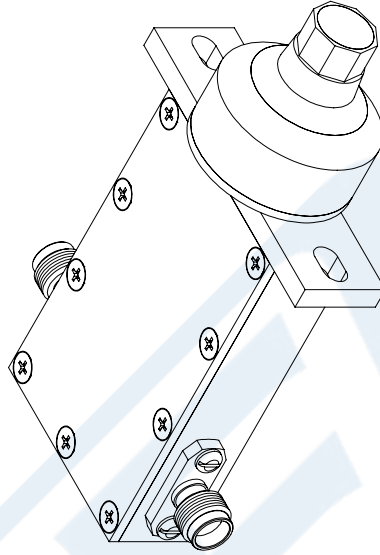
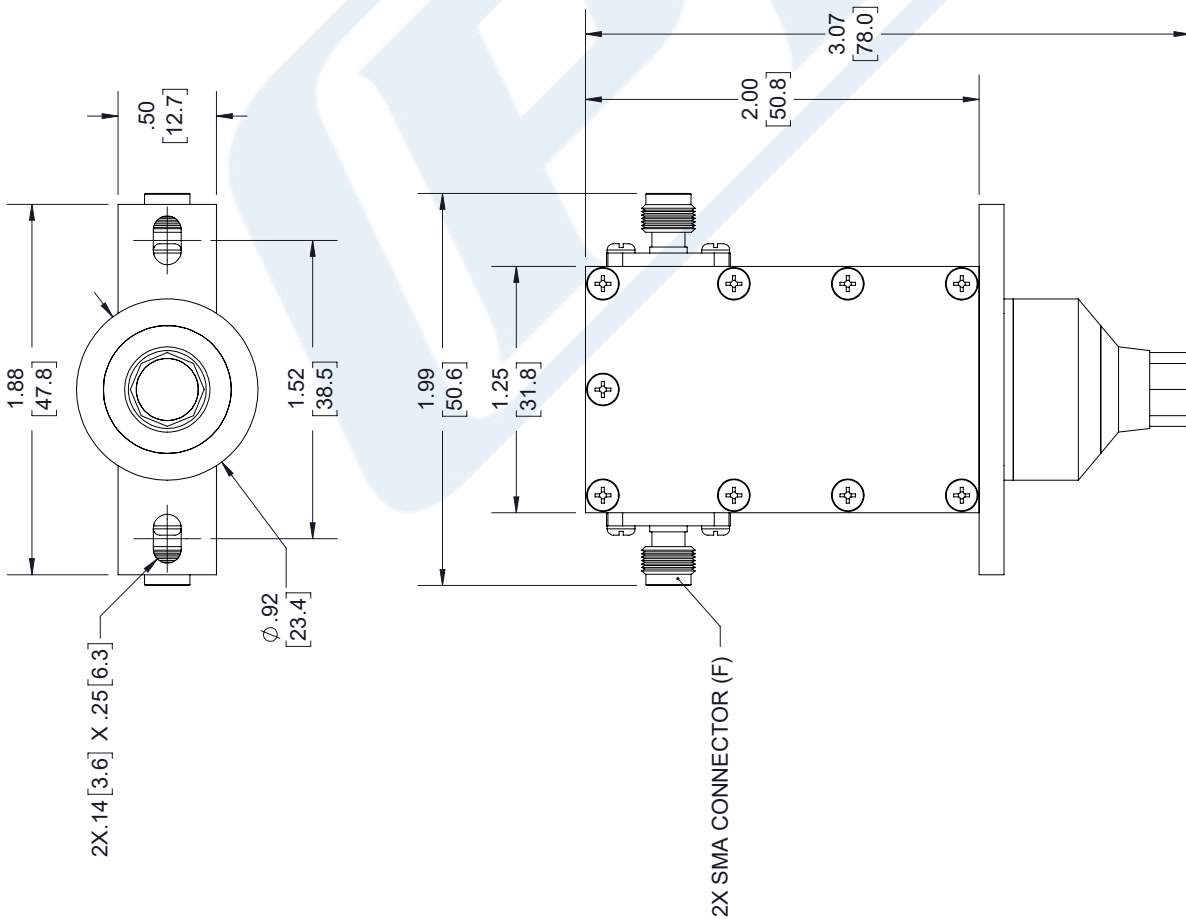
The information contained in this document is accurate to the best of our knowledge and representative of the part described herein. It may be necessary to make modifications to the part and/or the documentation of the part, in order to implement improvements. Pasternack reserves the right to make such changes as required. Unless otherwise stated, all specifications are nominal. Pasternack does not make any representation or warranty regarding the suitability of the part described herein for any particular purpose, and Pasternack does not assume any liability arising out of the use of any part or documentation.

# PE7435-30 CAD Drawing

0 to 30 dB Variable Attenuator, SMA Female to SMA Female

Rated to 5 Watts from 12.4 GHz to 18 GHz

REVISIONS			
REV.	DESCRIPTION	DATE	APPROVED
A	INITIAL RELEASE	02/15/2022	SPONG



UNLESS OTHERWISE SPECIFIED  
LEADING DIMENSIONS ARE INCHES  
DIMENSIONS IN [ ] ARE MILLIMETERS

TOLERANCES:  
 .X = ±.2 [5.08]    FRACTIONS ± 1/32  
 .XX = ±.02 [.51]    ANGLES ± 1°  
 .XXX = ±.005 [.13]

CABLE LENGTH (L) TOLERANCES:  
 L ≤ 12 [305] = +1 [25] / -0  
 12 [305] < L ≤ 60 [1524] = +2 [51] / -0  
 60 [1524] < L ≤ 120 [3048] = +4 [102] / -0  
 120 [3048] < L ≤ 300 [7620] = +6 [152] / -0  
 300 [7620] < L = +5%L / -0

ALL DIMENSIONS SHOWN  
ARE FOR REFERENCE ONLY.

**PE PASTERNAK**  
an INFINITI brand

Pasternack Enterprises, Inc.  
 P. O. Box 16759, Irvine, CA 92623.  
 Phone: 1.949.261.1920 | 1.866.727.8376  
 Fax: 1.949.261.7451  
 Website: www.pasternack.com  
 E-mail: sales@pasternack.com

ITEM NO. PE7435-30

THIRD-ANGLE PROJECTION

THE INFORMATION AND DESIGN IN THIS DOCUMENT IS THE PROPERTY OF PASTERNAK CORPORATION. ALL RIGHTS RESERVED.

SHEET 1 OF 1

SCALE N/A

REV A

THESE COMMODITIES, TECHNOLOGY OR SOFTWARE WERE EXPORTED FROM THE UNITED STATES IN ACCORDANCE WITH THE EXPORT ADMINISTRATION REGULATIONS. DIVERSION CONTRARY TO U.S. LAW PROHIBITED.