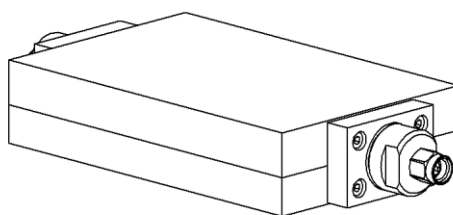
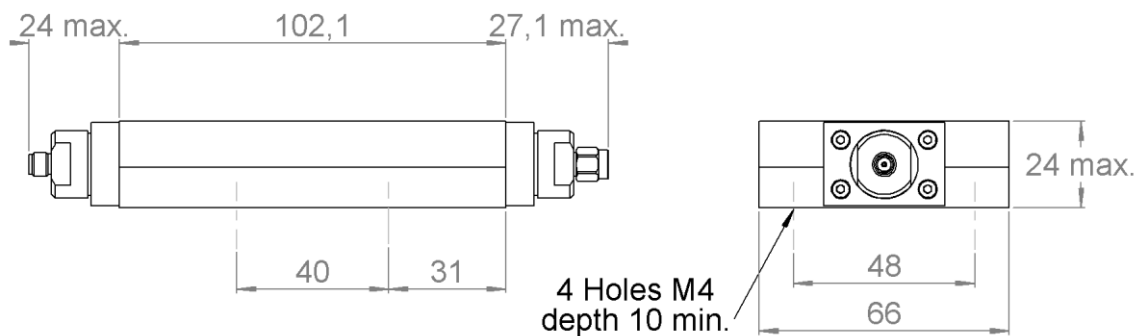
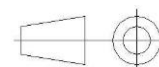


| | | | |
|----------|-----------------|-----------------------------|-------------------------------|
| PAGE 1/2 | ISSUE 17-08-18B | SERIES ATTENUATOR | PART NUMBER R417810138 |
|----------|-----------------|-----------------------------|-------------------------------|



All dimensions are in mm. Tolerances according ISO 2768 m-H



| COMPONENTS | MATERIALS | PLATING (μm) |
|-----------------------|-------------------------|------------------------------------------|
| Body | STAINLESS STEEL | PASSIVATED |
| Male center contact | BERYLLIUM COPPER | GOLD 0.5 OVER NICKEL PHOSPHORUS 2 |
| Female center contact | BERYLLIUM COPPER | GOLD 0.5 OVER NICKEL PHOSPHORUS 2 |
| Outer contact | | |
| Insulator | PTFE | |
| Gasket | SILICONE RUBBER | |
| Substrate | ALUMINA | |
| Resistor | THICK FILM | |
| Others parts | ALUMINIUM | BLACK PAINTING |

| | | | |
|----------|-----------------|----------------------|------------------------|
| PAGE 2/2 | ISSUE 17-08-18B | SERIES ATTENUATOR | PART NUMBER R417810138 |
|----------|-----------------|----------------------|------------------------|

ELECTRICAL CHARACTERISTICS

| | | |
|-----------------|--------|-------|
| Frequency (GHz) | DC - 1 | 1 - 2 |
| V.S.W.R (≤) | 1.10 | 1.25 |
| Deviation(±dB) | 1.0 | 1.0 |

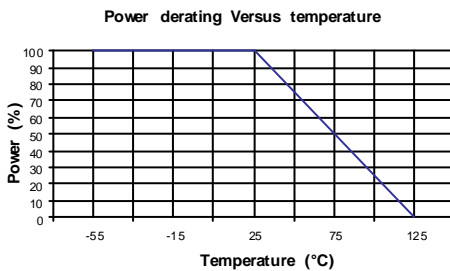
| | | |
|----------------------------------------------------------------------------------------|--------|-----------------------|
| Operating Frequency Range | DC - 2 | GHz |
| Impedance | 50 | Ω |
| Nominal Attenuation | 10 | dB |
| Peak power at 25°C (1μs, 1%) | 5000 | W |
| Average power at 25°C | | W (Free Air Cooled) |
| | 80 | W (Conduction Cooled) |
| For conduction cooling, a plate 1000 cm2 x 3 mm(156 sq.in*1/8) min. is required | | |

MECHANICAL CHARACTERISTICS

| | | | |
|------------|------------|-------------|-------------|
| Connectors | SMA | Male Female | MIL-C 39012 |
| Weight | 469,1400 g | | |

ENVIRONMENTAL CHARACTERISTICS

| | |
|-----------------------------|--------------|
| Operating temperature range | -55 /+125 °C |
| Storage temperature range | -55 /+125 °C |



SPECIFICATION

OTHER CHARACTERISTICS