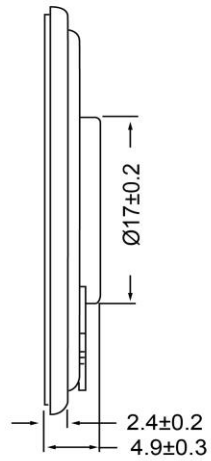
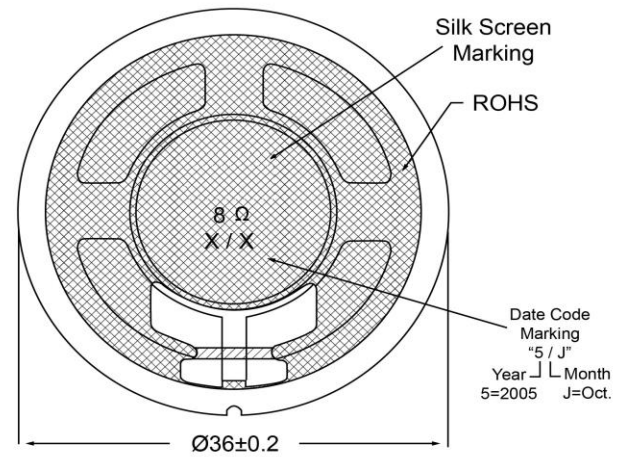



SIDE VIEW



BOTTOM VIEW



Specifications			Notes	Revision History					
Description	Value	Unit		Version	Description	Date	Approved		
Shape	Round		1) All dimensions are in mm unless otherwise noted 2) All parts meet RoHS  DB UNLIMITED	1	Released from Engineering	2/5/2014	J.S		
Resonant Frequency	500	(Hz)							
Frequency Range	500 ~ 10,000	(Hz)							
SPL @ 10cm	94	(dBA)							
Impedance	8	(Ohm)							
Cone Material	Mylar								
Nominal Power	0.25	(W)							
Max Power	0.5	(W)							
Mount Type	Flush Mount								
Operating Temperature	- 20 ~ + 60	°C							
Storage Temperature	- 30 ~ + 60	°C							
Weight	8.6	(g)							
				Dynamic Speaker		SM360508-5			
				Drawn by	Date	Checked by	Date	Approved by	Date
				G.W.	10/31/2013	C.E.	10/21/2013	J.S	2/5/2014