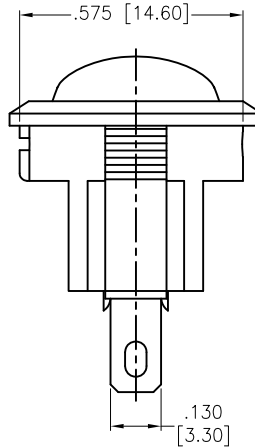
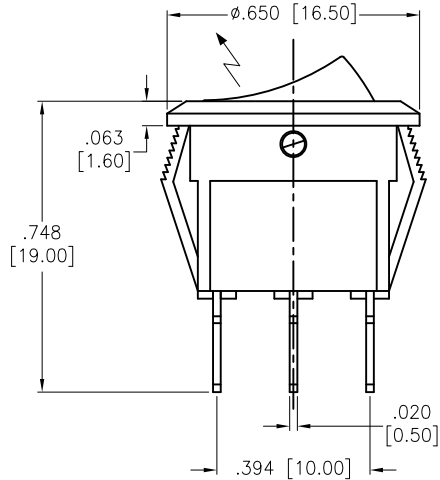
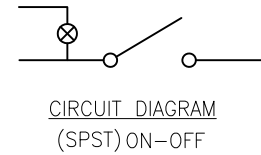
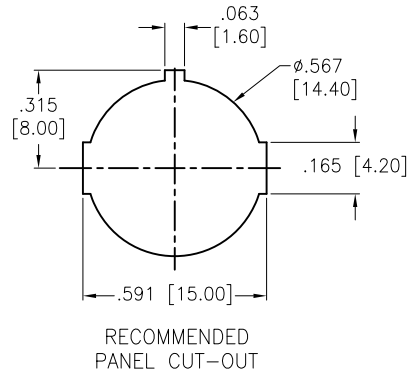
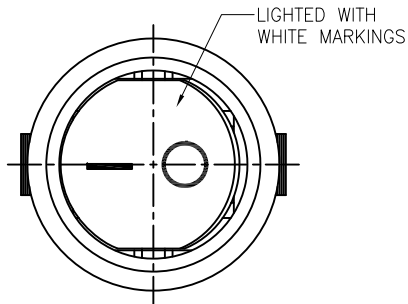


APPROVED: \_\_\_\_\_  
 DATE: \_\_\_\_\_ TITLE: \_\_\_\_\_

Rev	AWO #	Description	Date	Appr
-		RELEASED	11/3/20	
A		UPDATE SPEC.	8/31/21	JJ/RC



SW-R3-1A-A-LXX-2

	Lighted Actuator	Actuator Markings
W	Lighted White	1
R	Lighted Red	2
G	Lighted Green	3
Y	Lighted Yellow (Amber)	4
B	Lighted Blue	5
O	Lighted Orange	6

Replace "x" in P/N with the corresponding switch color and marking

**SPECIFICATIONS:**  
 Body: Nylon 66, Color Black, Rated UL 94V-0  
 Terminal: Brass, Silver plated  
 Button: Nylon 66, Lighted color (See Chart). White color markings  
 Electrical:  
 The rated load: 250V AC, 3A  
 125V AC, 6A  
 Contact resistance: 50 mohms max  
 Insulation resistance: 100 Mohms min  
 Dielectric withstanding voltage: 1500 VAC/5S min  
 Mechanical:  
 Electrical life: 10000 Cycles min  
 Temperature Rating:  
 Operating temperature: -25°C to +85°C  
 Environmental:  
 Lead free, RoHS compliant



UNLESS OTHERWISE SPECIFIED ALL DIMENSIONS ARE INCHES [MM] TOLERANCES: EXCEPT AS NOTED INCHES HOLES .X ± .10 Ø.X ± .10 .XX ± .020 Ø.XX ± .015 .XXX ± .015 Ø.XXX ± .010		<b>ADAM TECH</b> 909 Rahway Avenue, Union, NJ 07083 Phone: 908-687-5000 Fax: 908-687-5710	
APPROVALS DRAWN OW 11/3/20 CHECKED AC 11/3/20 APPROVED		TITLE SWITCH, SUB MINIATURE ROCKER, SPST, ON-OFF, SOLDER TYPE, LIGHTED SIZE X PART NO. SW-R3-1A-A-LXX-2 REV. A REF: - SCALE: NTS SHEET 1 OF 1	