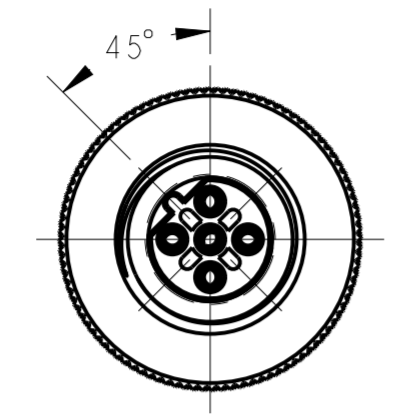
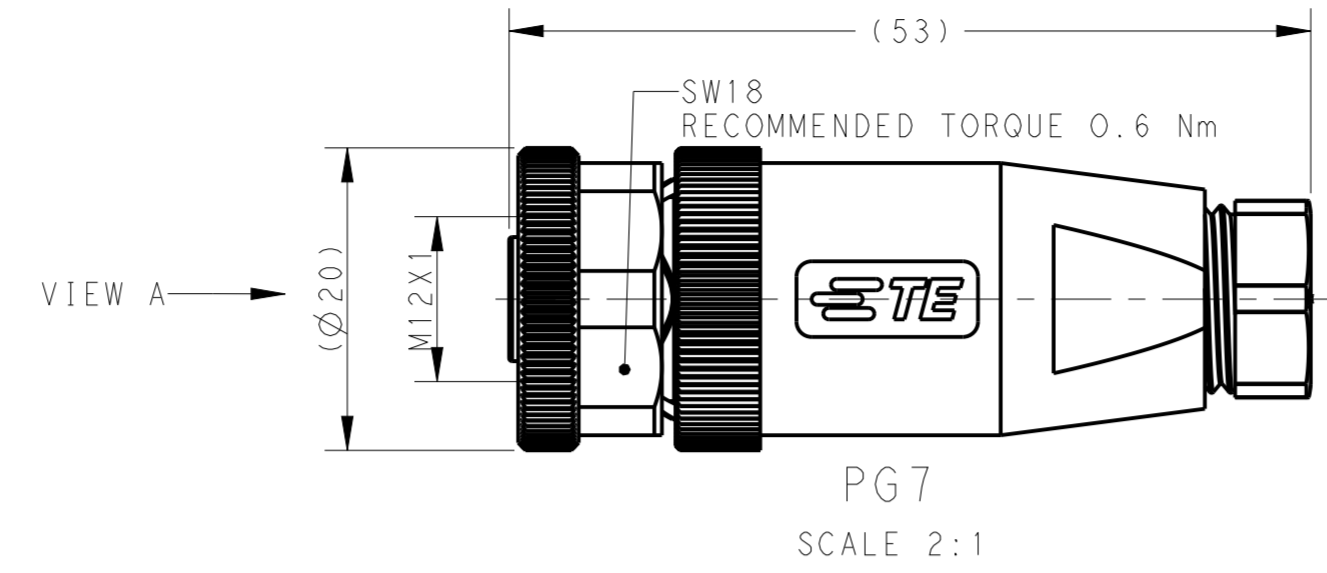


THIS DRAWING IS UNPUBLISHED. RELEASED FOR PUBLICATION 20  
 © COPYRIGHT 20 BY - ALL RIGHTS RESERVED.

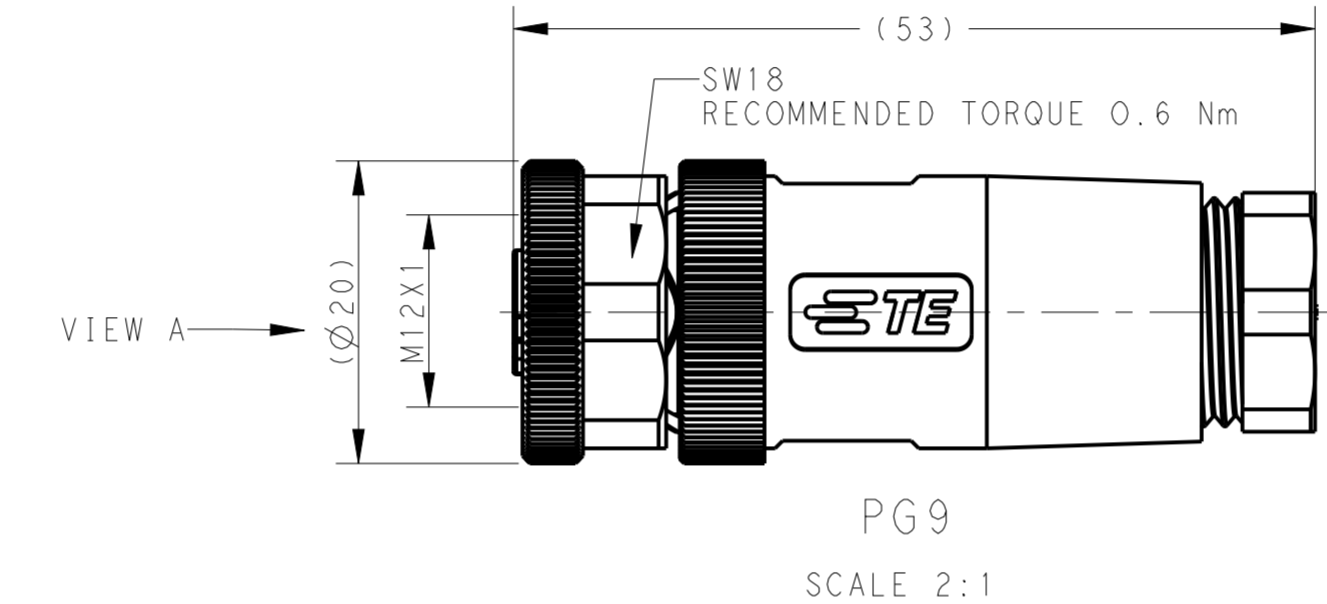
REVISIONS					
P	LTR	DESCRIPTION	DATE	DWN	APVD
A		INITIAL RELEASE	08JUL2015	NP	XX
A1		ECR-15-018715 ADD 114SPEC.	29DEC2015	NP	XX
A2		ECR-20-012708 ADD PG9 MODEL	11SEP2020	S.C	C.W



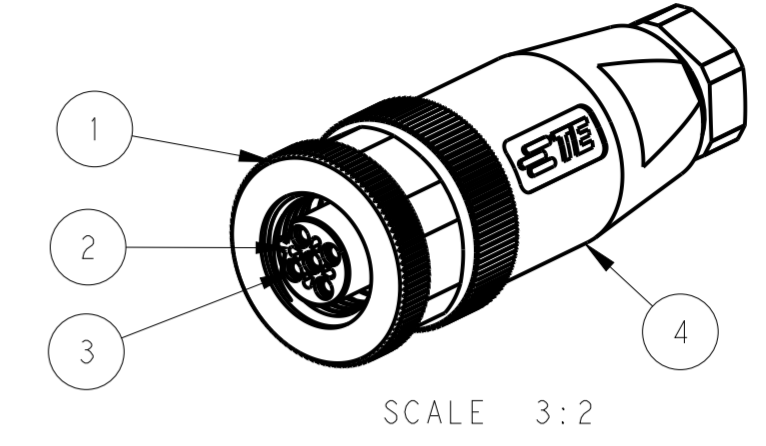
VIEW A  
DETAIL SEE TABLE 1



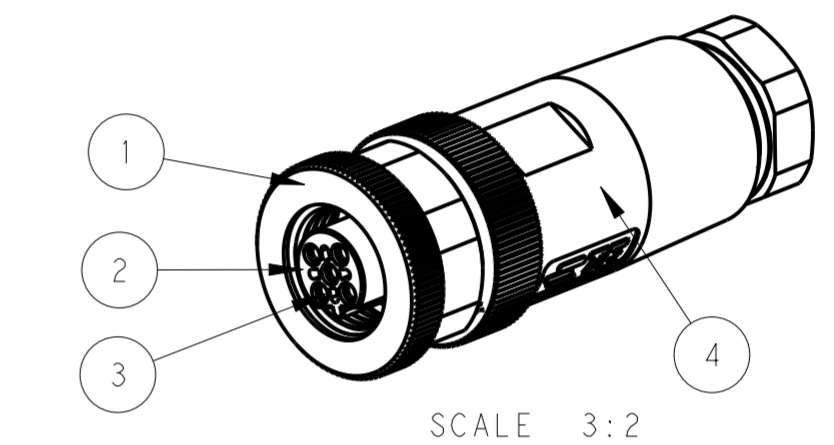
PG7  
SCALE 2:1



PG9  
SCALE 2:1



SCALE 3:2



SCALE 3:2

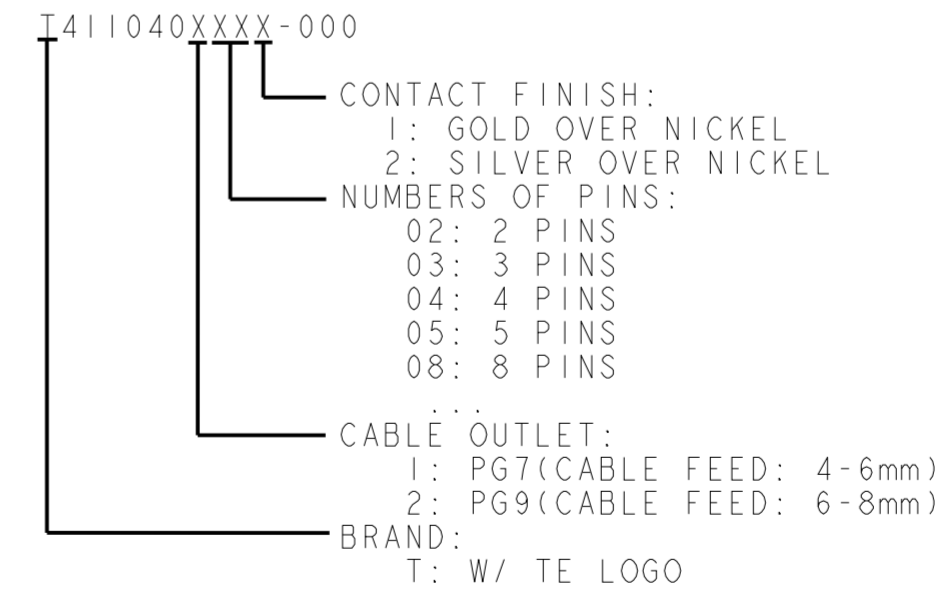
TECHNICAL DATA	T411040X02X-000	T411040X03X-000	T411040X04X-000	T411040X05X-000
RATED VOLTAGE	250V	250V	250V	60V
RATED CURRENT	4A	4A	4A	4A
POLLUTION DEGREE	3	3	3	3
OVERVOLTAGE CATEGORY	II	II	II	II
MATERIAL GROUP	II	II	II	II
CONTACT RESISTANCE	≤8mΩ	≤8mΩ	≤8mΩ	≤8mΩ
INSULATION RESISTANCE	>100MΩ	>100MΩ	>100MΩ	>100MΩ
DEGREE OF PROTECTION	IP67	IP67	IP67	IP67
OPERATION TEMPERATURE	-40~85°C	-40~85°C	-40~85°C	-40~85°C

- NOTE:
- MATERIAL:  
 ITEM NO.1:NUT -BRASS  
 ITEM NO.2:HOUSING -PA  
 ITEM NO.3:CONTACT -BRONZE  
 ITEM NO.4: HOUSING BODY: -PBT+GF
  - CONTACT FINISH:  
 GOLD OVER NICKEL OR SILVER OVER NICKEL
  - CABLE WIRES:  
 18AWG/0.75mm<sup>2</sup> Max. FOR 2-5 PINS
  - ALLDIMENSIONS ARE FOR NOMINAL REFERENCE ONLY UNLESS OTHERWISE STATED
  - PACKAGEING: IPIECE IN A BAG
  - PN INFORMATION

TABLE 1 PIN ARRANGEMENT B-CODE

T411040X02X-000	T411040X03X-000	T411040X04X-000
T411040X05X-000		

T4110402051-000	RPC-M12B-FS-5CON-PG9-MU
T4110401051-000	RPC-M12B-FS-5CON-PG7-MU
T4110402052-000	RPC-M12B-FS-5CON-PG9-M
T4110401052-000	RPC-M12B-FS-5CON-PG7-M
T4110402041-000	RPC-M12B-FS-4CON-PG9-MU
T4110401041-000	RPC-M12B-FS-4CON-PG7-MU
T4110402042-000	RPC-M12B-FS-4CON-PG9-M
T4110401042-000	RPC-M12B-FS-4CON-PG7-M
T4110402031-000	RPC-M12B-FS-3CON-PG9-MU
T4110401031-000	RPC-M12B-FS-3CON-PG7-MU
T4110402032-000	RPC-M12B-FS-3CON-PG9-M
T4110401032-000	RPC-M12B-FS-3CON-PG7-M
T4110402021-000	RPC-M12B-FS-2CON-PG9-MU
T4110401021-000	RPC-M12B-FS-2CON-PG7-MU
T4110402022-000	RPC-M12B-FS-2CON-PG9-M
T4110401022-000	RPC-M12B-FS-2CON-PG7-M
TE PN	SIBAS PN



THIS DRAWING IS A CONTROLLED DOCUMENT.		DWN HAO WANG 08JAN2015	TE Connectivity	
DIMENSIONS: mm		CHK KOBBY ZHAO 08JAN2015		
TOLERANCES UNLESS OTHERWISE SPECIFIED: 0 PLC ± 1 PLC ±0.2 2 PLC ±0.2 3 PLC ± 4 PLC ± ANGLES ± FINISH		APVD XIANG XU 08JAN2015	NAME M12 FEMALE, B CODE, STRAIGHT UNSHIELDED CONNECTOR SCREW TERMINAL	
MATERIAL TBD		PRODUCT SPEC 108-106140	SIZE A2	CAGE CODE -
		APPLICATION SPEC 114-137144	DRAWING NO G-T411040XXXX000	RESTRICTED TO -
		WEIGHT -	SCALE 2:1	SHEET 1 OF 1
		Customer Drawing	REV A2	