



EVC250 PCN 2/2018

All EV250 400V and 800V types



Berlin, 11.10.2018

EVERY CONNECTION COUNTS



PCN Content parts

Contact Carrier	-C225	Replaced by -C625
Contact Chamber	-B220	progressive tool/incremental tool
Cover Plate	-C335	progressive tool/incremental tool

Contact Carrier –C225 (improved breaking capability)

Old state –C225

Carrier length 11 mm



New state –C625

Carrier length 10 mm from the 800V variant

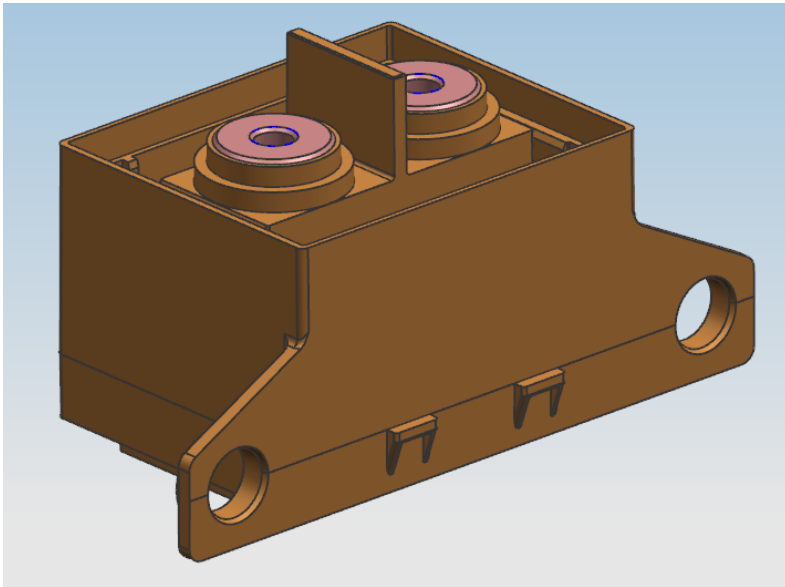
- ⇒ 1mm wider contact gap
- ⇒ Higher reverse capability



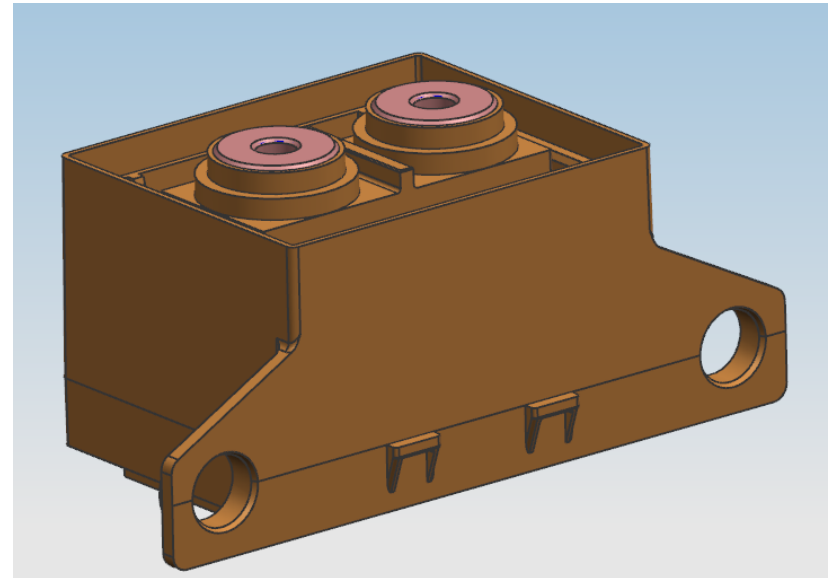
No impact on pull-in voltage

	Nr.	Datum	U_an	U_rueck
single coil	180327001	27/Mar/2018	4,6	0,7
	180327002	27/Mar/2018	4,5	0,6
	180327003	27/Mar/2018	4,5	0,5
	180327004	27/Mar/2018	4,5	0,7
	180327005	27/Mar/2018	4,5	0,8
	180327006	27/Mar/2018	4,5	0,7
double coil	180327007	27/Mar/2018	6,3	2,3
	180327008	27/Mar/2018	6,5	1,8
	180327009	27/Mar/2018	6,3	2,7
	180327010	27/Mar/2018	6,2	1,8
	180327011	27/Mar/2018	6,0	2,0
	180327012	27/Mar/2018	6,5	2,4

Contact Chamber –B220



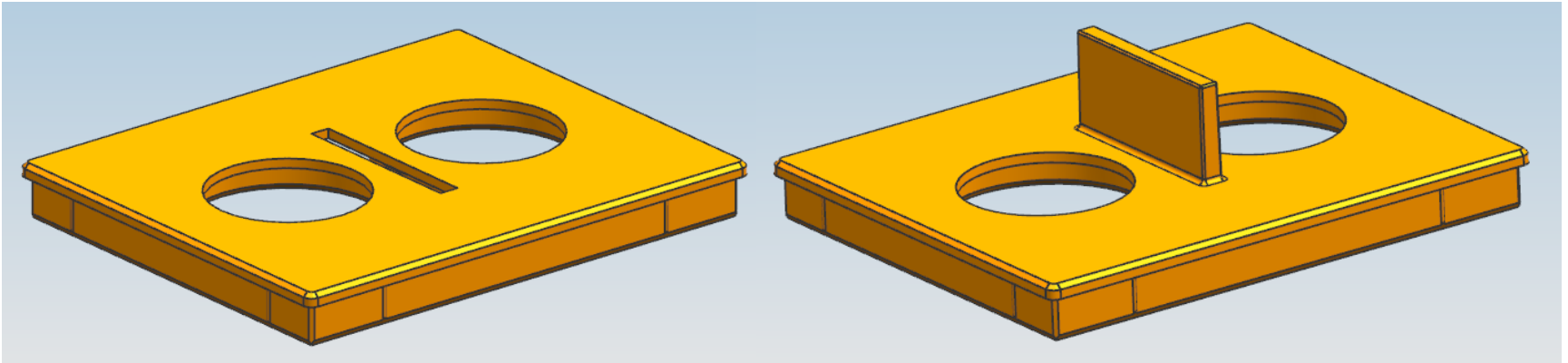
Old state:



New state

Spacer ripp will move to Cover Plate

Cover Plate –C335



Old state:

Material PA66-GF25

New state

Spacer ripp in Cover Plate