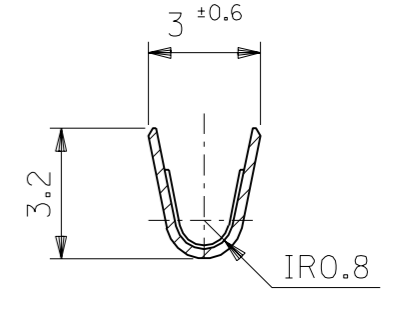
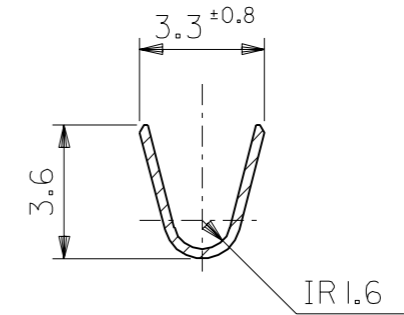
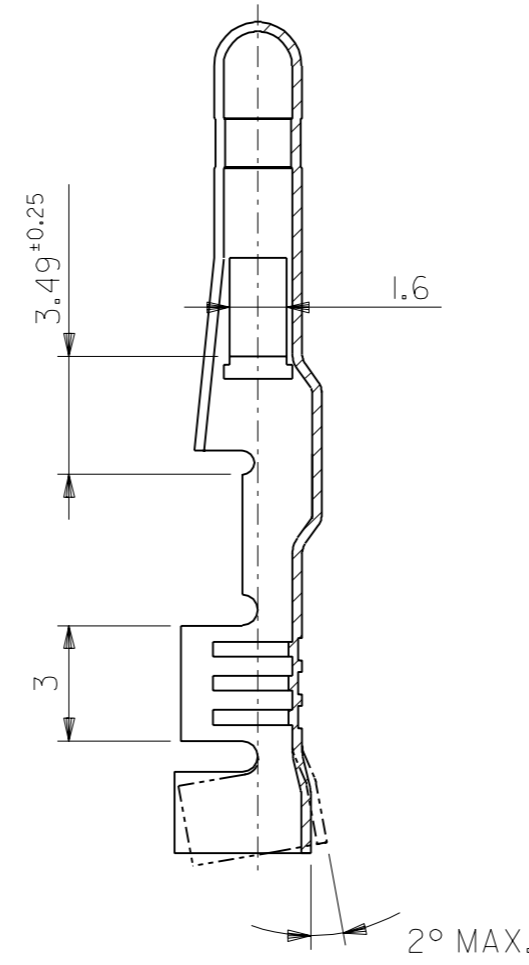
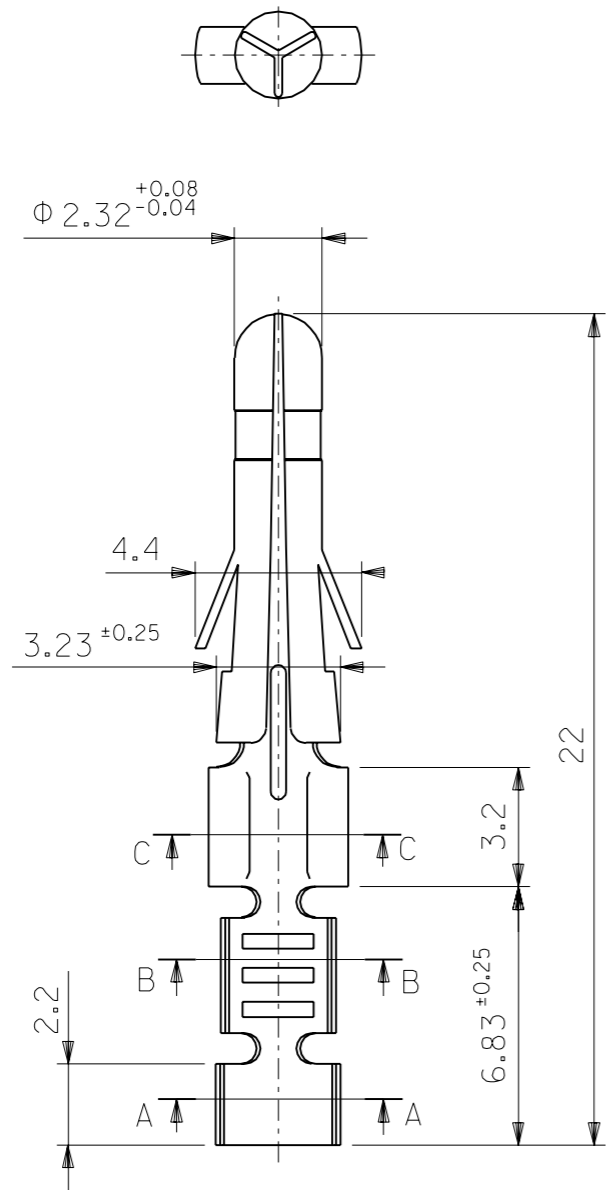


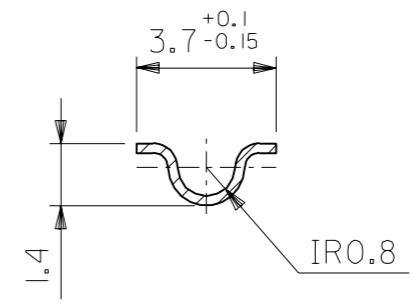
DWG. NO. SD-1380*

ALL DIMENSIONS IN METRIC DO NOT SCALE DRAWING



SECT. A-A

SECT. B-B



SECT. C-C

ニッケル (2 μm MIN.) 下地	39-00-0306	I380GL	バラ端子 LOOSE
金 (0.35 μm MIN.) OVER	39-00-0305	I380G	連鎖状端子 CHAIN
NICKEL (2 μm MIN.)			
銅 (3 μm MIN.) 下地	39-00-0304	I380T2L	バラ端子 LOOSE
錫 (0.5 μm MIN.) OVER	39-00-0303	I380T2	連鎖状端子 CHAIN
TIN (0.5 μm MIN.) OVER			
COPPER (3 μm MIN.)			
銅 (0.5 μm MIN.) 下地	39-00-0302	I380TL	バラ端子 LOOSE
錫 (0.9 μm MIN.) OVER	39-00-0283	I380T	連鎖状端子 CHAIN
TIN (0.9 μm MIN.) OVER			
COPPER (0.5 μm MIN.)			
メッキ PLATING	EDP.NO.	ENG.NO.	形状 FORM

注記 NOTES:
1. 一般公差 : ±0.4
GENERAL TOLERANCES: ±0.4

角度 ANGLE	±3°
30 以上 OVER	±0.3
10 以上 30 未満 OVER 30 UNDER	±0.25
10 未満 UNDER	±0.2
一般公差 GENERAL TOLERANCES	H

材料 MATERIAL	黄銅 BRASS 0.264 t
仕上げ FINISH	—
適用電線範囲 WIRE RANGE	AWG#18-#24
被覆外径 INS. RANGE	Φ1.5 ~ 3.1
DRAWN BY '93/06/18	CHK'D BY '93/06/18
H.HASEGAWA	H.HIRAMOTO
APP'D BY '93/06/18	尺度 SCALE 5 : 1
M.FUKUSHIMA	

材料 MATERIAL		黄銅 BRASS 0.264 t	
仕上げ FINISH		—	
適用電線範囲 WIRE RANGE		AWG#18-#24	
被覆外径 INS. RANGE		Φ1.5 ~ 3.1	
DRAWN BY '93/06/18		CHK'D BY '93/06/18	
H.HASEGAWA		H.HIRAMOTO	
APP'D BY '93/06/18		尺度 SCALE 5 : 1	
M.FUKUSHIMA			
材料 MATERIAL		黄銅 BRASS 0.264 t	
仕上げ FINISH		—	
適用電線範囲 WIRE RANGE		AWG#18-#24	
被覆外径 INS. RANGE		Φ1.5 ~ 3.1	
DRAWN BY '93/06/18		CHK'D BY '93/06/18	
H.HASEGAWA		H.HIRAMOTO	
APP'D BY '93/06/18		尺度 SCALE 5 : 1	
M.FUKUSHIMA			
材料 MATERIAL		黄銅 BRASS 0.264 t	
仕上げ FINISH		—	
適用電線範囲 WIRE RANGE		AWG#18-#24	
被覆外径 INS. RANGE		Φ1.5 ~ 3.1	
DRAWN BY '93/06/18		CHK'D BY '93/06/18	
H.HASEGAWA		H.HIRAMOTO	
APP'D BY '93/06/18		尺度 SCALE 5 : 1	
M.FUKUSHIMA			